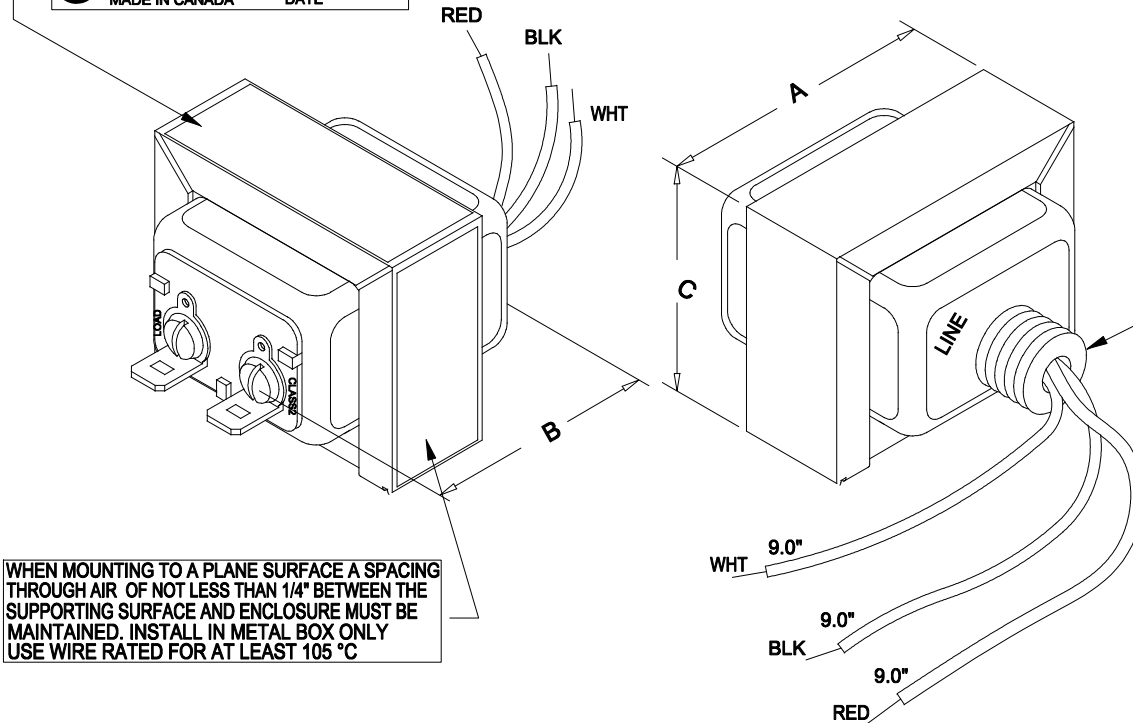
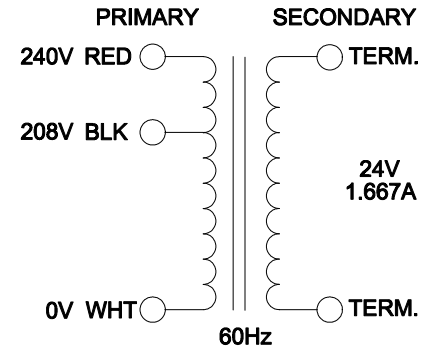


DIMENSIONS:	
A	2.33" ±0.063
B	2.60" ±0.125
C	1.98" ±0.063

BE5DG
 PRI WHT - BLK 208V 60Hz
 PRI WHT - RED 240V 60Hz
 SEC 24V 40VA
 CLASS 2 NOT WET, CLASS 3 WET
 CLASS 2 XFMR, CLASS 3 XFMR
 MADE IN CANADA
 LISTED 1PAD
 U L U S
 ED



WHEN MOUNTING TO A PLANE SURFACE A SPACING THROUGH AIR OF NOT LESS THAN 1/4" BETWEEN THE SUPPORTING SURFACE AND ENCLOSURE MUST BE MAINTAINED. INSTALL IN METAL BOX ONLY USE WIRE RATED FOR AT LEAST 105 °C

ELECTRICAL DATA:		
TESTS	CONDITIONS	ACCEPTANCE CRITERIA
Iex	@ 240V, 60Hz, WHT - RED	75mA Max.
Sec. N.L.V	@ 240V, 60Hz, WHT - RED	
	WHT - BLK =	208.0V ±2%
	TER - TER =	27.88V ±2%
DCR	@ 20°C, WHT - RED =	85.77 Ω ±20%
	@ 20°C, TER - TER =	0.782 Ω ±20%
HIPOT	PRIMARY - SECONDARY	2000V, 60Hz, 1 SEC

REV.#	REVISION	DATE	HAMMOND ELECTRONIC DIVISION		
0	RELEASED. C.I.	09/16/15	52 RANKIN PLACE, WATERLOO, ONTARIO, N2J 3Z5		
			PH # (519) 886-6181		DWG. NO. BE5DG
			FAX # (519) 886-9540		
			DWG. BY: C. ILIE	CHK'D BY:	TITLE: CLASS 2 ENERGY LIMITING TX.
			DATE: 09/16/15	APP'D. BY:	
				DIMENSIONS: IN(X) MM()	