


**VS-PPC-C1-RJ45-POBK-PG9-8Q5**

Order No.: 1657834

<http://eshop.phoenixcontact.de/phoenix/treeViewClick.do?UID=1657834>

RJ45 connector, IP67, with push/pull interlocking, plastic housing, 1 Gbps, 8-pos., QUICKON fast connection technology, for 26 ... 24 AWG 1-wire and 7-wire conductors

**PROFI  
NET****Commercial data**

GTIN (EAN)	 4 046356 131902
sales group	D512
Pack	1 pcs.
Customs tariff	85366990
Catalog page information	Page 194 (PC-2009)

**Product notes**

WEEE/RoHS-compliant since:  
01/01/2008



<http://www.download.phoenixcontact.com>  
Please note that the data given here has been taken from the online catalog. For comprehensive information and data, please refer to the user documentation. The General Terms and Conditions of Use apply to Internet downloads.

**Technical data****Mechanical characteristics**

Number of positions	8
Connection profile	RJ45 in acc. with IEC PAS 61076-3-117
Locking type	Push Pull
Shielded	Yes

Insertion/withdrawal cycles	≥ 500
Type of connection	IDC fast connection
Conductor cross-section	0.13 mm <sup>2</sup> ... 0.32 mm <sup>2</sup> (solid) 0.14 mm <sup>2</sup> ... 0.36 mm <sup>2</sup> (stranded)
Connection cross-section AWG	26 ... 22 (solid) 26 ... 22 (stranded)
External cable diameter	5 mm ... 8 mm
Cable exit	Straight
Color	black
Ambient temperature (operation)	-40 °C ... 70 °C

#### Material data

Inflammability class acc. to UL 94	V0
Housing material	PA-GF
Contact carrier material	PC
Contact material	Copper alloy
Contact surface material	Gold over nickel
Material	Plastic
Material, O-ring	NBR
Cable seal material	TPE
Material, housing intermediate seal	NBR
Degree of protection	IP65/67

#### Electrical characteristics

Number of positions	8
Transmission characteristics (category)	CAT5 (IEC 11801:2002), CAT5e (TIA 568B:2001)
Rated current	1.75 A
Surge voltage category	I
Pollution degree	2

#### Certificates / Approvals

Certification CUL, UL

### Accessories

Item	Designation	Description
------	-------------	-------------

#### Marking

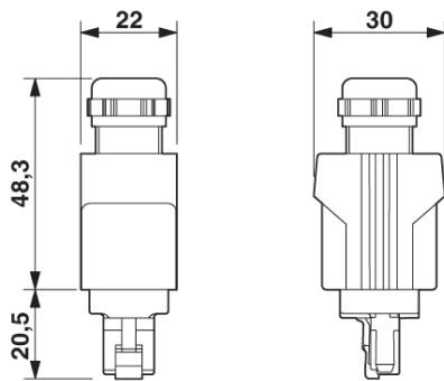
0814775	VS-ZBFM-8-SET	Marker label set, consisting of 4 sheets (white, blue, yellow, orange) each with 50 labels for color marking of sleeve housings and panel mounting frames with IP67 protection
---------	---------------	--

#### Tools

1657407	VS-CABLE-STRIP-VARIO	Stripping tool, for the multi-level stripping of shielded cables
---------	----------------------	--

### Diagrams/Drawings

Dimensioned drawing



Push-pull RJ45 connector IP65/67

**Address**

PHOENIX CONTACT Deutschland GmbH  
Flachmarktstr. 8  
32825 Blomberg, Germany  
Phone +49 5235 3 12000  
Fax +49 5235 3 41200  
<http://www.phoenixcontact.de>



© 2011 Phoenix Contact  
Technical modifications reserved;