

**92** mm sq.

# San Ace 92W

25mm thick, 25mm thick(WS type),  
25mm thick(WP type), 25mm thick(WP type)



- General Specifications** With a pulse sensor Specifications for pulse sensors ⇔ Refer to Page 297
- Material ..... Frame: Aluminum, Impeller:Plastics (Flammability: UL94V-1)
  - Expected Life ..... Varies for each model(Indoor, L10:Survival rate: 90% at 60°C , rated voltage,and continuously run in a free air state)
  - Lead Wire ..... ⊕red ⊖black or blue Sensor yellow
  - Storage Temperature ..... -30°C to +70°C (Non-condensing)

**92×92×25**mm (Mass : 190g)

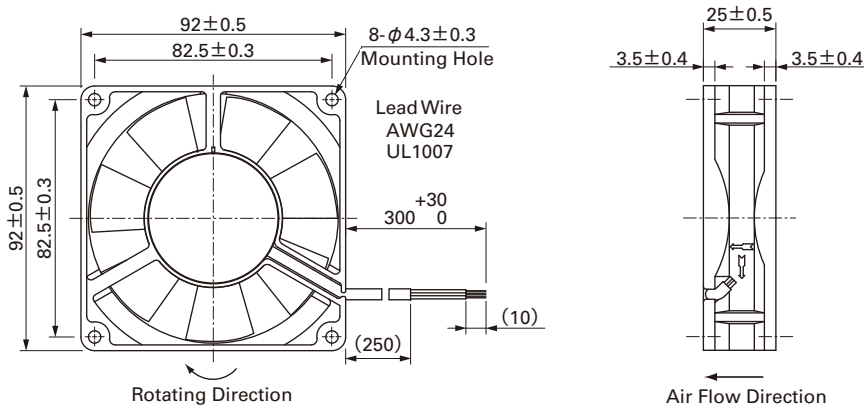
**IP 55** Dust resistant device with protection against water jets

## Specifications

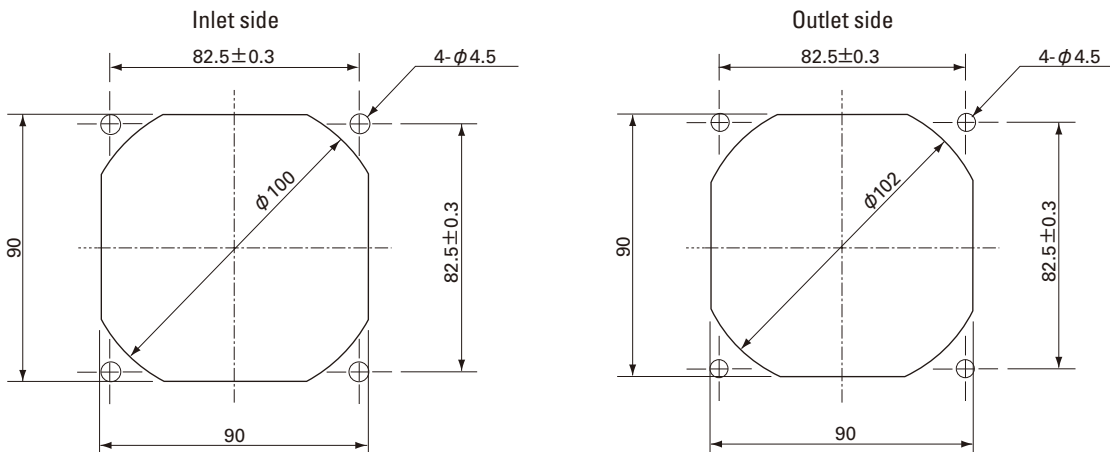
Model No.	Rated Voltage [V]	Operating Voltage Range [V]	Rated Current [A]	Rated Input [W]	Rated Speed [min <sup>-1</sup> ]	Max. Air Flow [m <sup>3</sup> /min] [CFM]	Max. Static Pressure [Pa] [inchH <sub>2</sub> O]	SPL [dB(A)]	Operating Temperature [°C]	Expected Life [h]
109W0912H401-U	12	10.2 to 13.8	0.21	2.52	2,850	1.38	48.7	45.1	0.181	33
109W0912F401-U			0.14	1.68	2,450	1.18	41.7	32.3	0.130	30
109W0912M401-U			0.11	1.32	2,100	1.01	35.7	23.5	0.094	27
109W0912L401-U			0.08	0.96	1,700	0.80	28.2	16.7	0.067	23
109W0924H401-U	24	20.4 to 27.6	0.12	2.88	2,850	1.38	48.7	45.1	0.181	33
109W0924F401-U			0.08	1.92	2,450	1.18	41.7	32.3	0.130	30
109W0924M401-U			0.06	1.44	2,100	1.01	35.7	23.5	0.094	27
109W0924L401-U			0.05	1.2	1,700	0.80	28.2	16.7	0.067	23
109W0948H401-U	48	40.8 to 55.2	0.06	2.88	2,850	1.38	48.7	45.1	0.181	33

Without Sensor Pulse Sensor Available in all models. Lock Sensor Please inquire as the availability of these functions depend on the model.

## Dimensions (Unit : mm)



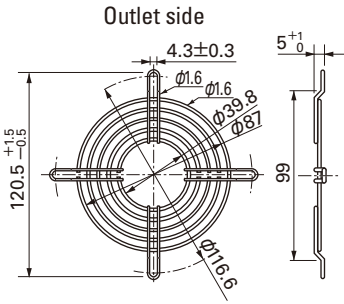
## Reference dimension of mounting holes and vent opening (Unit : mm)



## Options (Unit : mm)

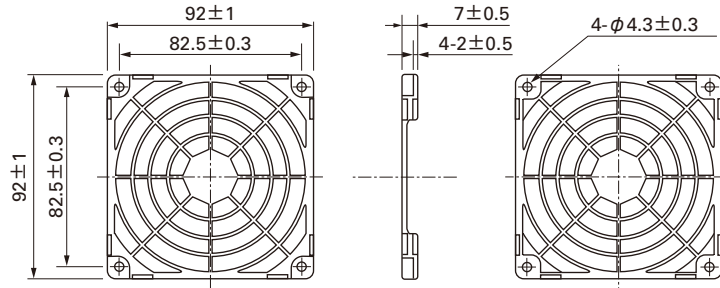
### Finger guards

Model : 109-099C Surface treatment : Nickel-chrome plating (silver) Color



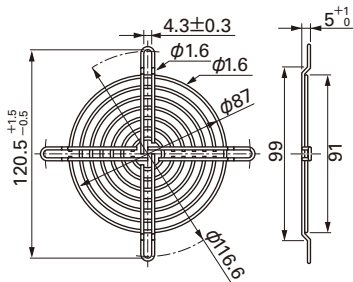
### Resin Finger guards

Model : 109-1001G

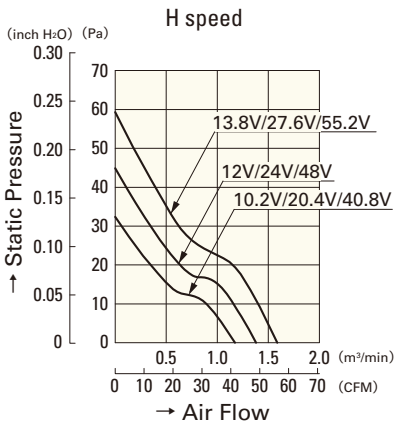


Model : 109-099E Surface treatment : Nickel-chrome plating (silver) Color  
: 109-099H : Cation electropainting (black)

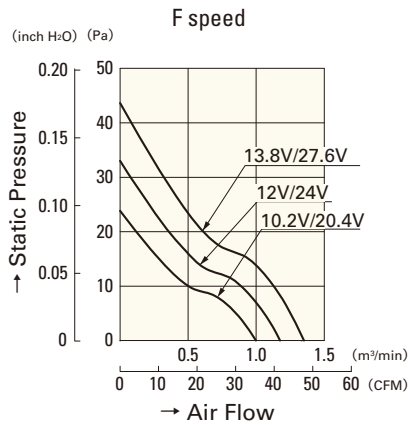
### Inlet side, Outlet side



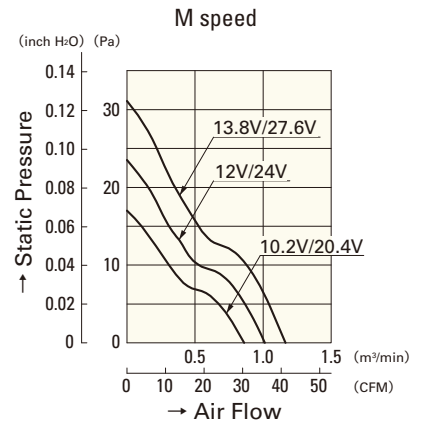
## Air Flow - Static Pressure Characteristics



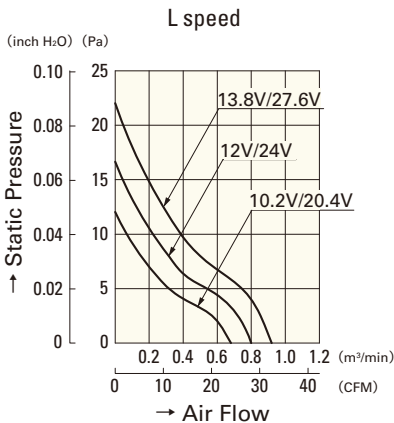
**109W0912H401-U**  
**109W0924H401-U**  
**109W0948H401-U**



**109W0912F401-U**  
**109W0924F401-U**



**109W0912M401-U**  
**109W0924M401-U**



**109W0912L401-U**  
**109W0924L401-U**