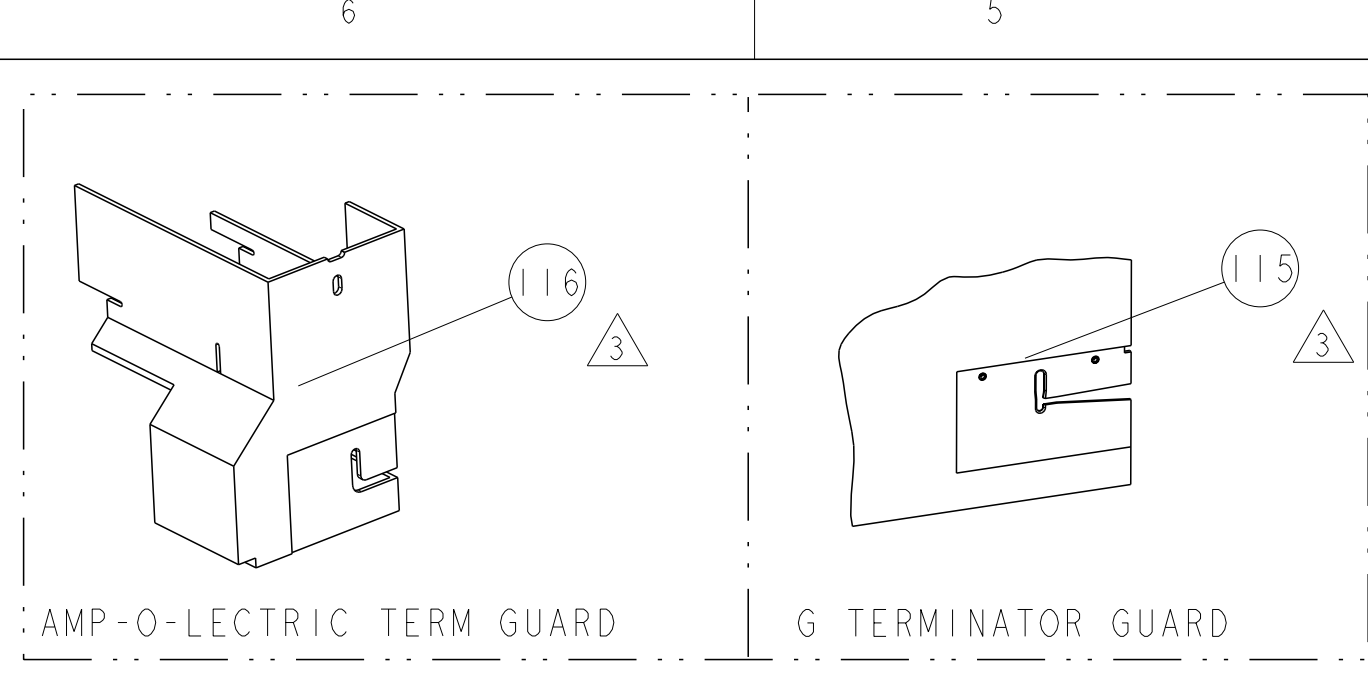


PART NUMBER	REV	FIRST USED	POWER UNIT	FEED TYPE	DESCRIPTION
1855476-1	B	122500-1	LEADMAKER	AIR FEED	CUTS CARRIER
1855476-2	B	565435-5	BENCH MODEL K	AIR FEED	CUTS CARRIER
1855476-3	B	354500-1	BENCH MODEL G	AIR FEED	CUTS CARRIER
1855476-6	B	122500-1	LEADMAKER	AIR FEED	CONTINUOUS CARRIER
7-1855476-7	A	-	-	-	SPARE PARTS

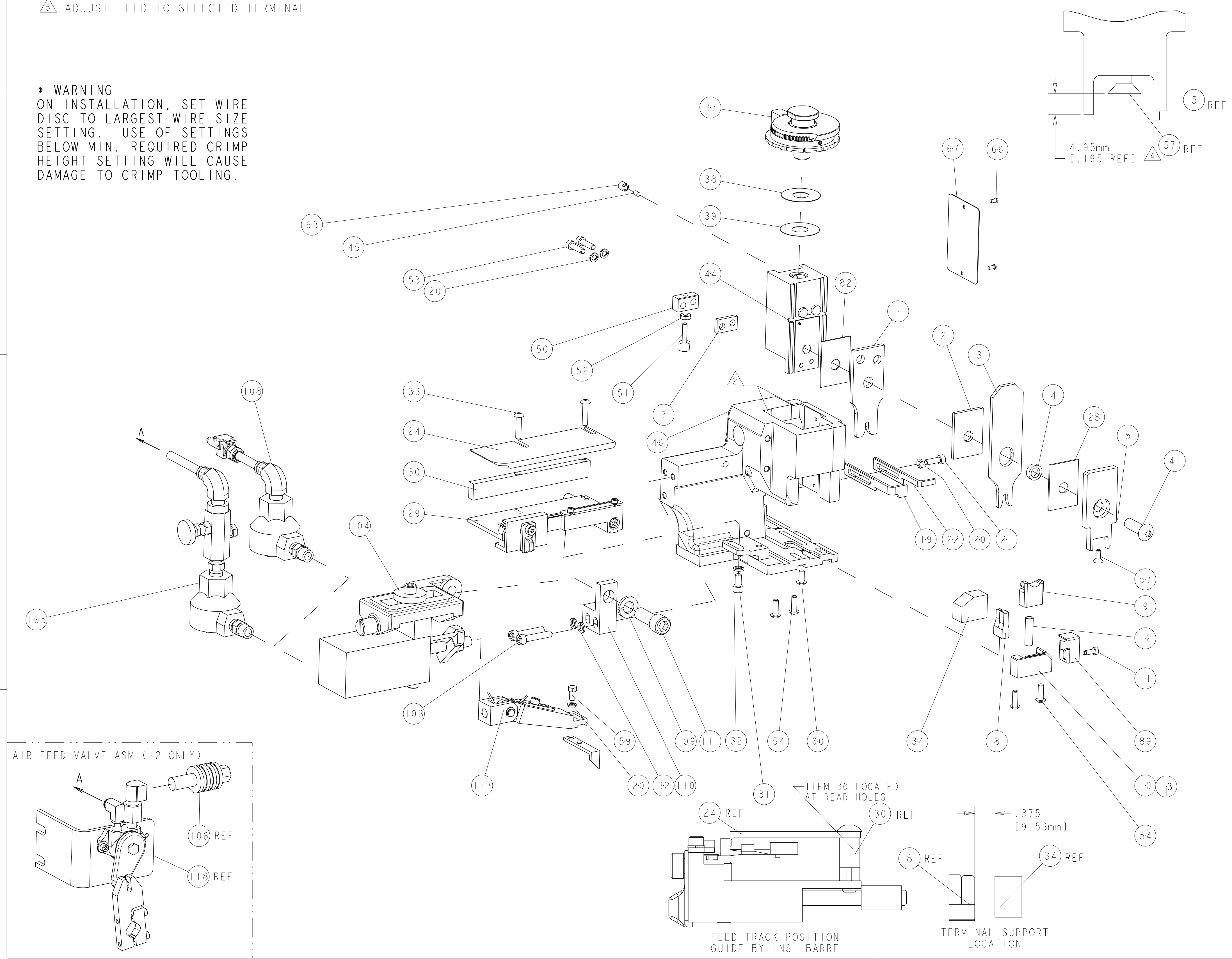


TERMINAL NAME: 6.3mm YESC SEALED TERMINAL					
TE PN	YAZAKI	FEED	YAZAKI TERMINAL - YAZAKI CRIMP SPECS		
1572594	7116-4140-02	22.0	CRIMP HEIGHT		
1572595	7114-4140-02	17.7	WIRE SIZE		
-	-	-	1.50mm+ .05/- .05 [.059+ .002/- .002]	1mm2	B6
-	-	-	1.40mm+ .05/- .05 [.055+ .002/- .002]	0.75mm2	C8
-	-	-	1.30mm+ .05/- .05 [.051+ .002/- .002]	0.5mm2	D8
-	-	-	-	-	-
SEAL PN	CRIMP	SIZE	TYPE	RANGE	
1572596	7158-3081-50	WIRE	2.54mm [.100]	F	0.5-1mm2
-	-	INSUL	3.00mm [.118]	O	∅ 4.00 MAX
WIRE STRIP LENGTH	TERM APPL SPEC	APPLICATOR INSTRUCTIONS		SET UP GAGE	
5.00-5.50	NONE	408-8040		458637-1	

LOC	DIST	REV	DESCRIPTION	DATE	OWN	APVD
A	66	A	RELEASED	06APR2009	RK	TE
		B	ECR-11-014437	12JUL2011	MY	GB

- 1 RECOMMENDED SPARE PARTS
- 2 GREASE LIGHTLY
- 3 GUARD MUST BE IN PLACE WHEN OPERATING APPLICATOR IN A BENCH MACHINE
- 4 THE INSULATION RANGE LISTED IS FOR THE TERMINAL. THE INSULATION RANGE FOR THE SEAL IS ∅ 1.4-2.3mm.
- 5 ADJUST FEED TO SELECTED TERMINAL

*** WARNING**
ON INSTALLATION, SET WIRE DISC TO LARGEST WIRE SIZE SETTING. USE OF SETTINGS BELOW MIN. REQUIRED CRIMP HEIGHT SETTING WILL CAUSE DAMAGE TO CRIMP TOOLING.



-	-	-	REF	-	-	692655-6	AIR FEED VALVE ASSEMBLY	118
-	-	-	REF	-	-	461062-1	FEED FINGER ASSEMBLY	117
-	-	-	REF	-	-	455749-1	GUARD WINDOW	116
-	-	-	REF	-	-	679532-1	INSERT, GUARD	115
-	-	-	REF	-	-	3-21001-5	SCR, SKT HD CAP 3/8-16 X 1.000	111
-	-	-	REF	-	-	459610-1	MOUNT, FEED BRACKET	110
-	-	-	REF	-	-	21024-8	WASHER, SPRG LOCK, REG 3/8	109
-	-	-	REF	-	-	692655-7	AIR FEED VALVE ASSEMBLY	108
-	-	-	REF	-	-	24024-2	VALVE, SHUT OFF	106
-	-	-	REF	-	-	692655-5	AIR FEED VALVE ASSEMBLY	105
-	-	-	REF	-	-	461065-1	ASSEMBLY, AIR FEED	104
-	-	-	REF	-	-	3-21000-9	SCR, SKT HD CAP 10-32 X 1.000	103
-	-	-	REF	-	-	318563-1	GUARD, FRONT CHIP	89
-	-	-	REF	-	-	455888-8	SPACER, CRIMPER	82
-	-	-	REF	-	-	4088040	SF APPL INST 408-8040	72
-	-	-	REF	-	-	217238-1	GENERAL INSTRUCTION PKG	71
-	-	-	REF	-	-	461264-5	PLATE, IDENTIFICATION	67
-	-	-	REF	-	-	21017-2	SCREW, DRIVE	66
-	-	-	REF	-	-	21009-2	SCR, SET, SELF LOCKING 1/4-20 X .250	63
-	-	-	REF	-	-	22733-8	SCR, BHSC, SELF-LOCKING, 8-32 X .375	60
-	-	-	REF	-	-	2-22603-0	SCR, HEX HD CAP 8-32 X .312	59
-	-	-	REF	-	-	1-21003-9	SCR, FLT SKT HD CAP 6-32 X .375	57
-	-	-	REF	-	-	458537-2	PAWL, FEED	56
-	-	-	REF	-	-	2-21002-2	SCR, BTN SKT HD CAP 8-32 X .500	54
-	-	-	REF	-	-	2-21000-8	SCR, SKT HD CAP 8-32 X .625	53
-	-	-	REF	-	-	21018-5	NUT, HEX, REG 6-32	52
-	-	-	REF	-	-	811242-2	BUMPER, HOLD DOWN	51
-	-	-	REF	-	-	690753-1	SPACER, TONKER	50
-	-	-	REF	-	-	1633399-4	APPL., BASIC AIR FEED SUB ASSY	46
-	-	-	REF	-	-	690191-1	PLUG, NYLON	45
-	-	-	REF	-	-	819307-7	RAM, SIDE FEED	44
-	-	-	REF	-	-	7-21002-9	SCR, BTN SKT HD CAP 5/16-24 X 1.00	41
-	-	-	REF	-	-	690125-1	SHIM SUB-ASSY	39
-	-	-	REF	-	-	1-469367-0	SHIM	38
-	-	-	REF	-	-	879103-2	FINE ADJUST HEAD ASSEMBLY	37
-	-	-	REF	-	-	690786-3	TERMINAL SUPPORT	34
-	-	-	REF	-	-	2-21002-4	SCR, BTN SKT HD CAP 8-32 X .750	33
-	-	-	REF	-	-	21024-5	WASHER, SPRG LOCK, REG NO 10	32
-	-	-	REF	-	-	3-21000-4	SCR, SKT HD CAP 10-32 X .375	31
-	-	-	REF	-	-	1320908-2	SPACER, STRIP GUIDE	30
-	-	-	REF	-	-	1633091-7	ASSEMBLY, STRIP GUIDE	29
-	-	-	REF	-	-	1-455888-0	SPACER, CRIMPER	28
-	-	-	REF	-	-	1320928-3	PLATE, STRIP GUIDE	24
-	-	-	REF	-	-	690472-2	STRIPPER	22
-	-	-	REF	-	-	2-21000-7	SCR, SKT HD CAP 8-32 X .500	21
-	-	-	REF	-	-	21024-4	WASHER, SPRG LOCK, REG NO 8	20
-	-	-	REF	-	-	691353-1	STRIPPER	19
-	-	-	REF	-	-	679625-4	SHEAR HOLDER, FRONT (NO CUT)	13
-	-	-	REF	-	-	3-22280-3	SPRING, COMPRESSION	12
-	-	-	REF	-	-	690461-1	STOP, SHEAR	11
-	-	-	REF	-	-	2-690459-2	SHEAR HOLDER, FRONT	10
-	-	-	REF	-	-	318059-4	FLOATING SHEAR, FRONT	9
-	-	-	REF	-	-	3-662188-9	ANVIL, COMBINATION .100	8
-	-	-	REF	-	-	240641-5	SPACER	7
-	-	-	REF	-	-	-	-	6
-	-	-	REF	-	-	122399-4	DEPRESSOR, SHEAR	5
-	-	-	REF	-	-	3-238011-1	BLOCK, CRIMPER SPACER	4
-	-	-	REF	-	-	1-318712-0	CRIMPER, INSULATION	3
-	-	-	REF	-	-	2-455888-5	SPACER, CRIMPER	2
-	-	-	REF	-	-	456407-6	CRIMPER, WIRE PREMIUM	1

DIMENSIONS:		TOLERANCES UNLESS OTHERWISE SPECIFIED:		APPROVED:		DRAWING NO:	
INCHES	9 PLC ± .01	PLC	± .01	DATE	05MAR2009	REV	1
	1 PLC ± .01	PLC	± .01	DATE	06APR2009	REV	2
	3 PLC ± .001	PLC	± .001	DATE	06APR2009	REV	3
	4 PLC ± .0001	PLC	± .0001	DATE	06APR2009	REV	4
	ANGLES ± .0001	PLC	± .0001	DATE	06APR2009	REV	5
	FINISH	PLC	± .0001	DATE	06APR2009	REV	6