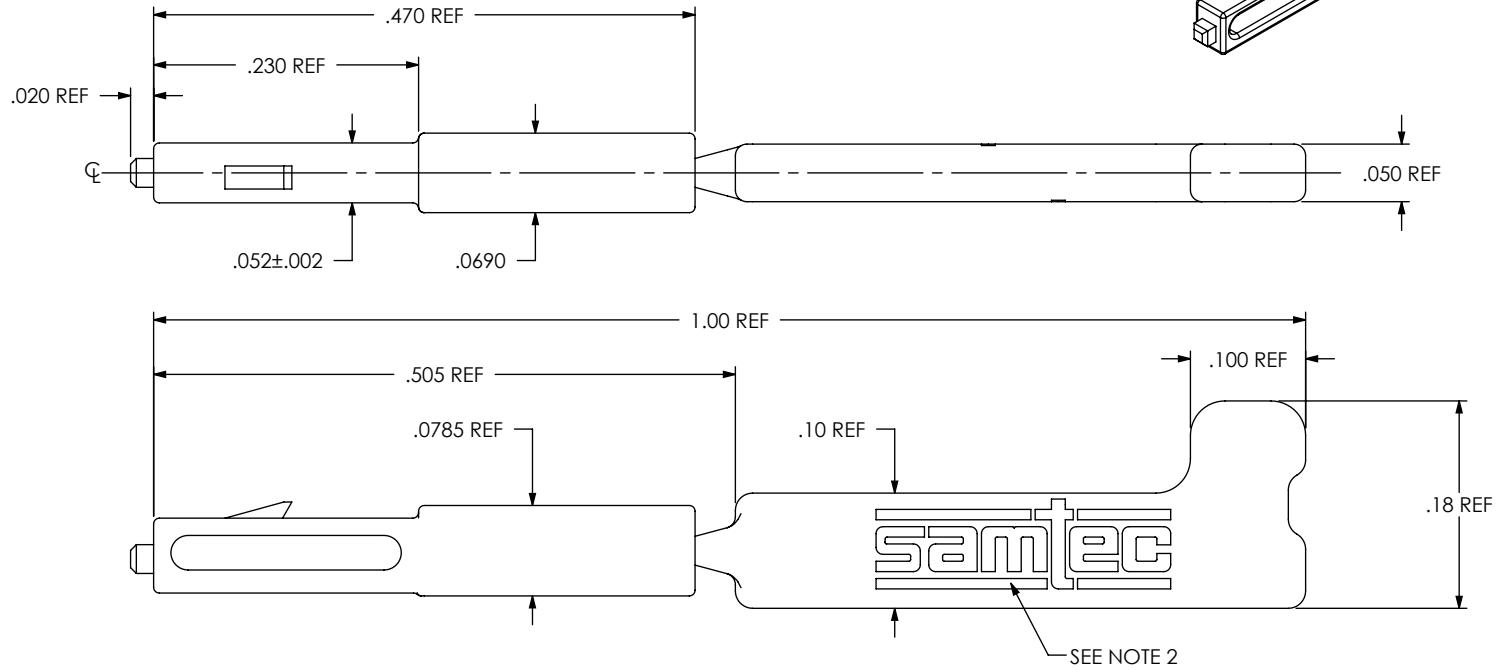
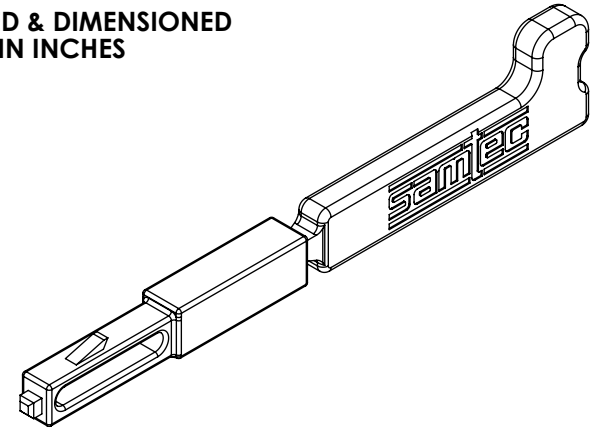


DESIGNED & DIMENSIONED  
IN INCHES

DO NOT  
SCALE FROM  
THIS PRINT



UNLESS OTHERWISE SPECIFIED,  
DIMENSIONS ARE IN INCHES.  
TOLERANCES ARE:  
DECIMALS ANGLES  
.XX: ±.01 2°  
.XXX: ±.003  
.XXXX: ±.0015

**PROPRIETARY NOTE**  
THIS DOCUMENT CONTAINS INFORMATION  
CONFIDENTIAL AND PROPRIETARY TO  
SAMTEC, INC. AND SHALL NOT BE REPRODUCED  
OR TRANSFERRED TO OTHER DOCUMENTS OR  
DISCLOSED TO OTHERS OR USED FOR ANY  
PURPOSE OTHER THAN THAT WHICH IT WAS  
OBTAINED WITHOUT THE EXPRESSED WRITTEN  
CONSENT OF SAMTEC, INC.



520 PARK EAST BLVD., NEW ALBANY, IN 47150  
PHONE: 812-944-6733 FAX: 812-948-5047  
e-Mail info@SAMTEC.com code 53322

MATERIAL: DO NOT SCALE DRAWING SHEET SCALE: 6:1

VECTRA E130i, COLOR: BLACK  
MAX REGRIND: 100%

MAX FLASH ALLOWED: .002  
MAX GATE VESTIGE: .010

c:\enterprise\aut\DWG\MISC\MKTG\PK-79-MKT.SLDDRW

DESCRIPTION:  
IPD1 POLARIZING PLUG

DWG. NO.  
PK-79

BY: ROY LUO 06/26/2014 SHEET 1 OF 1