

Type 2 surge protection device - VAL-MS 230/2+0 - 2800103

Please be informed that the data shown in this PDF Document is generated from our Online Catalog. Please find the complete data in the user's documentation. Our General Terms of Use for Downloads are valid (<http://phoenixcontact.com/download>)



2-pos. rail-mountable surge arrester for 2+0 circuit, thermal/dynamic monitoring and visual fault indicator. Arrester rated voltage: 275 V AC.

Product Features

- With or without floating remote indication contact
- Optical, mechanical status indication for the individual arresters
- Disconnect device on each individual plug
- Mechanical coding of all slots
- Multi-channel type 2 arresters
- Type 2 consistent plug-in surge arresters



Key commercial data

Packing unit	1 pc
Weight per Piece (excluding packing)	240.0 GRM
Custom tariff number	85363030
Country of origin	Germany

Technical data

Dimensions

Height	90 mm
Width	35.6 mm
Depth	58 mm
Horizontal pitch	2 Div.

Ambient conditions

Degree of protection	IP20 (only when all terminal points are used)
----------------------	---

Type 2 surge protection device - VAL-MS 230/2+0 - 2800103

Technical data

Ambient conditions

Ambient temperature (operation)	-40 °C ... 80 °C
Ambient temperature (storage/transport)	-40 °C ... 80 °C
Altitude	≤ 2000 m (amsl (above mean sea level))
Permissible humidity (operation)	5 % ... 95 %
Shock (operation)	25g
Vibration (operation)	5g

General

Standards/specifications	IEC 61643-11 2011
	EN 61643-11 2012
IEC test classification	II
	T2
EN type	T2
IEC power supply system	TN-C
Number of ports	One
SPD design	Voltage-limiting type
Mode of protection	L-PEN
Mounting type	DIN rail: 35 mm
Color	black
Housing material	PA 6.6
	PBT
Pollution degree	2
Inflammability class according to UL 94	V-0
Type	DIN rail module, two-section, divisible
Surge protection fault message	Optical

Protective circuit

Nominal voltage U_N	240/415 V AC (TN-C)
Nominal frequency f_N	50 Hz (60 Hz)
Maximum continuous operating voltage U_C (L-PEN)	275 V AC
Rated load current I_L	80 A
Residual current I_{PE}	≤ 0.9 mA
Standby power consumption P_C	≤ 240 mVA
Nominal discharge current I_n (8/20) μ s (L-PEN)	20 kA
Maximum discharge current I_{max} (8/20) μ s (L-PEN)	40 kA
Short-circuit current rating I_{SCCR}	25 kA
Voltage protection level U_p (L-PEN)	≤ 1.35 kV
Residual voltage U_{res} (L-PEN)	≤ 1.35 kV (at I_n)

Type 2 surge protection device - VAL-MS 230/2+0 - 2800103

Technical data

Protective circuit

	≤ 1.1 kV (at 10 kA)
	≤ 1 kV (at 5 kA)
	≤ 0.9 kV (at 3 kA)
TOV behavior at U_T (L-PEN)	335 V AC (5 s / withstand mode)
Response time t_A (L-PEN)	≤ 25 ns
Max. backup fuse with branch wiring	125 A AC (gG)
Max. backup fuse with V-type through wiring	80 A AC (gG)

Connection data

Connection method	Screw connection
Conductor cross section stranded min.	1.5 mm ²
Conductor cross section stranded max.	25 mm ²
Conductor cross section solid min.	1.5 mm ²
Conductor cross section solid max.	35 mm ²
AWG conductor cross section	15 ... 2
	10 ... 2 (UL)
Screw thread	M5
Tightening torque	4.5 Nm
	30 lb _F -in. (UL)
Stripping length	16 mm

NEMA/UL protective circuit

UL class	Type 4 SPD for Type 2 applications
Maximum continuous operating voltage MCOV (L-N)	275 V AC
Nominal voltage U_N	230 V AC
Mode of protection	L-L
	L-G
Power distribution system	1S
Nominal frequency	50/60 Hz
Voltage protection rating VPR (L-L)	1.8 kV
Voltage protection rating VPR (L-G)	1 kV
Nominal discharge current I_n (L-L)	20 kA
Nominal discharge current I_n (L-G)	20 kA

Classifications

eCl@ss

eCl@ss 4.0	27140201
------------	----------

Type 2 surge protection device - VAL-MS 230/2+0 - 2800103

Classifications

eCl@ss

eCl@ss 4.1	27130801
eCl@ss 5.0	27130801
eCl@ss 5.1	27130801
eCl@ss 6.0	27130805
eCl@ss 7.0	27130805
eCl@ss 8.0	27130805

ETIM

ETIM 2.0	EC000941
ETIM 3.0	EC000941
ETIM 4.0	EC000941
ETIM 5.0	EC000941

UNSPSC

UNSPSC 6.01	30212010
UNSPSC 7.0901	39121610
UNSPSC 11	39121610
UNSPSC 12.01	39121610
UNSPSC 13.2	39121620

Approvals

Approvals

Approvals

UL Recognized / cUL Recognized / CSA / ÖVE / CCA / IECCEB Scheme / cULus Recognized

Ex Approvals

Approvals submitted

Approval details

UL Recognized

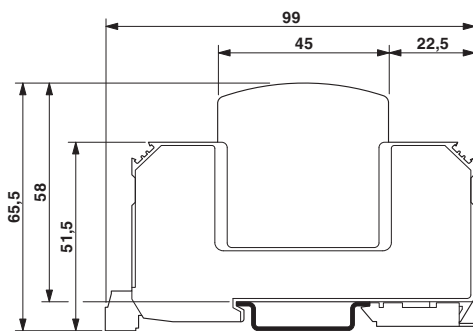
Type 2 surge protection device - VAL-MS 230/2+0 - 2800103

Approvals

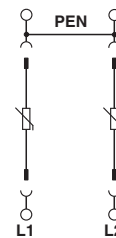
cUL Recognized
CSA
ÖVE
CCA
IECEE CB Scheme
cULus Recognized

Drawings

Dimensioned drawing



Circuit diagram



The illustration shows the dimensional drawing for a version with remote indicator contact