

LOC	DIST	REVISIONS					
E	B	P	LTR	DESCRIPTION	DATE	DWN	APVD
		A		NEW DRAWING	08DEC2011	PSK	JC

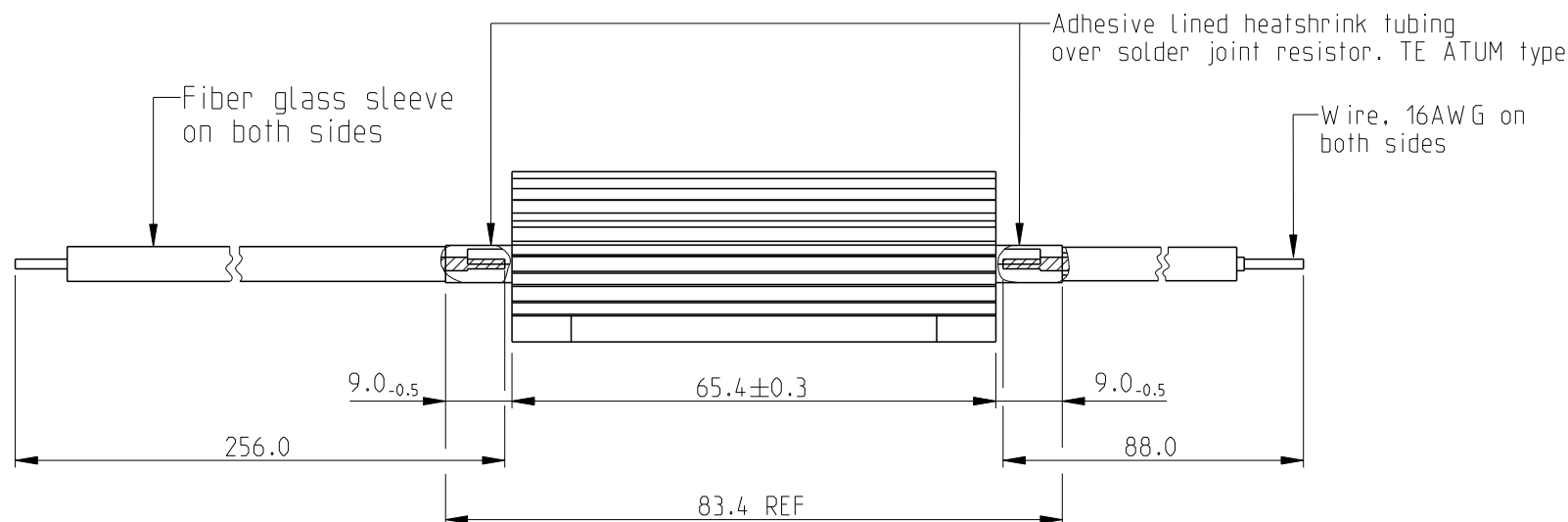
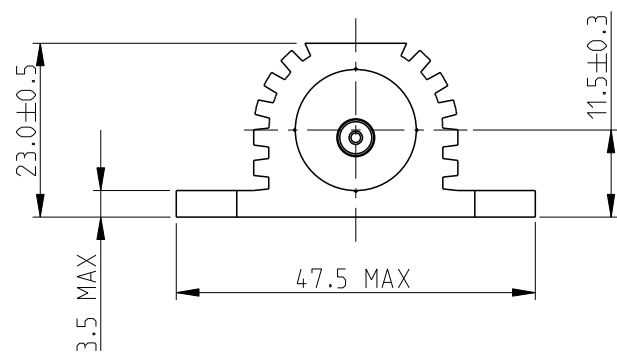
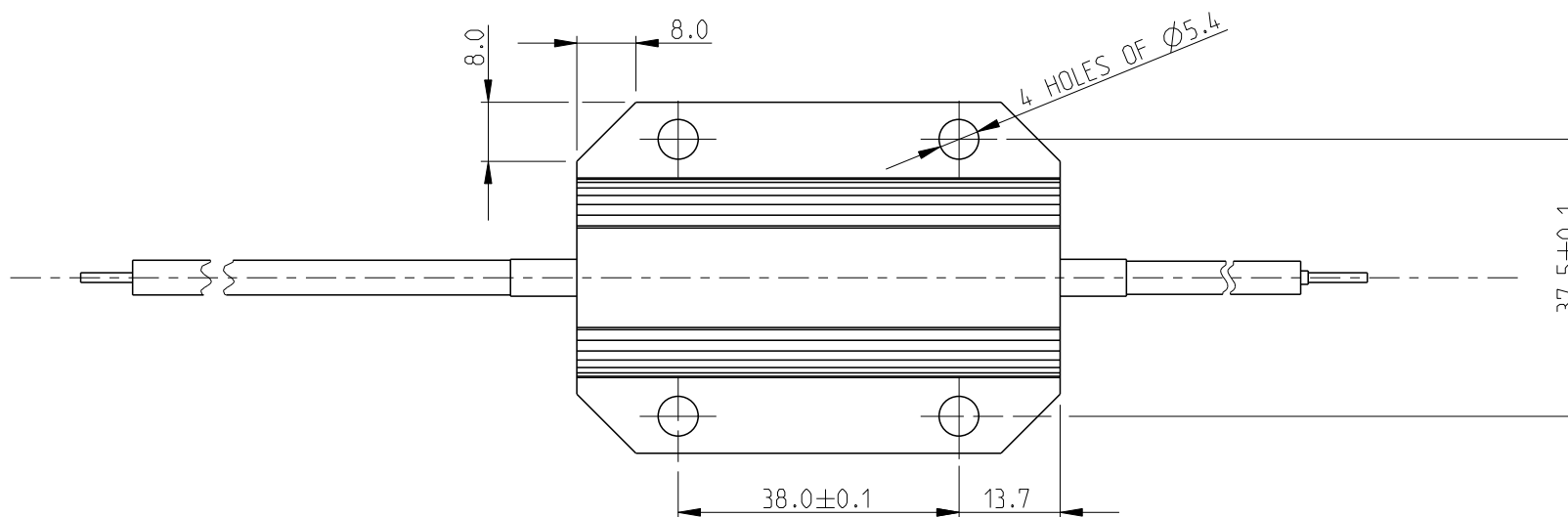
NOTES:

STANDARD OPERATING CHARACTERISTICS:

1. RATED POWER: 100W (WITH HEAT SINK)
2. INSULATION RESISTANCE: >1000MΩ at 500Vdc
3. DIELECTRIC STRENGTH: 5000V PEAK
4. MAX WORKING VOLTAGE (AC OR DC): 1900V
5. TEMPERATURE CO-EFFICIENT: 50ppm/°C
6. OPERATING TEMP: -55 °C to +220 °C

R2170A SPECIFIC OPERATING CHARACTERISTICS:

1. DUTY CYCLE: 6 CYCLES PER MINUTE OF 180J IN 100ms



SCHEDULE			
SL NO	TE PART NO	MEC PART NO	DESCRIPTION
1	2176064-1	R2170A20RJ	R2170A 20R 5%

RoHS Compliant

THIS DRAWING IS A CONTROLLED DOCUMENT.		DWN PRASAD K 08DEC2011	STE TE Connectivity	
DIMENSIONS: mm		CHK P. ALLAN 08DEC2011		
TOLERANCES UNLESS OTHERWISE SPECIFIED:		APVD J CATCHPOLE 08DEC2011	NAME R2170A 20R 5%	
0 PLC ±0.5		PRODUCT SPEC -	RESTRICTED TO -	
1 PLC ±0.2		APPLICATION SPEC -	SIZE A3	CAGE CODE 00779
2 PLC ±0.1		WEIGHT -	DRAWING NO C-2176064	SCALE 1:1
3 PLC ±		CUSTOMER DRAWING	SHEET 1 OF 1	REV A
4 PLC ±				
ANGLES ±°				
FINISH -				