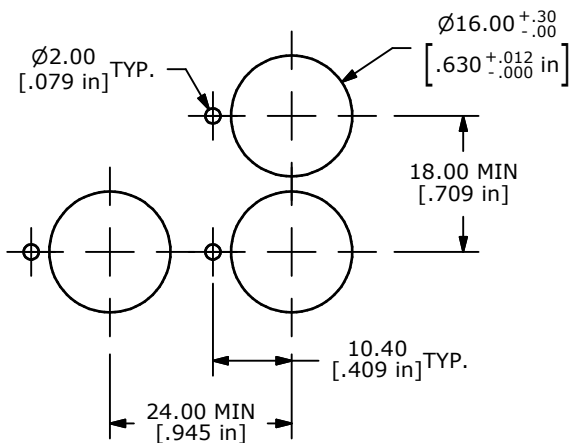
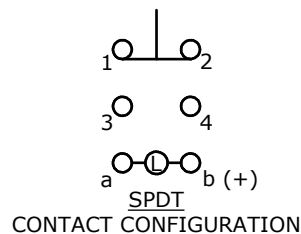


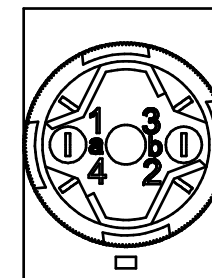
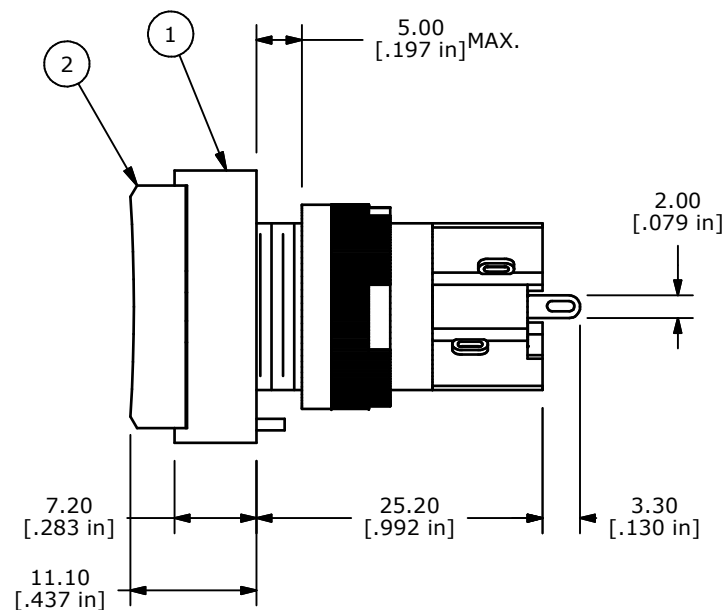
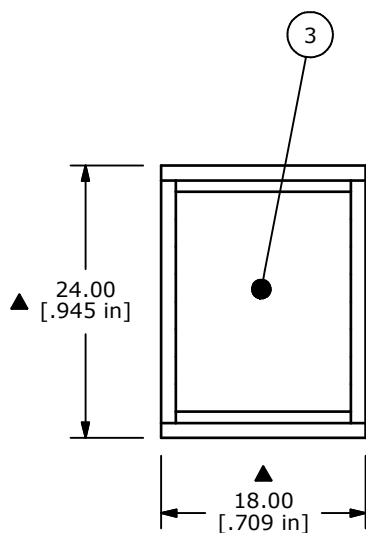
PARTS LIST				
ITEM	QTY	PART NUMBER	DESCRIPTION	
1	1	F040004	D16EET11	
2	1	F050205	50-002-05 WHITE TRANSPARENT RECTANGULAR	
3	1	F050422	50-004-22 LED 24VDC GREEN	



PANEL MOUNTING



CONTACT CONFIGURATION



- NOTE:
1. ALL DIMENSIONS IN MM [INCH]
 2. GENERAL TOLERANCE: X.X=±0.4
X.XX=±0.25
 3. TERMINAL NUMBERS FOR REF ONLY
 4. MECHANICAL LIFE: 2,000,000 OPERATIONS
 5. INSULATION RESISTANCE: 1,000 MILLI-OHM MIN.
 6. OPERATING TEMP.: -25°C to 55°C
 - ▲ 7. LAMP VOLTAGE: 24V DC GREEN
 8. ▲ DENOTES CRITICAL PARAMETER.
 9. 2002/95/EC (ROHS) COMPLIANT



A	17576	RELEASED FOR PRODUCTION	8/20/07	BF
REV	PCR NO	DESCRIPTION	DATE	BY

TITLE D16EET11KGRNWHT				
SCALE	DATE	DR	DWG	REV
1.5:1	8/20/2007	BF	XF0735P	A

THE INFORMATION CONTAINED IN THIS DOCUMENT IS PROPRIETARY TO E-SWITCH AND IS NOT TO BE COPIED OR TRANSFERRED