

1

2

3

4

5

6

7

A

B

C

D

E

F

A

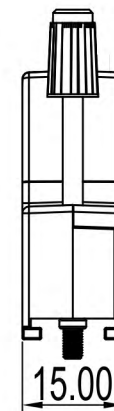
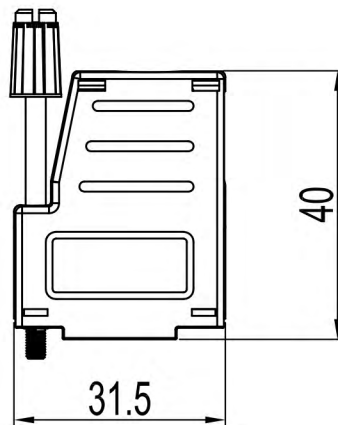
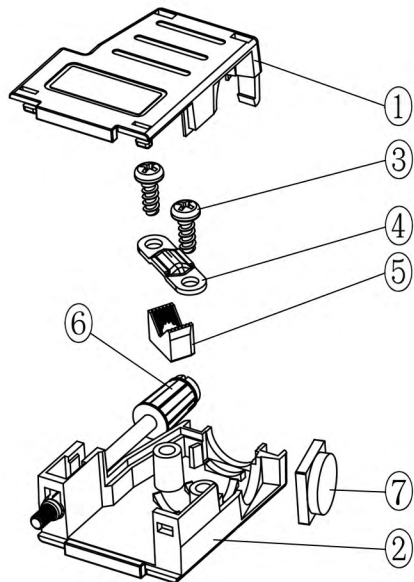
B

C

D

E

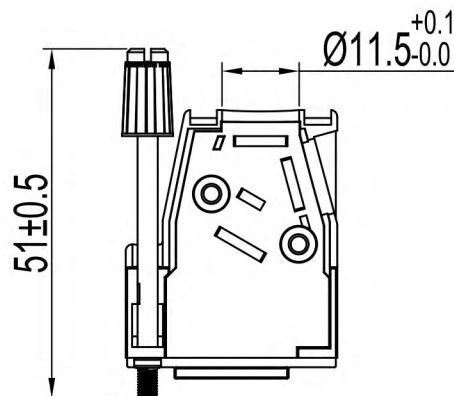
F



TECHNICAL SPECIFICATIONS

Material: ABS Plastic, UL94-HB
 Colour: Black
 Operating Temperature: -55°C to +110°C
 Thumbscrews: UNC 4-40

No. of contacts: 09-15-25



Item	QTY	Part description
1	1	Upper Cover
2	1	Lower Cover
3	2	EPS 3x8 Self Tapping Screw
4	1	Cable Clamp
5	1	Plastic Insert
6	1	Jackscrews UNC4-40 x 51mm
7	1	Plastic Blanker

RoHS compliant
 Unit: mm

Scale	Free				Date	Name	Customer-No.	
TOLERANCE					Drawn	17.08.2017	S.Bölling	
0~6	±0.10				Approved	17.08.2017	S.Bölling	
6~30	±0.20							
30~120	±0.30							
120~400	±0.50							
DIM	Tol							
Angle	±1°	Ⓞ	Drawn	17.08.2017				S.Bölling
Angle	Tol	Id.	Modification	Date				Name
						Drawing-No.	ASS_5253_CO	rev00
						Replace		Sheet 1/3

ASSMANN WSW-No. ACOV-SUB-09NB12

G

G

H

H

1

2

3

4

5

6

7

SV4382

1

2

3

4

5

6

7

A

B

C

D

E

F

A

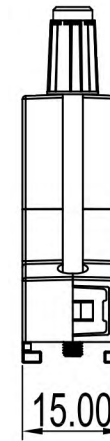
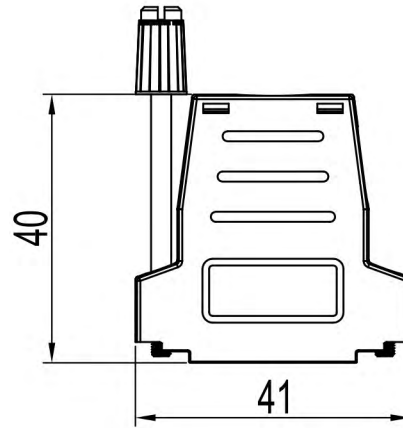
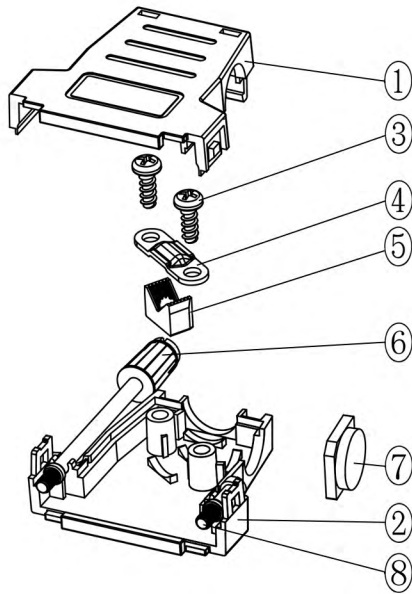
B

C

D

E

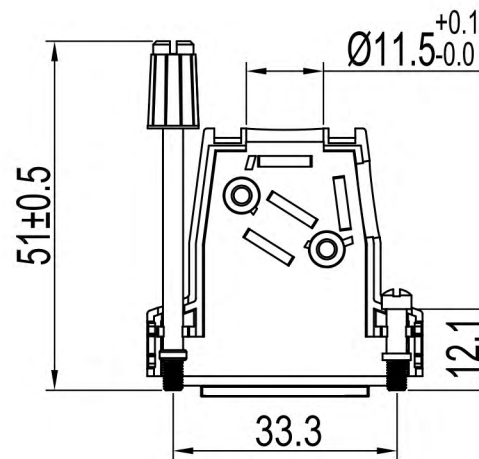
F



TECHNICAL SPECIFICATIONS

Material: ABS Plastic, UL94-HB
 Colour: Black
 Operating Temperature: -55°C to +110°C
 Thumbscrews: UNC 4-40

No. of contacts: 09-15-25



Item	QTY	Part description
1	1	Upper Cover
2	1	Lower Cover
3	2	EPS 3x8 Self Tapping Screw
4	1	Cable Clamp
5	1	Plastic Insert
6	2	Jackscrews UNC4-40 x 51mm
7	1	Plastic Blanker
8	1	Jackscrew UNC4-40 x 12.1mm

RoHS compliant
 Unit: mm

Scale	Free					Date	Name	Customer-No.
TOLERANCE						Drawn	17.08.2017	S.Bölling
0~6	±0.10					Approved	17.08.2017	S.Bölling
6~30	±0.20							
30~120	±0.30							
120~400	±0.50							
DIM	Tol							
Angle	±1°	©	Drawn	17.08.2017	S.Bölling			
Angle	Tol	Id.	Modification	Date	Name			

ASSMANN
 WSW components

Customer-No.
 ASSMANN WSW-No.
ACOV-SUB-15NB12

Drawing-No.
ASS_5253_CO rev00
 Replace Sheet 2/3

1

2

3

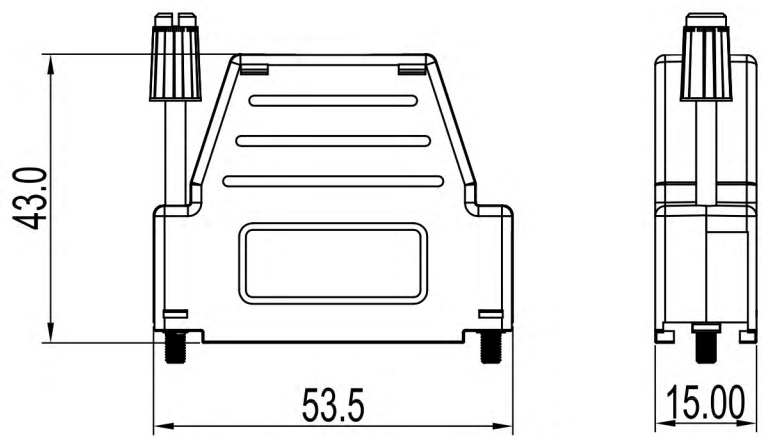
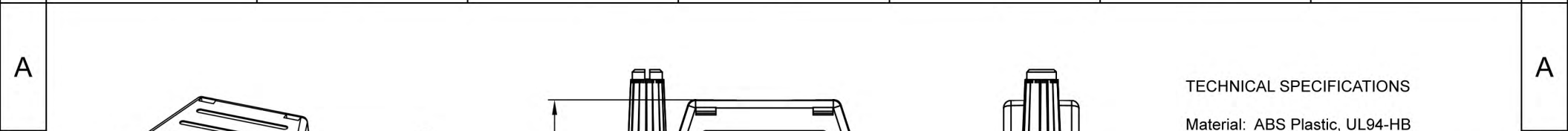
4

5

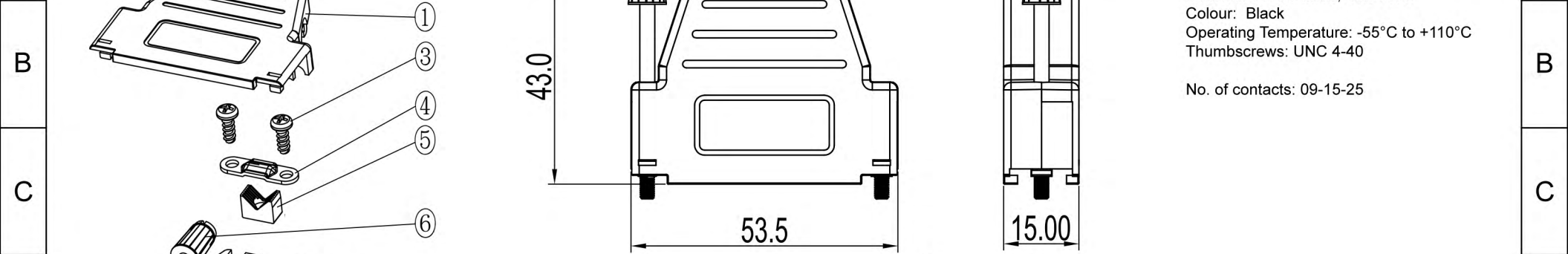
6

7

SV4382



TECHNICAL SPECIFICATIONS
 Material: ABS Plastic, UL94-HB
 Colour: Black
 Operating Temperature: -55°C to +110°C
 Thumbscrews: UNC 4-40
 No. of contacts: 09-15-25



Item	QTY	Part description
1	1	Upper Cover
2	1	Lower Cover
3	2	EPS 3x8 Self Tapping Screw
4	1	Cable Clamp
5	1	Plastic Insert
6	2	Jackscrews UNC4-40 x 51mm
7	1	Plastic Blanker
8	1	Jackscrew UNC4-40x18.1mm

RoHS compliant
 Unit: mm

Scale	Free				Date	Name	Customer-No.
TOLERANCE					Drawn	17.08.2017	S.Bölling
0~6	±0.10				Approved	17.08.2017	S.Bölling
6~30	±0.20						
30~120	±0.30						
120~400	±0.50						
DIM	Tol						
Angle	±1°	©	Drawn	17.08.2017	S.Bölling	ASSMANN WSW components ASS_5253_CO rev00 Replace Sheet 3/3	
Angle	Tol	Id.	Modification	Date	Name		

