

PART NAME: HANDLE

SCALE: 1:1

DATE: 9/17/98

DR. BY HD



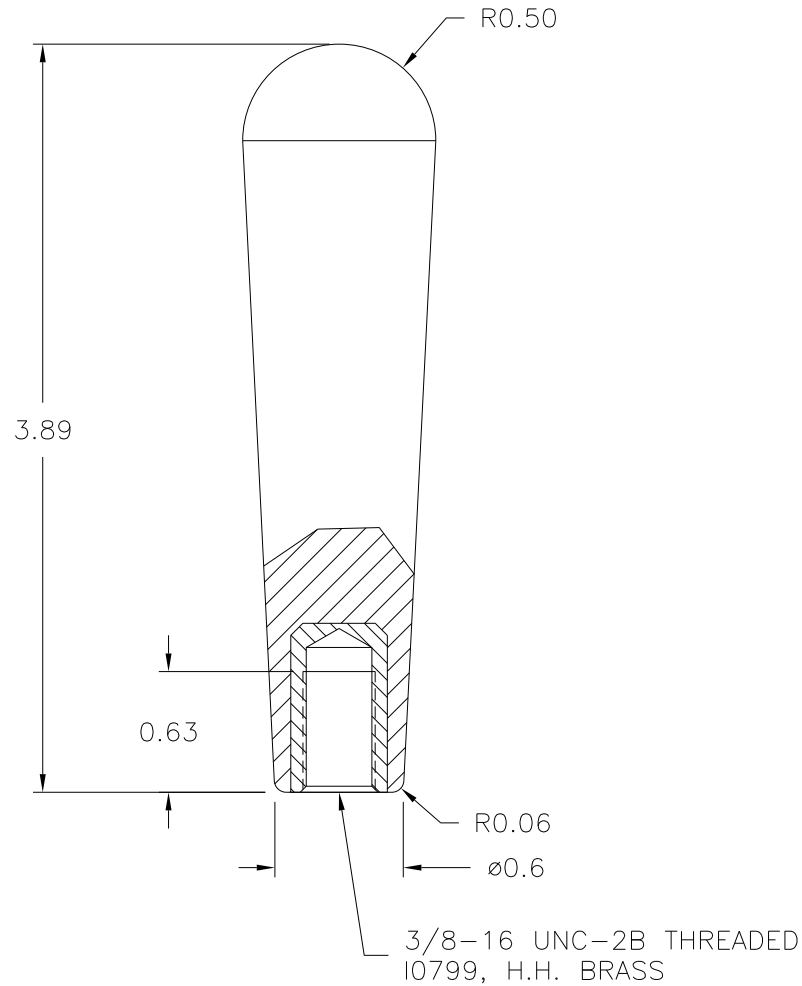
DESIGNERS & MANUFACTURERS OF KNOBS, HANDLES, CASES & CUSTOM PLASTIC COMPONENTS

P/N 5582BH

THIS DRAWING IS THE PROPERTY OF DAVIES MOLDING COMPANY, IS SUBMITTED SOLELY AS A DESIGN OR ENGINEERING PROJECT. WE ACCEPT NO RESPONSIBILITY WHATSOEVER FOR THE PRACTICAL APPLICATION OF THE PIECES MADE TO THIS DESIGN.

M<sup>NO.</sup> 5582

CAVITY	5582
PLUNGER	5582
PIN	5582-AL
INSERT	10799



Ⓐ

MATERIAL: #4311 PHENOLIC (B41)  
COLOR: BLACK

TOLERANCES: UNLESS OTHERWISE SPECIFIED	DO NOT SCALE DRAWING			
DECIMALS: X.XXX ± .005 X.XX ± .015	MM: X.XX ± 0.15MM X.X ± 0.4MM	A	WAS #2511	JAM 4/22/13
FRACTIONS ± 1/64	ANG. ± 1°	-	REDRAWN	TL 12/3/99
CHANGES				