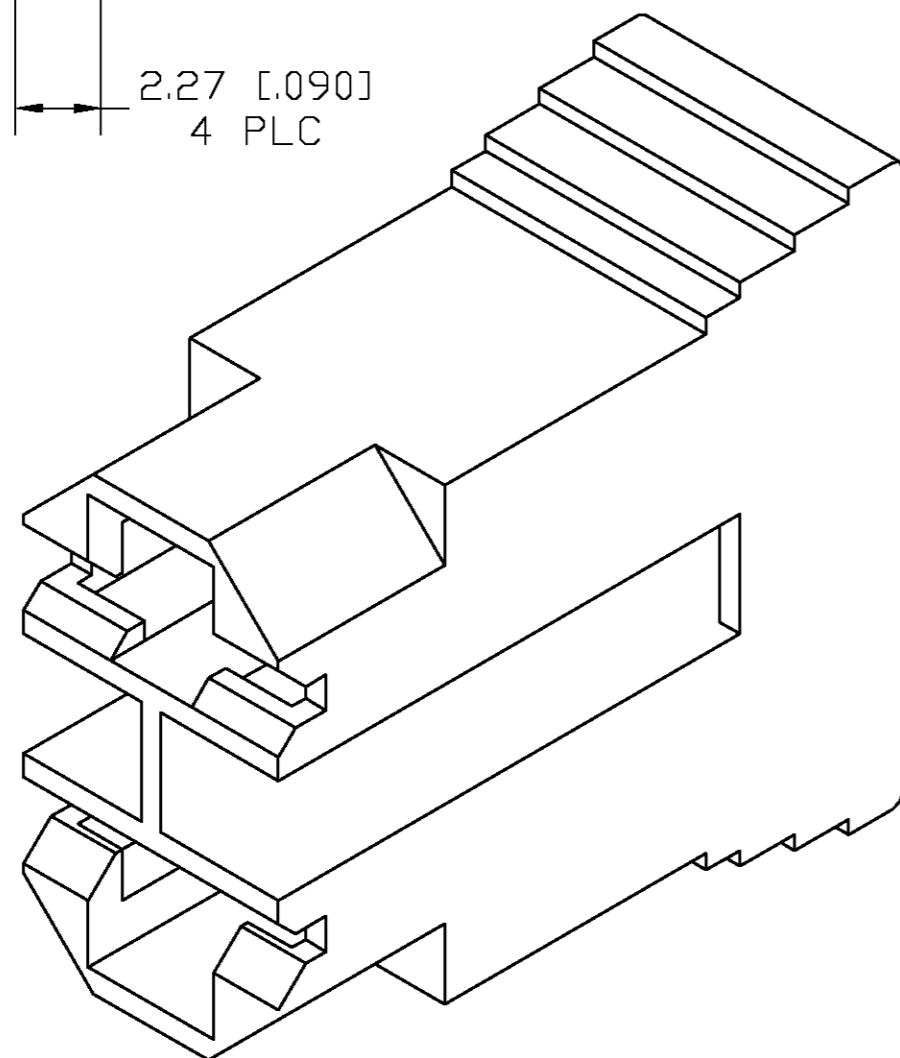
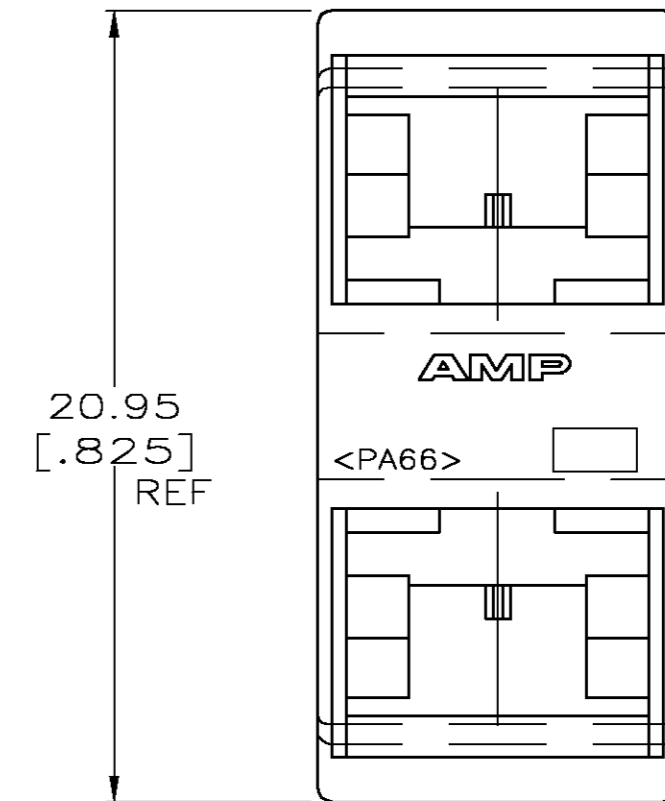
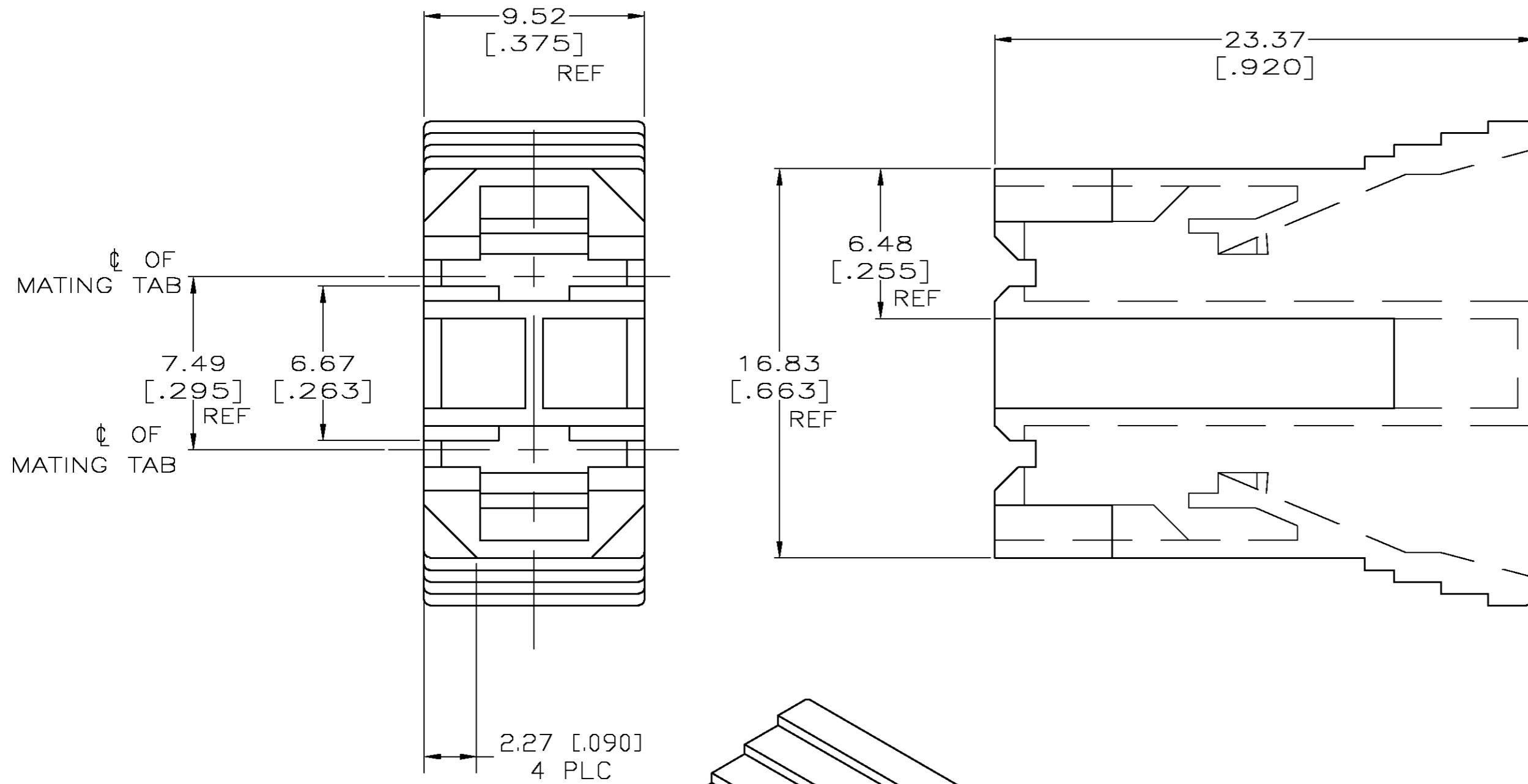


THIS DRAWING IS UNPUBLISHED. RELEASED FOR PUBLICATION  
 © COPYRIGHT BY TYCO ELECTRONICS CORPORATION. ALL RIGHTS RESERVED.

LOC		DIST		REVISIONS			
P	LTR	DESCRIPTION		DATE	DWN	APVD	
B		REL PER 0G3A-0754-03		09DEC03	JR	PD	

2 WILL ACCEPT A MAX WIRE SIZE OF #14 AWG, AND A 4.32 [.170] MAX INSULATION DIA.  
 3 PREPRODUCTION - FASR REQ



3D VIEW

3 521664-1  
 PART NO.

THIS DRAWING IS A CONTROLLED DOCUMENT.		DWN	jr ruth	20AUG03	 Tyco Electronics Corporation Harrisburg, PA 17105
DIMENSIONS: MM		CHK	MS FEHER	20AUG03	
TOLERANCES UNLESS OTHERWISE SPECIFIED:		APVD	P DESANTIS	20AUG03	
0 PLC ± - 1 PLC ± - 2 PLC ± 0.25 [.010] 3 PLC ± - 4 PLC ± - ANGLES ± - FINISH NATURAL		NAME		HOUSING, RECEPTACLE, FASTON, 6.35 [.250] SERIES	
MATERIAL	6/6 NYLON	WEIGHT	-	SIZE	A2
CUSTOMER DRAWING		CAGE CODE	00779	DRAWING NO	C=521664
		SCALE	5:1	SHEET	1 OF 1
		REV	B	RESTRICTED TO	