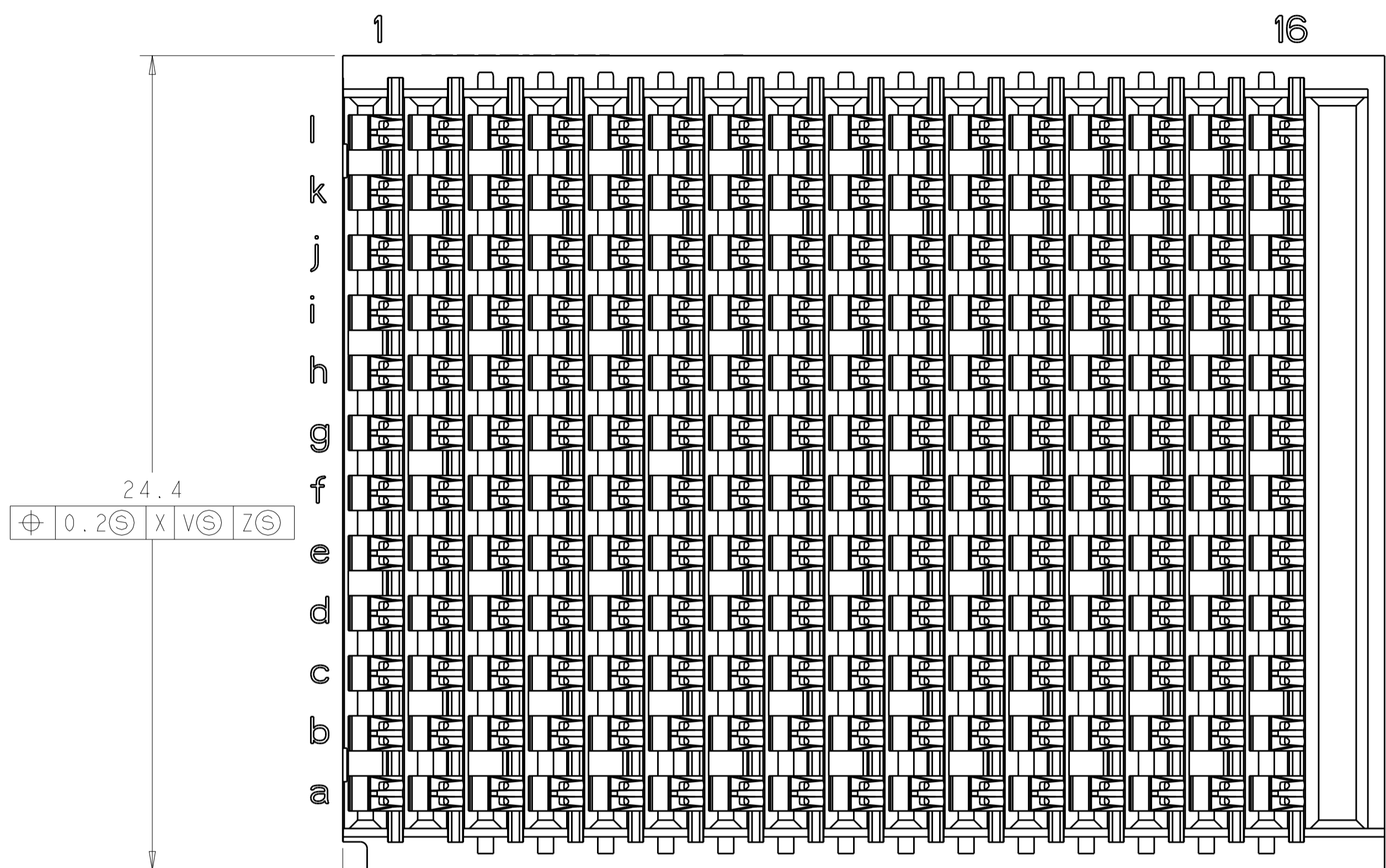
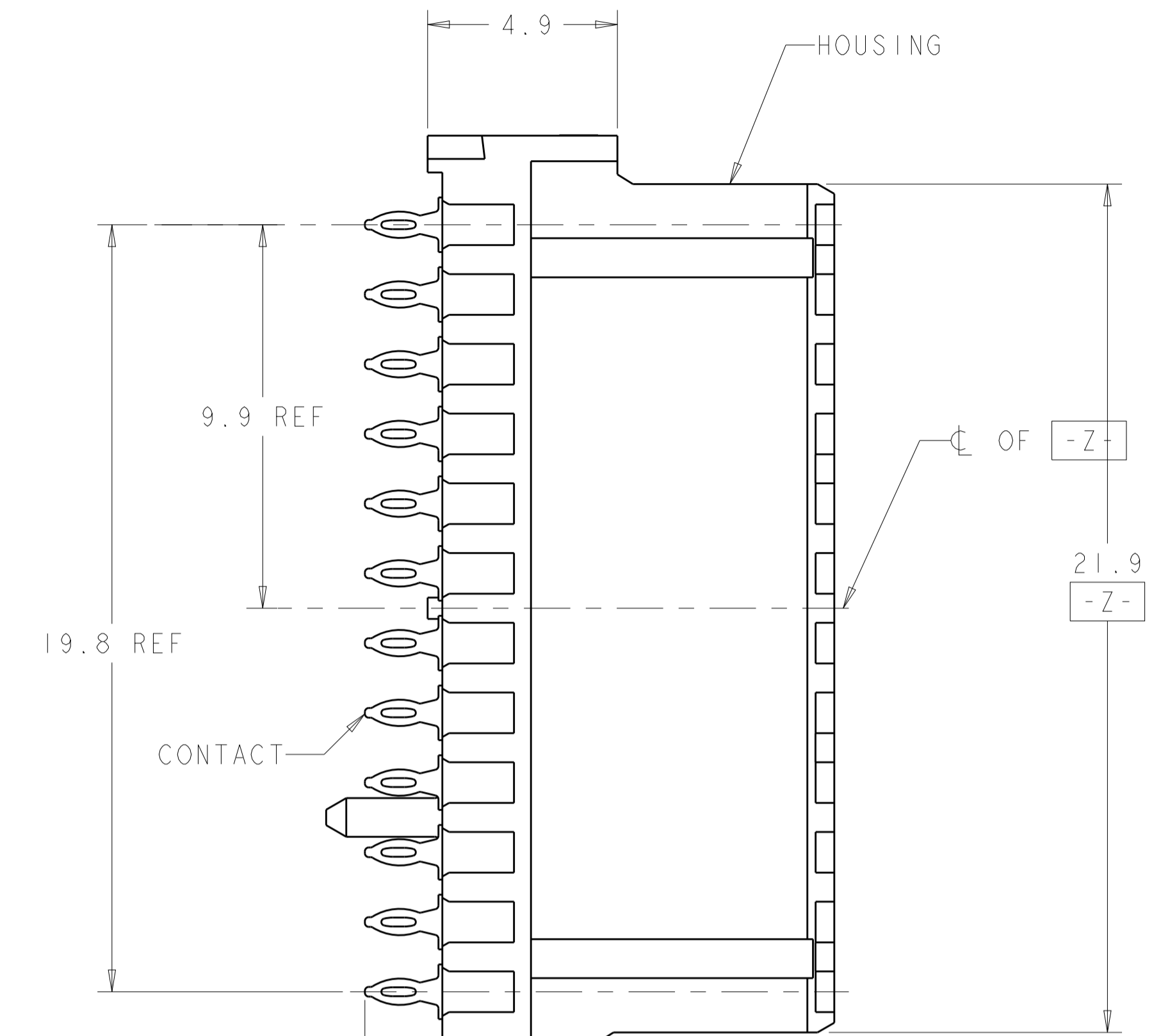
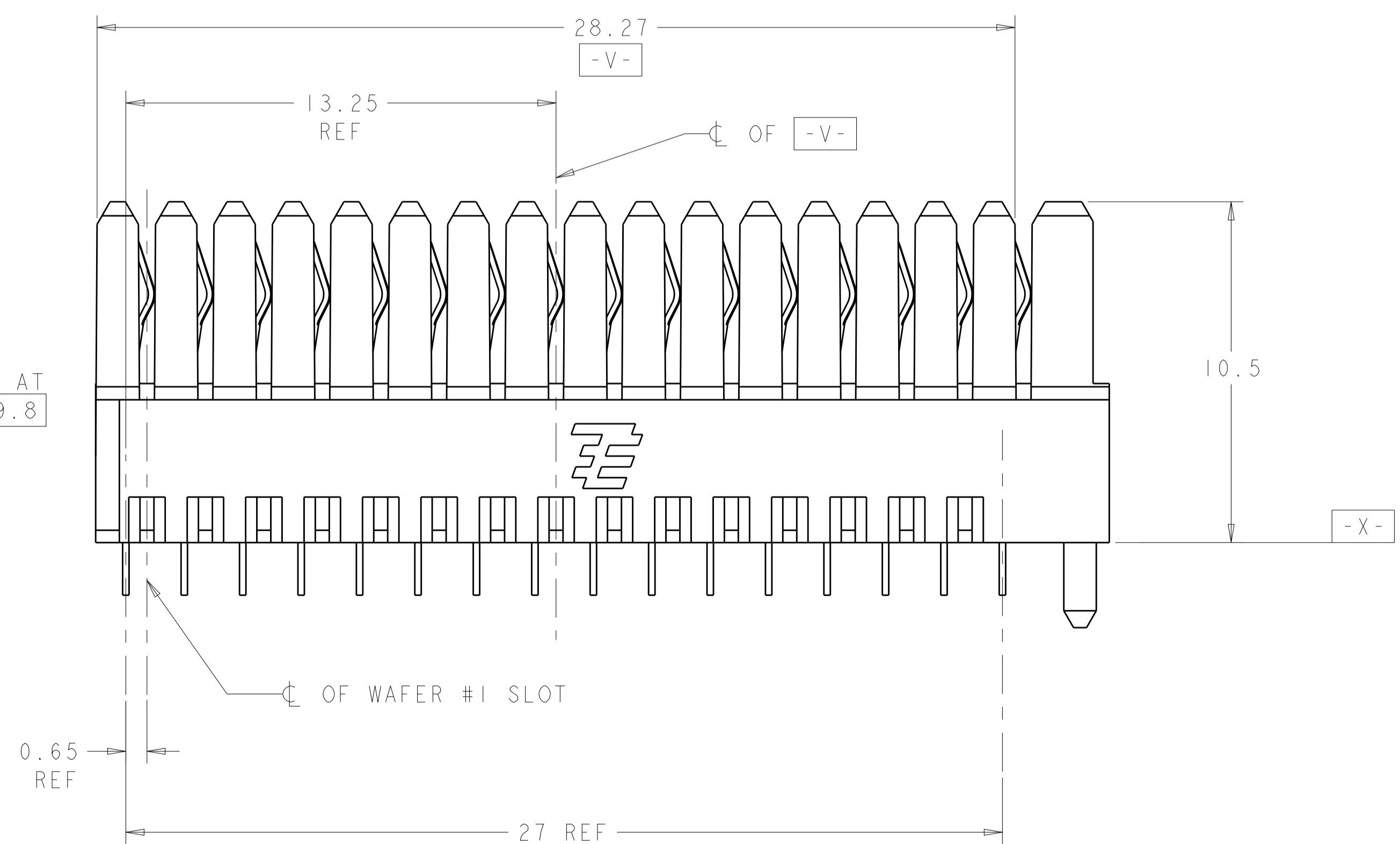
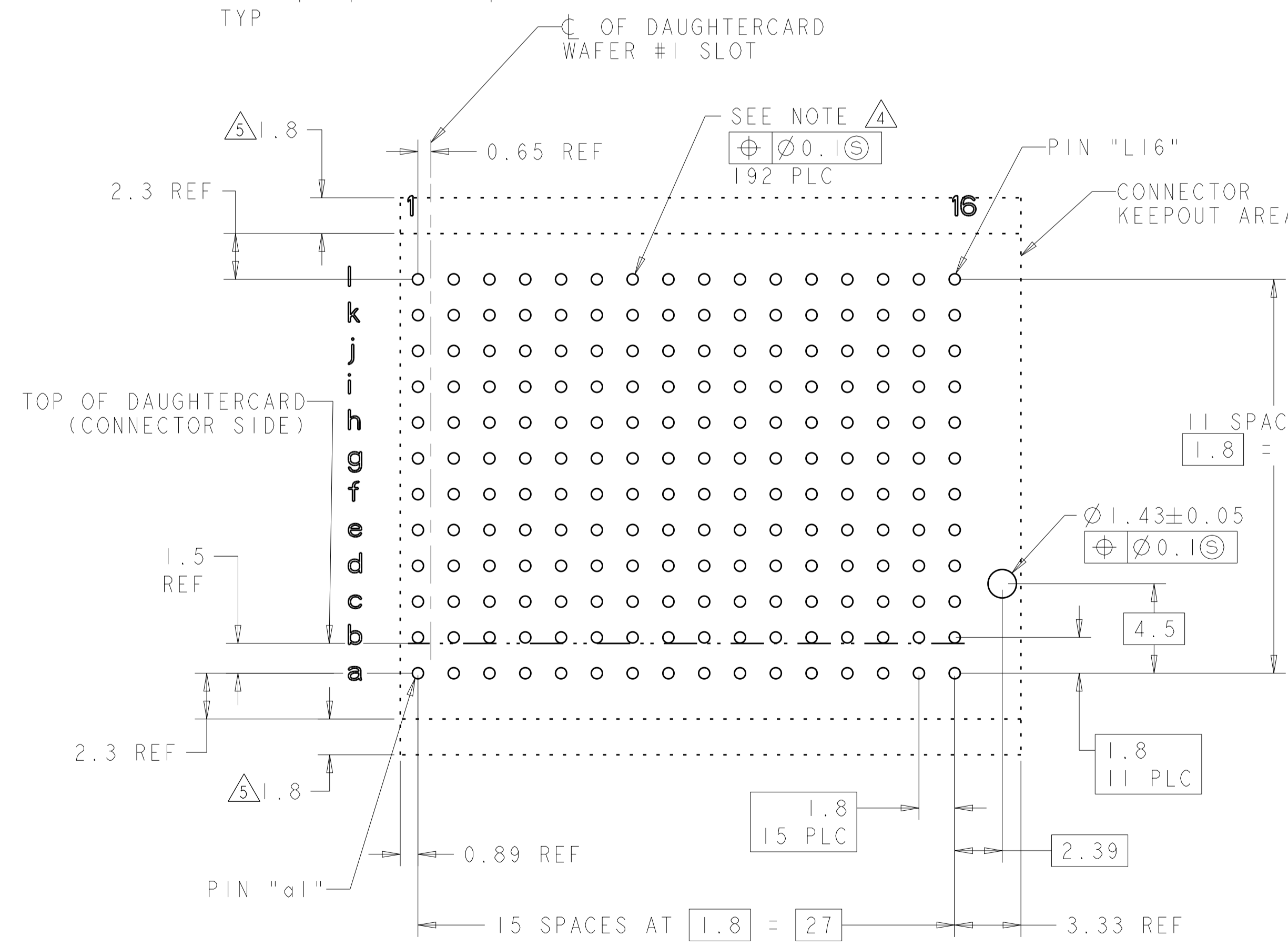


LOC	DIST	REV	DATE	BY	APPV
GP	00	D	11FEB2013	KH	RP



- △ HOUSING: LCP, UL94V0, COLOR: BLACK. CONTACT: PHOSPHOR BRONZE.
- △ FINISH: 1.27µm GOLD IN CONTACT AREA 1.27µm MIN TIN-LEAD ON PCB TAIL OVER 3.81µm MIN NICKEL OVER ALL.
- △ FINISH: 1.27µm GOLD IN CONTACT AREA 1.27µm MIN TIN ON PCB TAIL OVER 3.81µm MIN NICKEL OVER ALL.
- △ MANUFACTURING TOLERANCE FOR:
 Ø0.56±0.05 FINISHED HOLE WITH Sn PB PLATING:
 DRILLED HOLE = Ø0.65±0.02
 COPPER PLATING = 0.025-0.050
 Sn PB PLATING = 0.0038-0.0124
 OR
 Ø0.575±0.050 FINISHED HOLE WITHOUT Sn PB PLATING:
 DRILLED HOLE = Ø0.65±0.02
 COPPER PLATING = 0.025-0.050
- △ ADDITIONAL CONNECTOR SIDE KEEPOUT AREA REQUIRED IF CONNECTOR SIDE EXTRACTION TOOL IS TO BE USED.
- △ OBSOLETE PARTS: OBSOLETE CIS STREAMLINING PER D.RENAUD/D.SINISI
- △ PART MARKED WITH BOEING P/N 1H15-015RHA.



PC BOARD LAYOUT (CONNECTOR SIDE) SCALE 5:1

△ OBSOLETE	△	1410128-3
	△	1410128-2
	△	1410128-1
		PLATING PART NO

THIS DRAWING IS A CONTROLLED DOCUMENT.

DIMENSIONS:	TOLERANCES UNLESS OTHERWISE SPECIFIED:	OWN: R. IREA 27FEB2002	CHK: J. CONSOLI 27FEB2002	APVD: J. CONSOLI 27FEB2002
mm	0 PLC ±0.5 1 PLC ±0.5 2 PLC ±0.5 3 PLC ±0.5 4 PLC ±0.5 ANGLES ±1°	PRODUCT SPEC: 108-2072	APPLICATION SPEC: 114-13056	WEIGHT: -
MATERIAL: △	FINISH: △	SIZE: A1	CAGE CODE: 100779	DRAWING NO: 1410128
CUSTOMER DRAWING		SCALE: 8:1	SHEET: 1 OF 1	REV: D

STE TE Connectivity

CONNECTOR ASSEMBLY, BACKPLANE VERTICAL RECEPTACLE, RIGHT END, 25.4mm, MultiGig RT 2