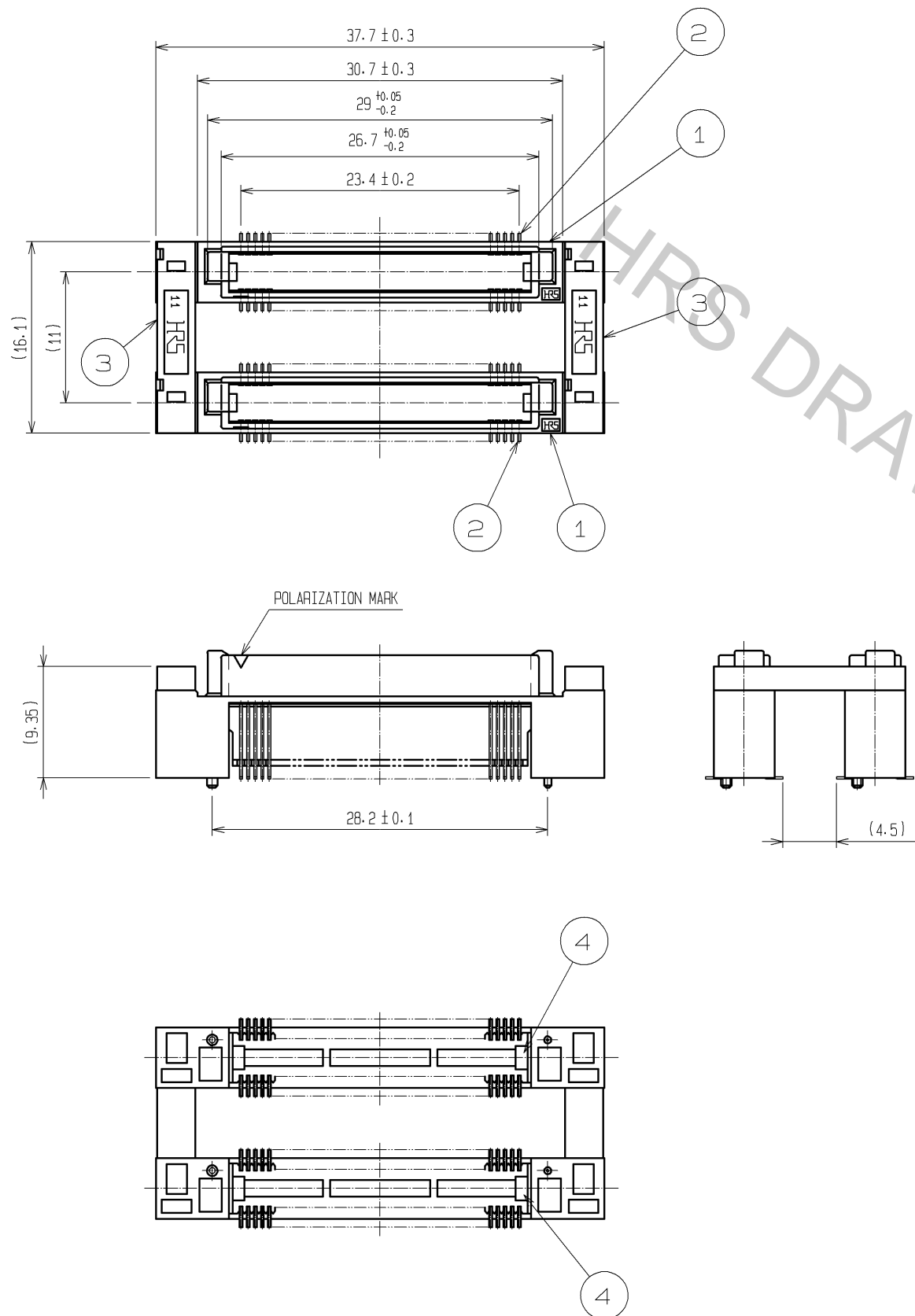
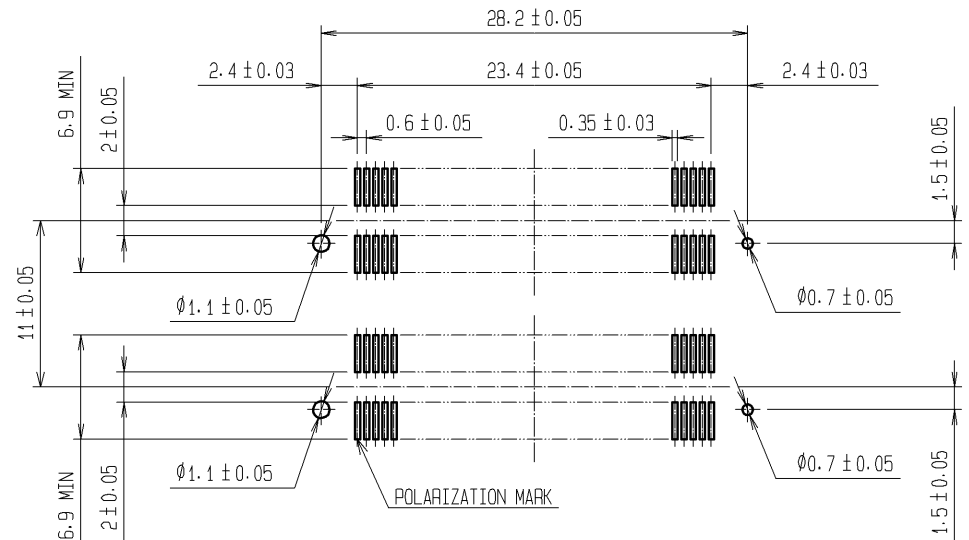


Apr.1.2017 Copyright 2017 HIROSE ELECTRIC CO., LTD. All Rights Reserved.



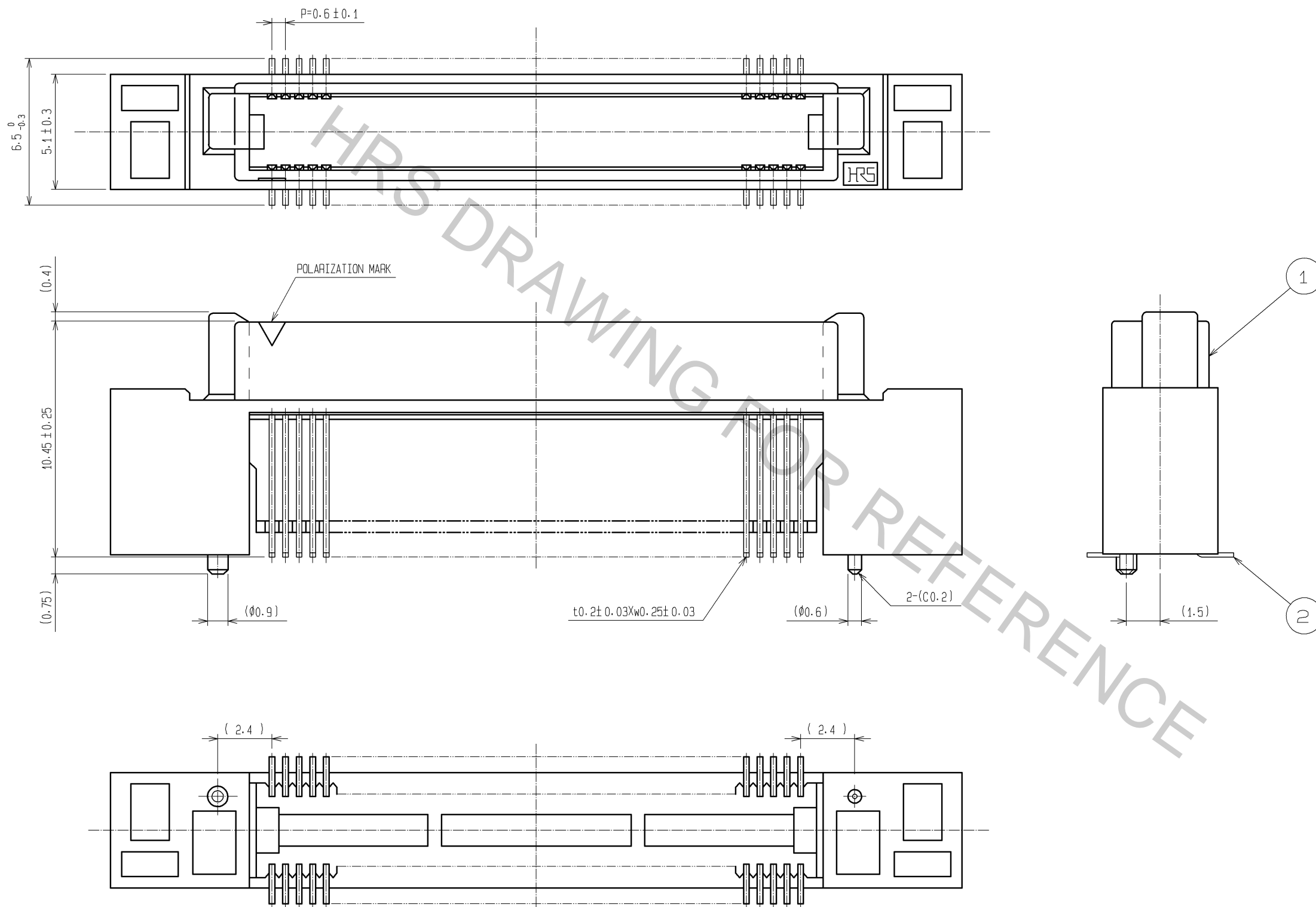
RECOMMENDED LAND PATTERN DIMENSION
OF PCB(MOUNTING SIDE)
(RECOMMENDED METAL MASK THICKNESS:0.15mm)



- NOTES
- 1 LEAD CO-PLANARITY SHALL BE 0.1mm MAX.
 - 2 AFTER MOUNTING BOARD, REF.NO.3 SHALL BE REMOVED.
 - 3 FOR MODIFICATION, ETC., PREVENTIVE HOLE FOR SINK MARK MAY BE ADDED DEPENDS ON CIRCUMSTANCES.
 - 4 THE DIMENSIONS IN PARENTHESES ARE FOR REFERENCE.

1, 3, 4	PPS	LIGHT BROWN (UL94V-0)	2	PHOSPHOR BRONZE	CONTACT AREA : GOLD 0.1μm min. LEAD AREA:TIN-PLATING 1μm min. UNDER PLATING:NICKEL 1μm min.		
NO.	MATERIAL	FINISH . REMARKS	NO.	MATERIAL	FINISH . REMARKS		
UNITS mm		SCALE 2 : 1	COUNT 	DESCRIPTION OF REVISIONS	DESIGNED	CHECKED	DATE
		HIROSE ELECTRIC CO., LTD.		APPROVED : HS. OKAWA 11.03.10	DRAWING NO. EDC3-150952-25		
				CHECKED : HT. YAMAGUCHI 11.03.10	PART NO. FX8C-80/80P11-SV6J(71)		
				DESIGNED : AH. EDASHIGE 11.03.07	CODE NO. CL578-0753-1-71		
				DRAWN : AH. EDASHIGE 11.03.07			

DETAIL AFTER REMOVING JOINT



NOTES THE DIMENSIONS IN PARENTHESES ARE FOR REFERENCE.

HRS	DRAWING NO.	EDC3-150952-25
	PART NO.	FX8C-80/80P11-SV6J(71)
	CODE NO.	CL578-0753-1-71
		\triangle 2/2