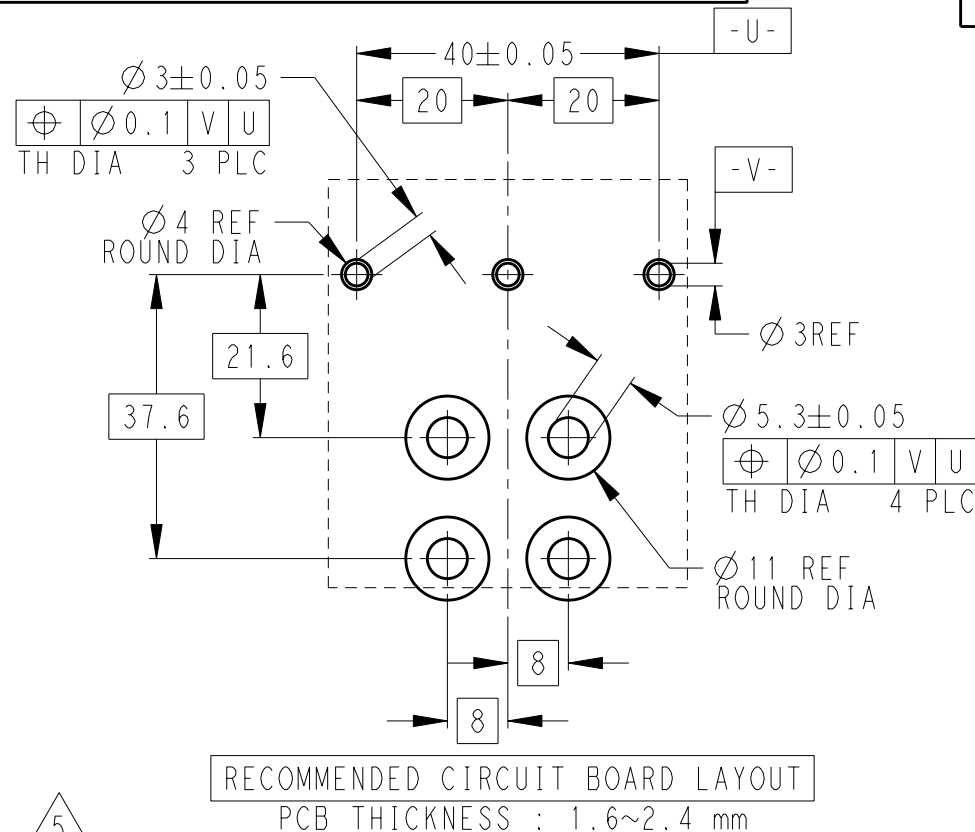
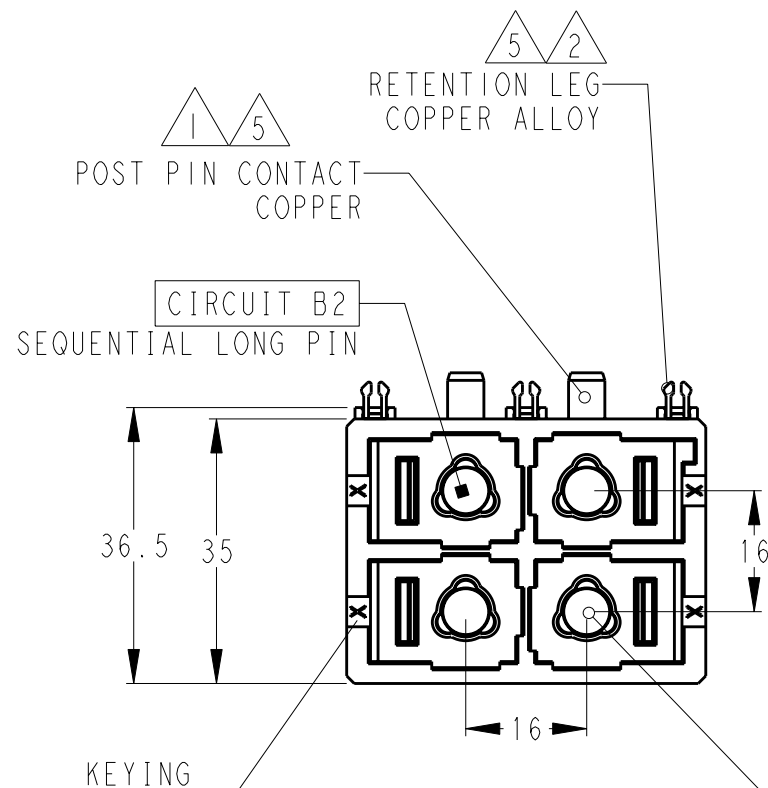


LOC	DIST	REVISIONS					
		P	LTR	DESCRIPTION	DATE	DWN	APVD
J	-		C	REVISED PER ECR-10-025568	15DEC2010	MM	NY

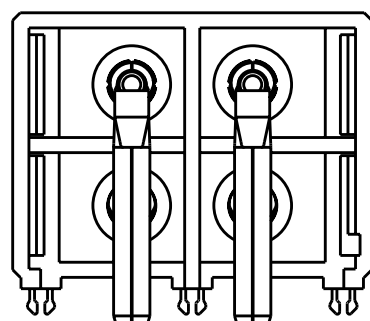
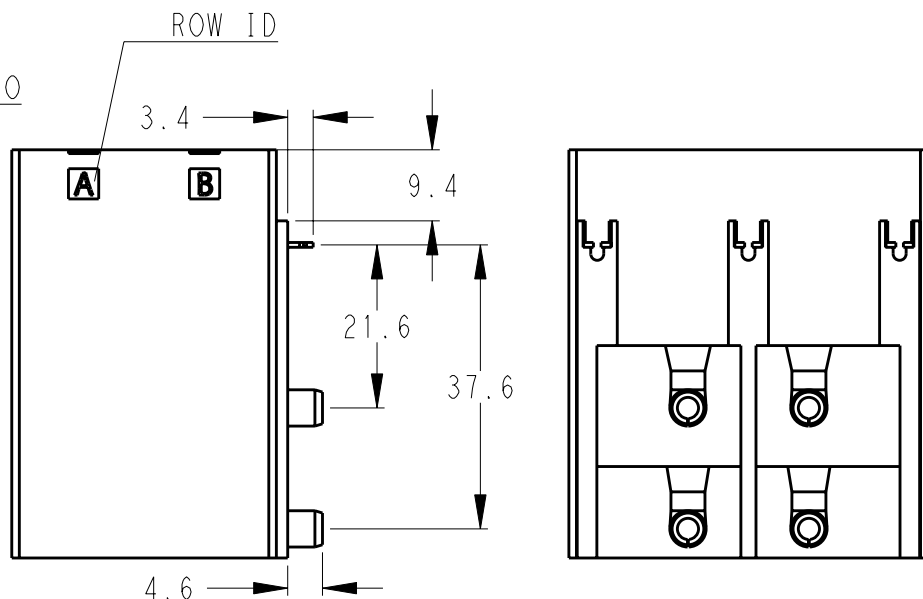
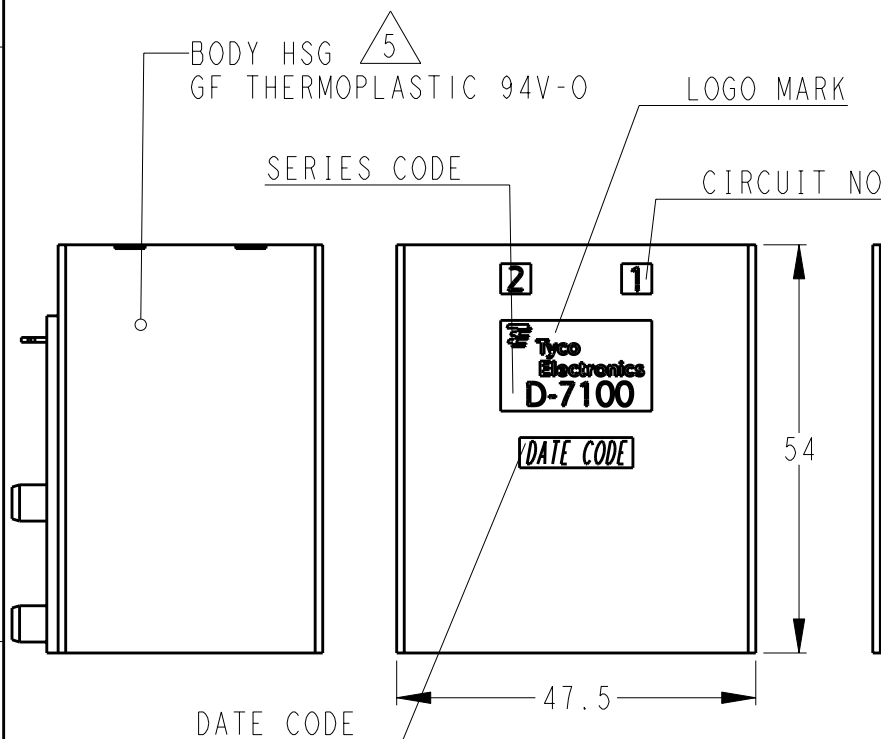
AS SHOWN : 1981823-1



APPLICATED CONNECTOR  
2134055-\*

- △ 1 FINISH:  
SILVER PLATED ALL OVER 0.00254mm MIN  
AFTER NICKEL PLATED ALL OVER 0.0013mm MIN.
- △ 2 FINISH:  
TIN PLATED ALL OVER 0.002mm MIN  
AFTER NICKEL PLATED ALL OVER 0.0013mm MIN.
- 3. THE SHAPE, SIZE AND POSITION OF THE CHARACTER SHOW THE OUTLINE. THEY DONT SHOW DETAILS.
- 4. CONTACT OUR SALES ABOUT ANOTHER KEYING PRODUCT.
- △ 5 MATERIAL

POST PIN CAP HSG  
GF THERMOPLASTIC 94V-0



THIS DRAWING IS A CONTROLLED DOCUMENT FOR TYCO ELECTRONICS CORPORATION IT IS SUBJECT TO CHANGE AND THE CONTROLLING ENGINEERING ORGANIZATION SHOULD BE CONTACTED FOR THE LATEST REVISION.		DWN 31JUL2010 M. MAEBASHI		Tyco Electronics Corporation Kawasaki, Japan	
DIMENSIONS: mm		TOLERANCES UNLESS OTHERWISE SPECIFIED: $\pm 1.0, \pm 5^\circ$			
		0 PLC ± 1 PLC ± 2 PLC ± 3 PLC ± 4 PLC ± ANGLES ±		NAME DYNAMIC D7100 16.0mm PITCH HEADER ASSEMBLY (RIGHT ANGLE TYPE) 4POS	
MATERIAL △ 5		FINISH △ 1 △ 2		PRODUCT SPEC 108-78470 APPLICATION SPEC - WEIGHT -	
CUSTOMER DRAWING		SCALE 1:1		SHEET 1 OF 1 REV C	