

5

4

3

2

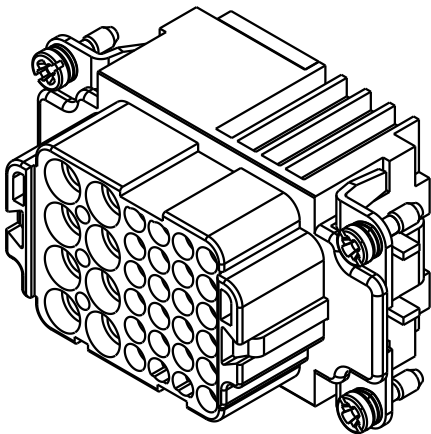
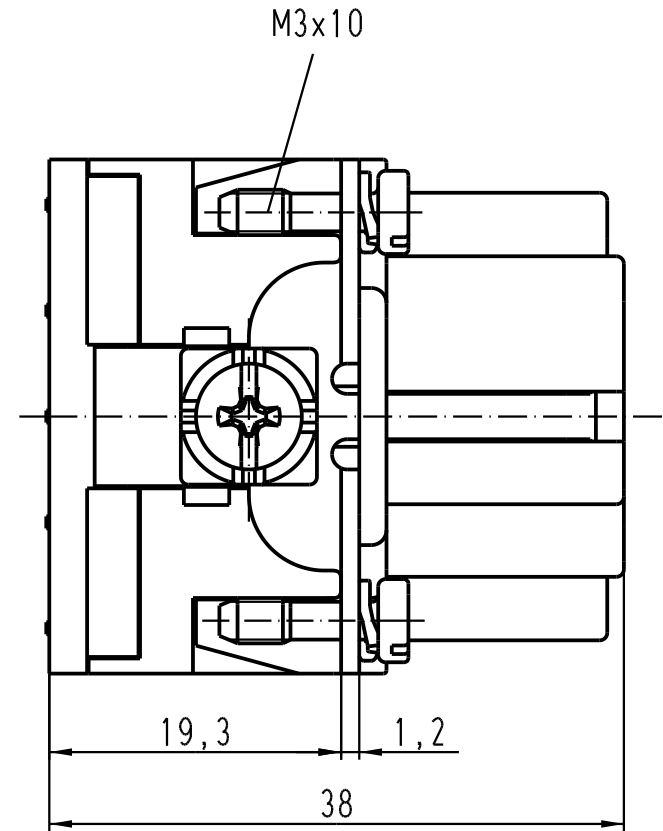
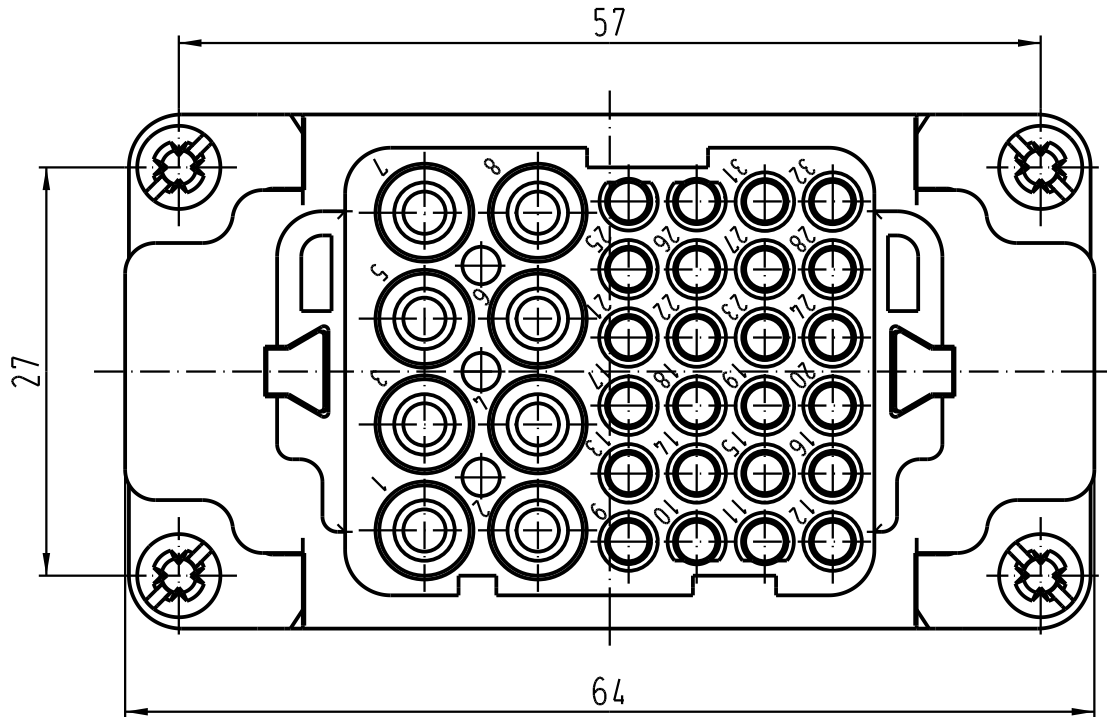
1

D

C

B

A



| | | | | | | | | | | | |
|--------|---|------|---|-------------------|----------|------------------------------------|--|--|--------------|--|--|
| | All Dimensions in mm Original Size DIN A 4 | | | Techn. Character. | | | Nicht tolerierte Masse / Free size tolerances | | | | |
| | | | | | Dat. | Name | Massstab / Scale | | | | |
| | | | | Detail. | 12.02.93 | PENNER | 2:1 | | | | |
| | | | | Insp. | | HERB | | | | | |
| | | | | Stand. | | | Han K8/24-F Buchseneinsatz/ female insert | | | | |
| 411752 | 16.08.05 | Grie | HARTING Electric GmbH & Co. KG D-32339 Espelkamp | | | TB 09 38 032 3101 | | | | | |
| 411315 | 04.11.04 | DY | | | | | | | | | |
| 411037 | 18.05.04 | Loe. | | | | | | | | | |
| Mod. | Dat. | Name | | | | Sub. TB 09 38 032 3101 v. 29.10.86 | | | | | |
| | | | | | | | | | Blatt / page | | |