

Figure 1

1. INTRODUCTION

Insertion tool 2161946-1 is designed to insert DATA DART pin and socket contact kits (assemblies) into GbE Power Modules (refer to Figure 2).

Each of the DATA DART assemblies contains one housing (pin or socket) and four contacts (pin or socket).

Read these instructions thoroughly before attempting to insert ANY contacts.

NOTE



All dimensions are in millimeters [followed by inches in brackets]. Figures and illustrations are not drawn to scale.

2. DESCRIPTION

The tool is made up of a handle and insertion tip. See Figure 1. The tip of the tool is designed to slide between the wires along the raised surface of the DATA DART assembly and push the DATA DART connector into the GbE Power Module.

3. USING THE TOOL

NOTE



Figures on this instruction sheet illustrate the socket DATA DART assemblies. The function of the tool is identical for pins and sockets used with DATA DART assemblies.

1. Wipe the tool and be sure there is no dirt or foreign particles on the tool.
2. Position the cables so that the tool can be positioned as shown in Figure 2 without causing unwanted interference between the tool and the wire.

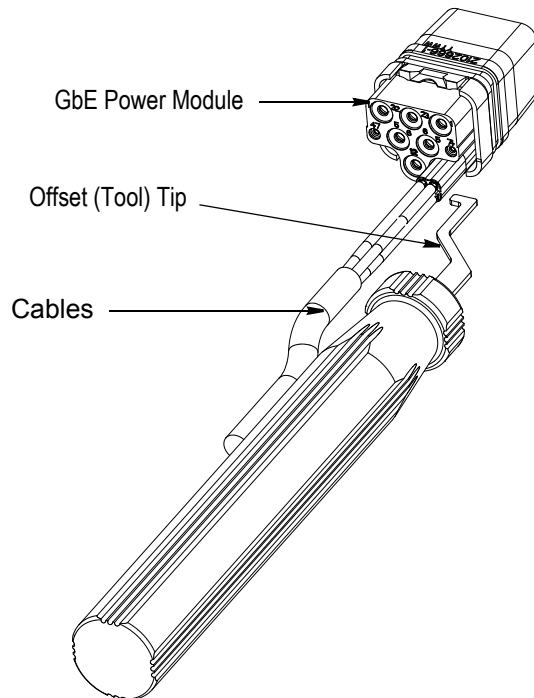


Figure 2

3. Slide the tip of the tool along the raised surface of the DATA DART (Figure 3) and push the DATA DART inside the power module housing until its bottoms and latches are in place. Refer to Figure 4.

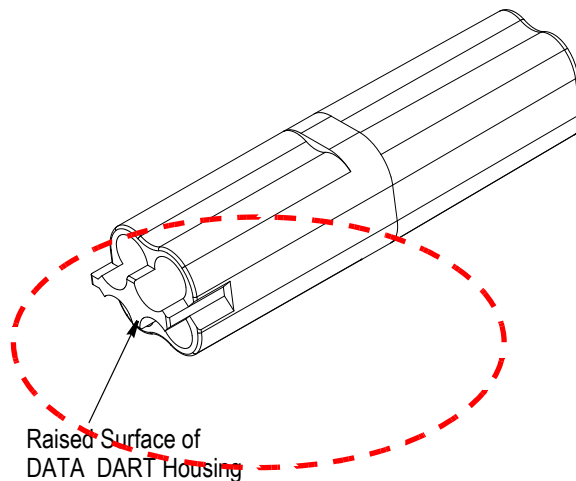


Figure 3

4. Gently slide the tip of the tool back and out of the area of the wires.

Push the DATA DART Housing Inside the GbE Power Module Until It Bottoms and Latches in Place.

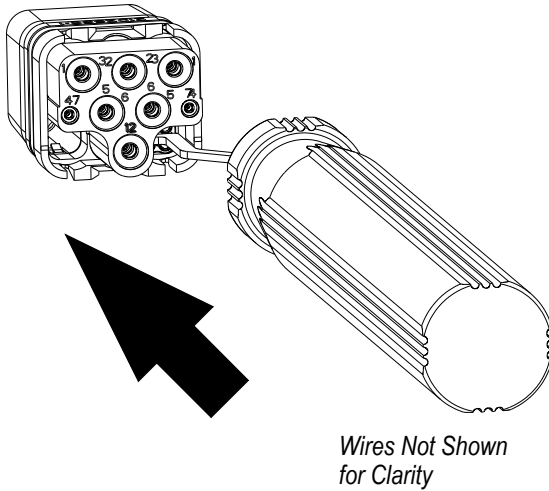


Figure 4

4. MAINTENANCE AND INSPECTION

It is recommended that each tool be inspected upon arrival to be sure it has not been damaged in transit. It should also be inspected at regularly scheduled intervals to be sure it remains functional.

Be sure to keep the tool clean. Keep the tool lightly oiled when not in use.

5. REVISION SUMMARY

Since the previous release, 2161946-2 was removed