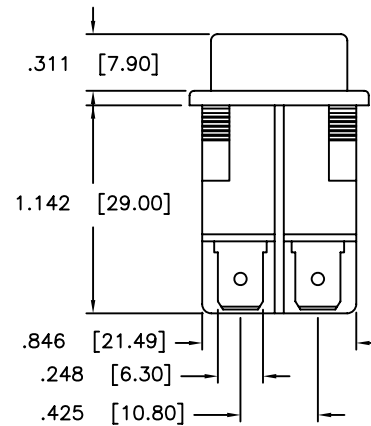
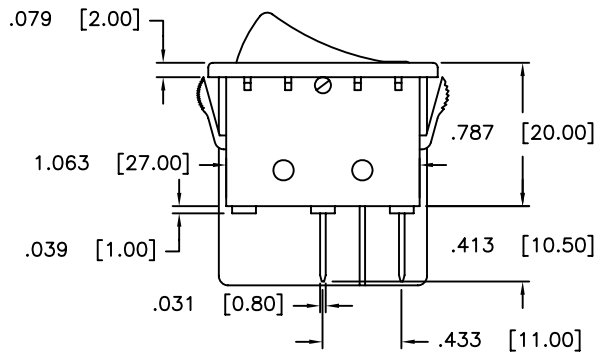
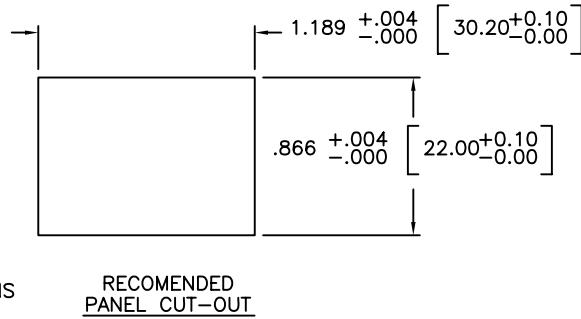
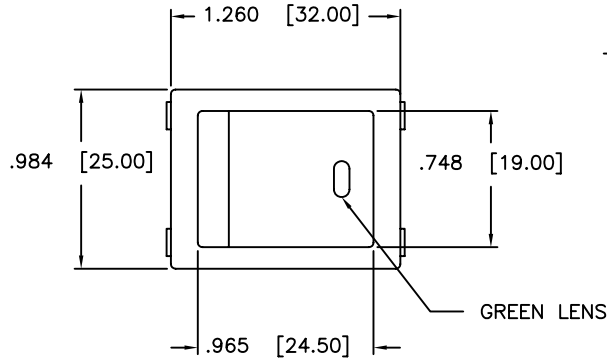


THIS DOCUMENT IS THE PROPERTY OF APEM COMPONENTS AND SHALL NOT BE COPIED, REPRODUCED, DISCLOSED OR USED AS THE BASIS FOR MANUFACTURING OR SALE WITHOUT PERMISSION OF A DULY AUTHORIZED REPRESENTATIVE OF APEM COMPONENTS INC.

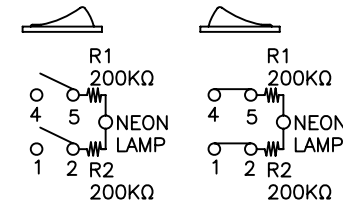
DATE	SYM	REVISION RECORD	DWN.	CK.



DESCRIPTION: DPST SNAP-IN ROCKER SWITCH WITH QUICK CONNECT TERMINALS, NEON LAMP WITH GREEN LENS AND "O" MARKING

RATING: 16A 125/250VAC 1/4HP (UL,CSA NRTL/C)  
 20A 125VAC 3/4HP 250VAC (UL)  
 16(4) 250V~T125 1E4,  
 10(2)A 250V~5E4  
 (VDE,SEMKO,DEMKO,NEMKO, FIMKO,SEV, ENEC)  
 16(4)A /10(2)A 250V~T125 1E4 PTI 175V (CQC)  
 10(2)A 250V~T125 5E4 PTI 175V (CQC)  
 INITIAL CONTACT RESISTANCE : 20m OHM MAX.  
 INSULATION RESISTANCE : 100M OHM MIN, AT 500VDC  
 DIELECTRIC STRENGTH : 1,000 VAC FOR 1 MINUTE  
 ELECTRICAL LIFE : 16(4) A 250VAC : 10,000 CYCLES  
 10(2) A 250VAC : 50,000 CYCLES  
 TEMPERATURE RANGE : -20°C TO + 125°C  
 SWITCH FOR CLASS II APPLIANCES  
 NEON LAMP RATING: 200-250VAC

MATERIALS:  
 BASE : NYLON 66, UL RATED : 94V-2 MIN  
 COLOR, BLACK  
 ACTUATOR : NYLON 66 /PC, UL RATED 94V-2 MIN  
 COLOR, BLACK  
 SPRING : PIANO WIRE  
 CONTACTS : SILVER COPPER ALLOY  
 TERMINALS : SILVER COPPER ALLOY



SCHEMATIC

Q.A. INSPECT. △	63 Neck RD. Haverhill, MA 01835 Tel: 978-372-1602 Fax: 978-372-3534			DRN. BY: CJD
DESIGNATES CRITICAL DIMENSION				CHK. BY: PJD
TOLERANCES (EXCEPT AS NOTED) .XX = ±0.02 [0.05] .XXX = ±0.008 [0.20] .XXXX = ±0.0008 [0.02] ANGLE = ±0.5°	INCH (MM)	SHEET 1 OF 1	SIZE B	SCALE 2:1
DO NOT SCALE DRAWING	DATE 4/4/07	DRAWING NO. R210122GBB1NNC		REV A

