

General Description

The MIC5326 is a low quiescent current, low dropout regulator designed for optimal performance in a small space. The MIC5326 is capable of sourcing 150mA of output current while only consuming 24 μ A of operating current. This high performance LDO offers low dropout, fast transient response, good PSRR, and low output voltage noise.

The MIC5326 is an ideal solution for battery operated applications due to low operating current of 24 μ A and extremely low dropout voltage of 85mV at 150mA. Equipped with a TTL logic compatible enable pin, the MIC5326 can be put into a zero-off-mode current state drawing virtually no current when disabled.

Board space and component cost is minimized because the MIC5326 operates with very small 1 μ F ceramic capacitors, provides fixed output voltages, and is available in the tiny 1.2mm x 1.6mm Thin MLF[®] package.

MIC5326 also features thermal shutdown and current limit protection.

Data sheets and support documentation can be found on Micrel's web site at www.micrel.com.

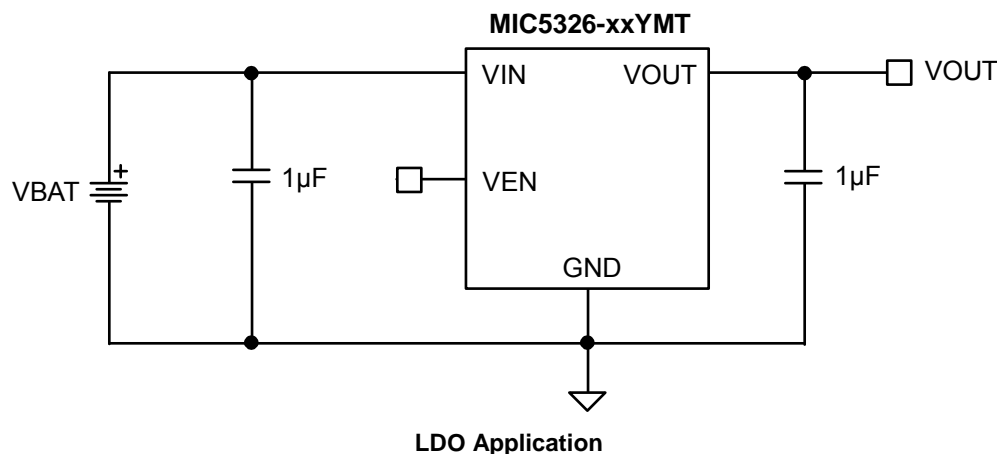
Features

- 150mA output current
- Input voltage range: 2.3V to 5.5V
- Low 24 μ A operating current
- Low dropout voltage of 85mV @ 150mA
- Fixed output voltage
- Stable with 1 μ F ceramic capacitors
- Thermal shutdown and current limit protection
- Tiny 4-pin 1.2mm x 1.6mm Thin MLF[®] package

Applications

- Mobile handsets
- GPS and navigation devices
- Portable media players
- Digital still and video cameras
- PDAs
- Portable electronics

Typical Application



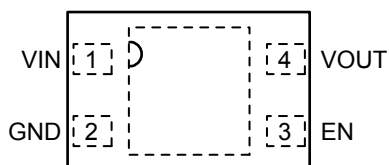
Ordering Information

Part Number	Marking ⁽²⁾	Voltage ⁽¹⁾	Temperature Range	Package ⁽³⁾
MIC5326-2.8YMT	2Q8	2.8V	-40° to +125°C	4-Pin 1.2mm x 1.6mm Thin MLF [®]

Note:

- For other voltage options contact Micrel Marketing.
- Pin 1 identifier= “▲”.
- MLF is a GREEN RoHS compliant package. Lead finish is NiPdAu. Mold compound is Halogen Free.

Pin Configuration



4-Pin 1.2mm x 1.6mm Thin MLF[®] (MT)

Pin Description

Pin Number	Pin Name	Pin Function
1	VIN	Supply Input.
2	GND	Ground.
3	EN	Enable Input: Active High Logic Input. Logic High = On; Logic Low = Off. Do not leave floating.
4	VOUT	Output Voltage.
HSPAD	EPAD	Exposed heatsink pad connected to ground internally.

Absolute Maximum Ratings⁽¹⁾

Supply Voltage (V_{IN})	-0.3V to +6V
Enable Voltage (V_{EN})	-0.3V to V_{IN}
Power Dissipation (P_D)	Internally Limited ⁽³⁾
Lead Temperature (soldering, 5sec.)	260°C
Junction Temperature(T_J)	-40°C to +125°C
Storage Temperature (T_S)	-65°C to +150°C
ESD Rating	2kV

Operating Ratings⁽²⁾

Supply Voltage (V_{IN})	2.3V to 5.5V
Enable/Select Voltage (V_{EN})	0V to V_{IN}
Junction Temperature (T_J)	-40°C to +125°C
Junction Thermal Resistance	
1.2mm x 1.6mm Thin MLF-4 (θ_{JA})	173°C/W

Electrical Characteristics⁽⁵⁾

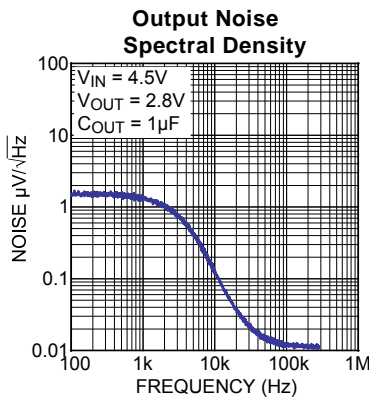
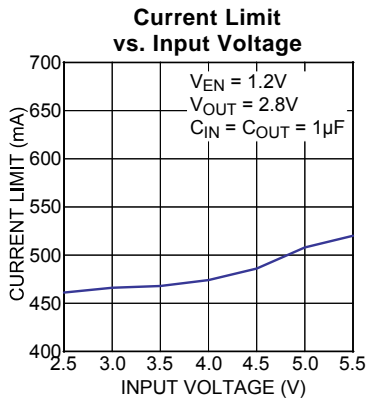
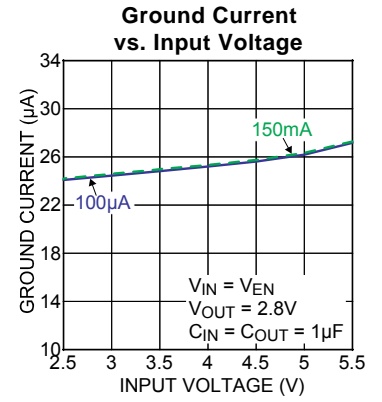
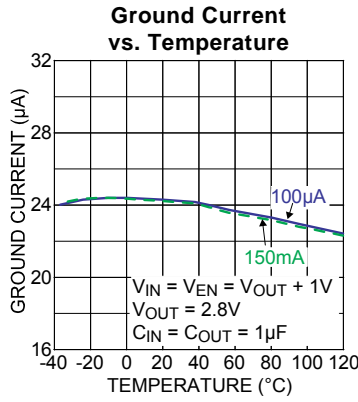
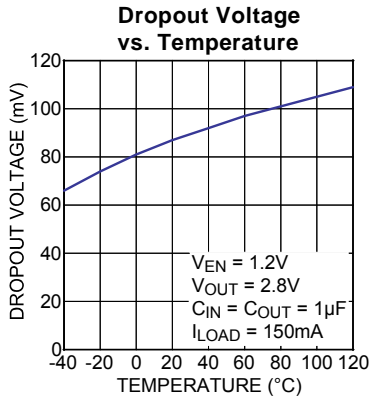
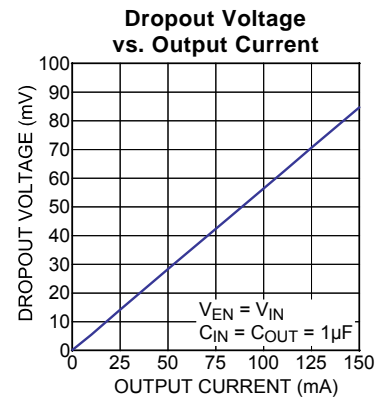
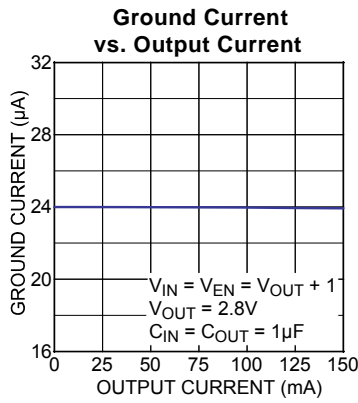
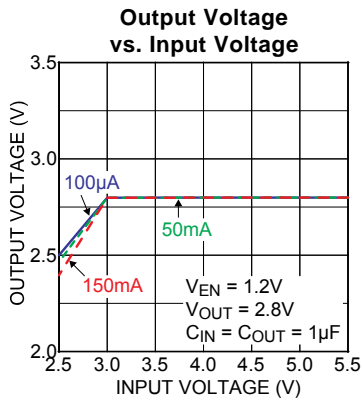
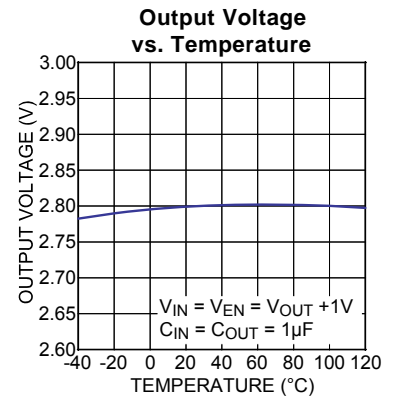
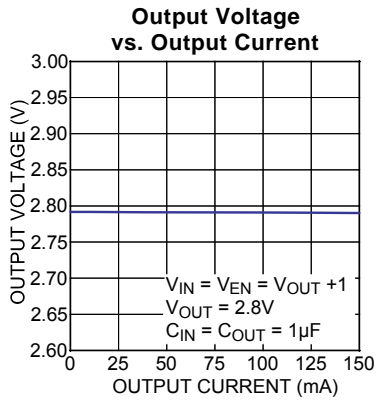
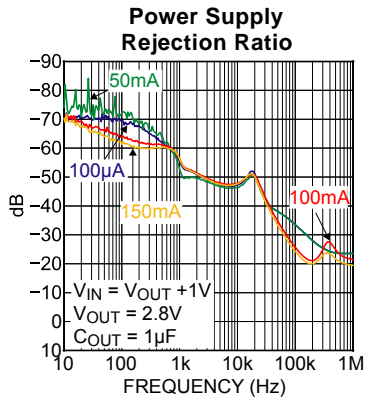
$V_{IN} = V_{EN} = V_{OUT} + 1V$; $C_{OUT} = 1\mu F$; $I_{OUT} = 100\mu A$; $T_J = 25^\circ C$, **bold** values indicate $-40^\circ C$ to $+125^\circ C$, unless noted.

Parameter	Condition	Min	Typ	Max	Units
Output Voltage Accuracy	Variation from nominal V_{OUT}	-1.5		+1.5	%
	Variation from nominal V_{OUT}	-2.0		+2.0	%
Line Regulation	$V_{IN} = V_{OUT} + 1V$ to 5.5V, $I_{OUT} = 100\mu A$		0.01	0.3	%/V
	$V_{IN} = V_{OUT} + 1V$ to 5.5V, $I_{OUT} = 100\mu A$			0.5	%/V
Load Regulation ⁽⁶⁾	$I_{OUT} = 100\mu A$ to 150mA		0.05	1	%
Dropout Voltage ⁽⁷⁾	$I_{OUT} = 50mA$		30		mV
	$I_{OUT} = 100mA$		55		mV
	$I_{OUT} = 150mA$		85	150	mV
Ground Pin Current ⁽⁸⁾	$I_{OUT} = 100\mu A$ to 150mA		24	35	μA
Ground Pin Current in Shutdown	$V_{EN} = 0V$		0.01	1	μA
Ripple Rejection	$f = 1kHz$; $C_{OUT} = 1\mu F$; $I_{OUT} = 150mA$		60		dB
	$f = 20kHz$; $C_{OUT} = 1\mu F$; $I_{OUT} = 150mA$		50		dB
Current Limit	$V_{OUT} = 0V$	275	475	750	mA
Output Voltage Noise	$C_{OUT} = 1\mu F$, 10Hz to 100kHz		90		μV_{RMS}
Enable Voltage					
Enable Voltage	Logic Low			0.2	V
	Logic High	1.2			V
Enable Current	$V_{IL} \leq 0.2V$		0.01	1	μA
	$V_{IH} \geq 1.2V$		0.01	1	μA
Turn on Time	$C_{OUT} = 1\mu F$; $I_{OUT} = 150mA$		150	500	μs

Notes:

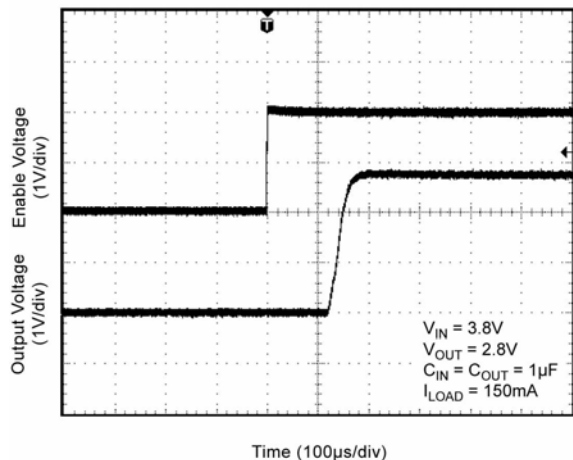
- Exceeding the absolute maximum rating may damage the device.
- The device is not guaranteed to function outside its operating rating.
- The maximum allowable power dissipation of any T_A (ambient temperature) is $P_{D(max)} = (T_{J(max)} - T_A) / \theta_{JA}$. Exceeding the maximum allowable power dissipation will result in excessive die temperature, and the regulator will go into thermal shutdown.
- Devices are ESD sensitive. Handling precautions recommended. Human body model, 1.5k Ω in series with 100pF.
- Specification for packaged product only.
- Regulation is measured at constant junction temperature using low duty cycle pulse testing.
- Dropout voltage is defined as the input to output differential at which the output voltage drops 2% below its nominal V_{OUT}
- Ground pin current is the regulator quiescent current. The total current drawn from the supply is the sum of the load current plus the ground pin current.

Typical Characteristics

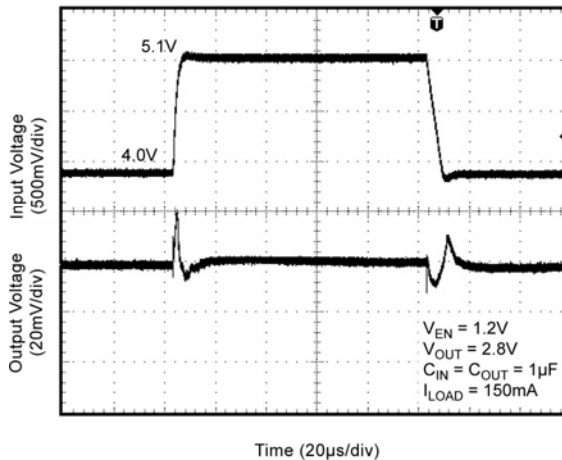


Functional Characteristics

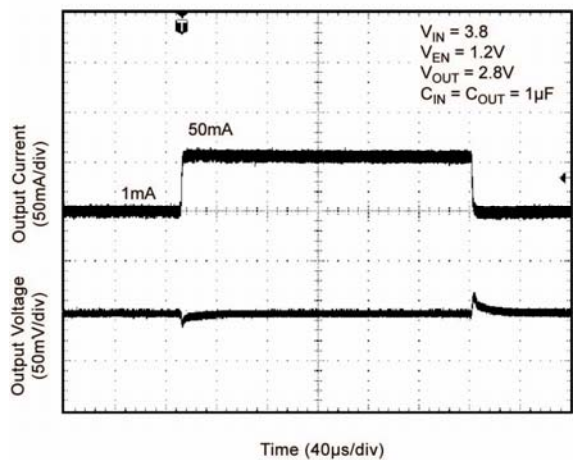
Turn-On Time



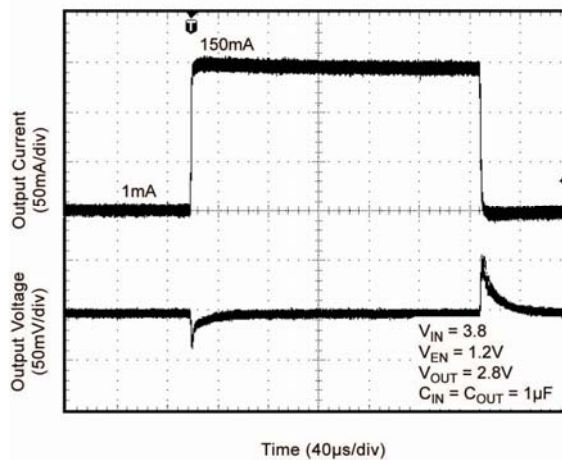
Line Transient



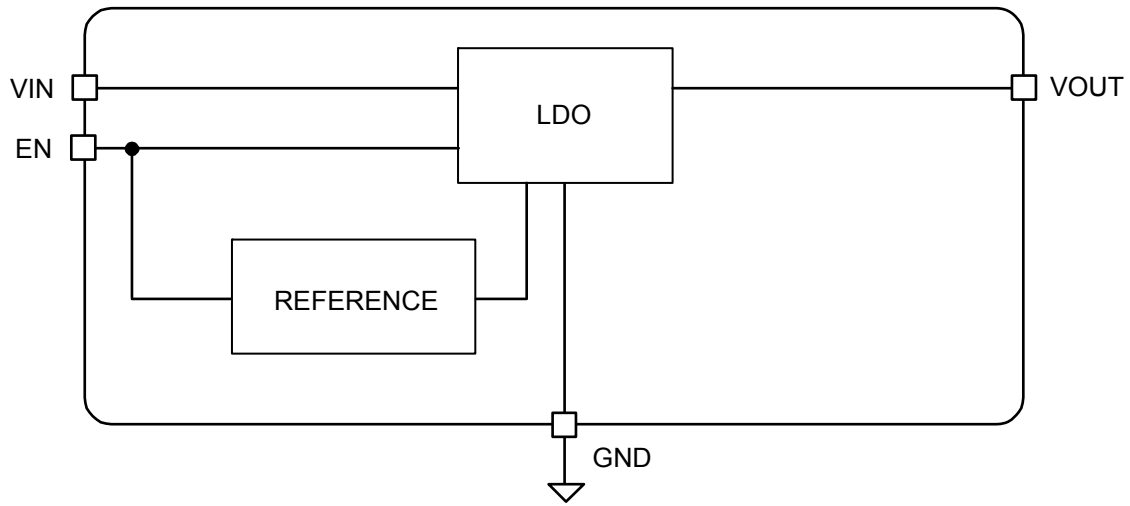
Load Transient



Load Transient



Functional Diagram



MIC5326 Block Diagram

Applications Information

The MIC5326 is a low quiescent current, low dropout regulator designed for optimal performance in a small space. The MIC5326 regulator is fully protected from damage due to fault conditions, offering linear current limiting and thermal shutdown.

Input Supply Voltage

V_{IN} provides the supply to power the LDO. The minimum input voltage is 2.3V allowing conversion from typical lithium ion batteries and low voltage supplies.

Input Capacitor

The MIC5326 is a high performance, high bandwidth device; therefore it requires a well bypassed input supply for optimal performance. A 1 μ F capacitor is required from the input to ground to provide stability. Low ESR ceramic capacitors provide optimal performance with minimum space required. Additional high frequency capacitors, such as small value NPO dielectric type capacitors, help filter out high frequency noise and are good practice in any RF circuit.

Output Capacitor

The MIC5326 requires an output capacitor of 1 μ F or greater to maintain stability. The design is optimized for use with low ESR ceramic chip capacitors. High ESR capacitors may cause high frequency oscillation. The output capacitor can be increased, but performance has been optimized for a 1 μ F ceramic output capacitor. X7R/X5R dielectric type ceramic capacitors are recommended because of their temperature performance. X7R type capacitors change capacitance by 15% over their operating temperature range. Z5U and Y5V dielectric capacitors change value by as much as 50% and 60% respectively over their operating temperature ranges. To use a ceramic chip capacitor with Y5V dielectric the value must be much higher than an X7R ceramic capacitor to ensure the same minimum capacitance over the equivalent operating temperature range.

Minimum Load Current

The MIC5326 does not require a minimum load to maintain output voltage regulation.

Enable/ Shutdown

The MIC5326 comes with an active high enable pin that enables the regulator. Forcing the enable pin low disables the regulator and sends it into a “zero” off mode current state. In this state, current consumed by the regulator goes nearly to zero. The active high enable pin uses CMOS technology and cannot be left floating; a floating enable pin may cause an unknown output state.

Thermal Considerations

The MIC5326 is designed to provide 150mA continuous output current from a very small footprint package. Maximum ambient operating temperature can be calculated based on the output current and the voltage drop across the part. For example: given that the input voltage is 3.6V, the output voltage is 2.8V and the output current is 150mA. The power dissipation of the regulator circuit can be determined using the equation:

$$P_D = (V_{IN} - V_{OUT}) I_{OUT} + V_{IN} I_{GND}$$

Because this device is CMOS and the ground current is typically <100 μ A over the load range, the power dissipation contributed by the ground current is < 1% and can be ignored for this calculation.

$$P_D = (3.6V - 2.8V) \times 150mA$$

$$P_D = 0.12W$$

To determine the maximum ambient operating temperature use the junction to ambient thermal resistance of the device and the following basic equation:

$$P_{D(max)} = \left(\frac{T_{J(max)} - T_A}{\theta_{JA}} \right)$$

The maximum junction temperature of the die, $T_{J(max)} = 125^\circ\text{C}$. The package thermal resistance, $\theta_{JA} = 173^\circ\text{C/W}$.

Substituting P_D for $P_{D(max)}$ and solving for the ambient operating temperature will give the maximum operating conditions for the regulator circuit.

The maximum power dissipation must not be exceeded for proper operation.

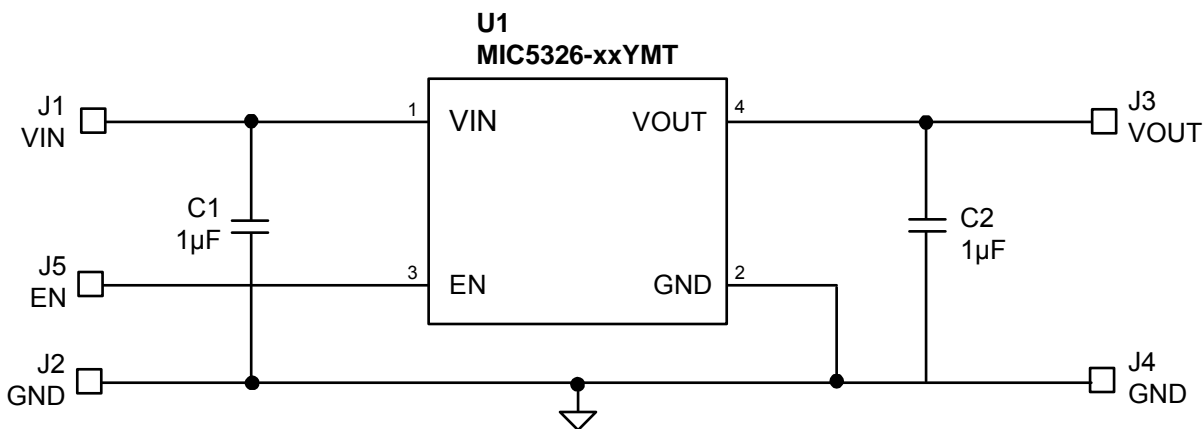
For example, when operating the MIC5326 at an input voltage of 3.6V and 150mA load with a minimum footprint layout, the maximum ambient operating temperature T_A can be determined as follows:

$$0.12W = (125^\circ\text{C} - T_A)/(173^\circ\text{C/W})$$

$$T_A = 104.24^\circ\text{C}$$

Therefore a 2.8V 150mA application can accept an ambient operating temperature of 104.24 $^\circ\text{C}$ in a 1.2mm x 1.6mm Thin MLF[®] package. For a full discussion of heat sinking and thermal effects on voltage regulators, refer to the “Regulator Thermals” section of *Micrel’s Designing with Low Dropout Voltage Regulators* handbook. This information can be found on Micrel’s website at:

http://www.micrel.com/_PDF/other/LDOBk_ds.pdf



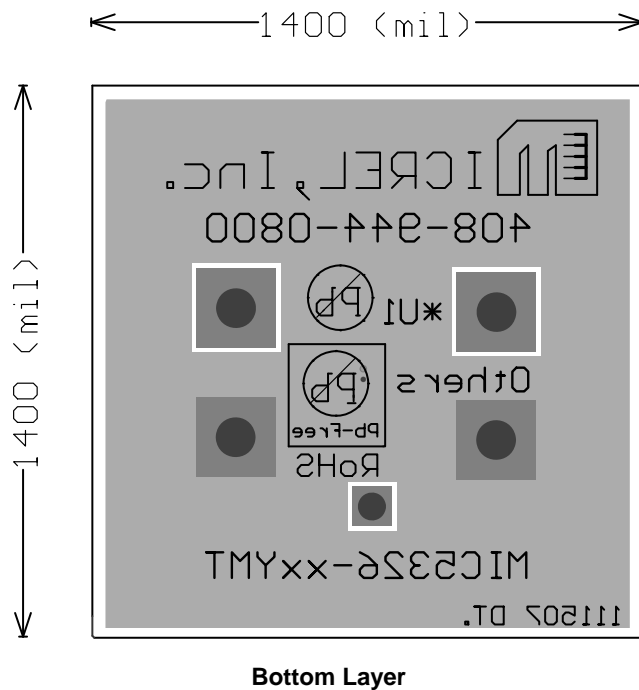
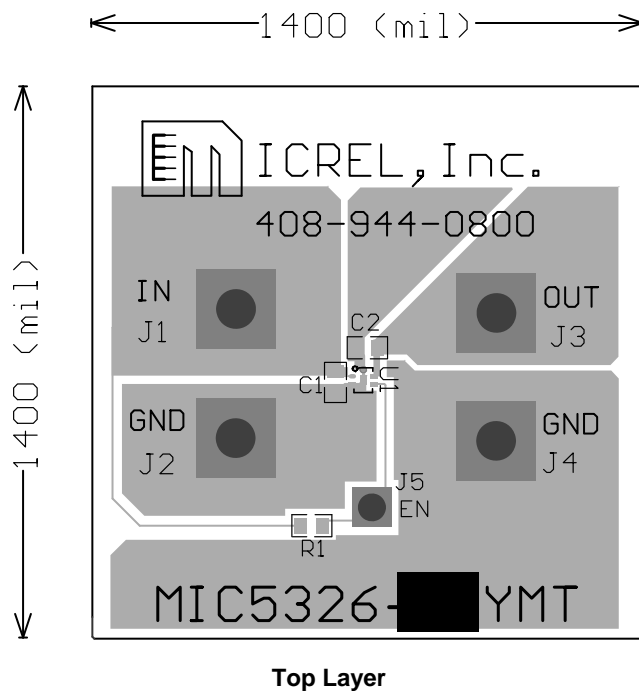
Bill of Materials

Item	Part Number	Manufacturer	Description	Qty.
C1, C2	C1608X5R0J105K	TDK ⁽¹⁾	Capacitor, 1µF, 10V, X5R, Size 0603	2
U1	MIC5326-xxYMT	Micrel, Inc. ⁽²⁾	150mA Low Operating Current LDO	1

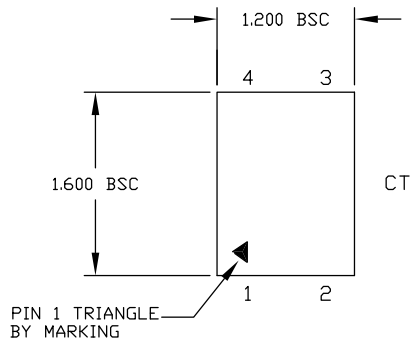
Notes:

1. TDK: www.tdk.com
2. Micrel, Inc.: www.micrel.com

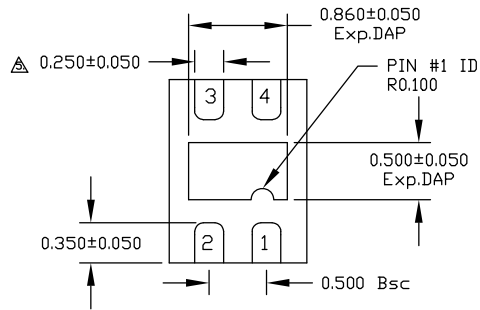
PCB Layout Recommendations



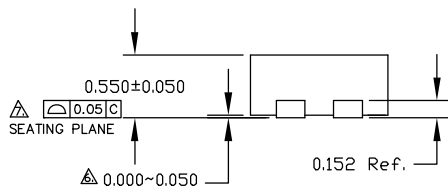
Package Information



TOP VIEW



BOTTOM VIEW



SIDE VIEW

- NOTE:
1. ALL DIMENSIONS ARE IN MILLIMETERS.
 2. MAX. PACKAGE WARPAGE IS 0.05 mm.
 3. MAXIMUM ALLOWABLE BURRS IS 0.076 mm IN ALL DIRECTIONS.
 4. PIN #1 ID ON TOP WILL BE LASER/INK MARKED.
- △ DIMENSION APPLIES TO METALIZED TERMINAL AND IS MEASURED BETWEEN 0.20 AND 0.25 mm FROM TERMINAL TIP.
- △ APPLIED ONLY FOR TERMINALS.
- △ APPLIED FOR EXPOSED PAD AND TERMINALS.

4-Pin 1.2mm x 1.6mm Thin MLF® (MT)

MICREL, INC. 2180 FORTUNE DRIVE SAN JOSE, CA 95131 USA
 TEL +1 (408) 9440800 FAX +1 (408) 4741000 WEB <http://www.micrel.com>

The information furnished by Micrel in this data sheet is believed to be accurate and reliable. However, no responsibility is assumed by Micrel for its use. Micrel reserves the right to change circuitry and specifications at any time without notification to the customer.

Micrel Products are not designed or authorized for use as components in life support appliances, devices or systems where malfunction of a product can reasonably be expected to result in personal injury. Life support devices or systems are devices or systems that (a) are intended for surgical implant into the body or (b) support or sustain life, and whose failure to perform can be reasonably expected to result in a significant injury to the user. A Purchaser's use or sale of Micrel Products for use in life support appliances, devices or systems is a Purchaser's own risk and Purchaser agrees to fully indemnify Micrel for any damages resulting from such use or sale.

© 2008 Micrel, Incorporated.