

4

3

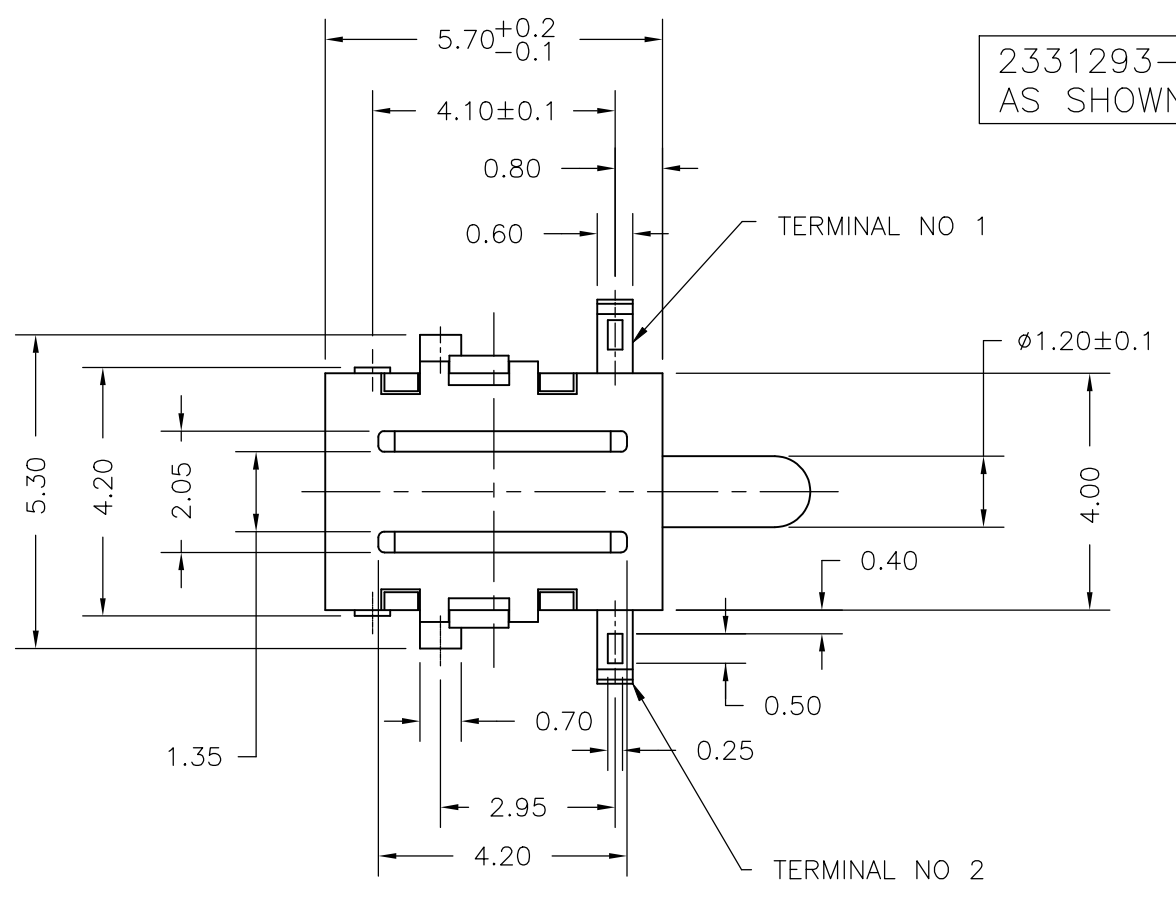
2

1

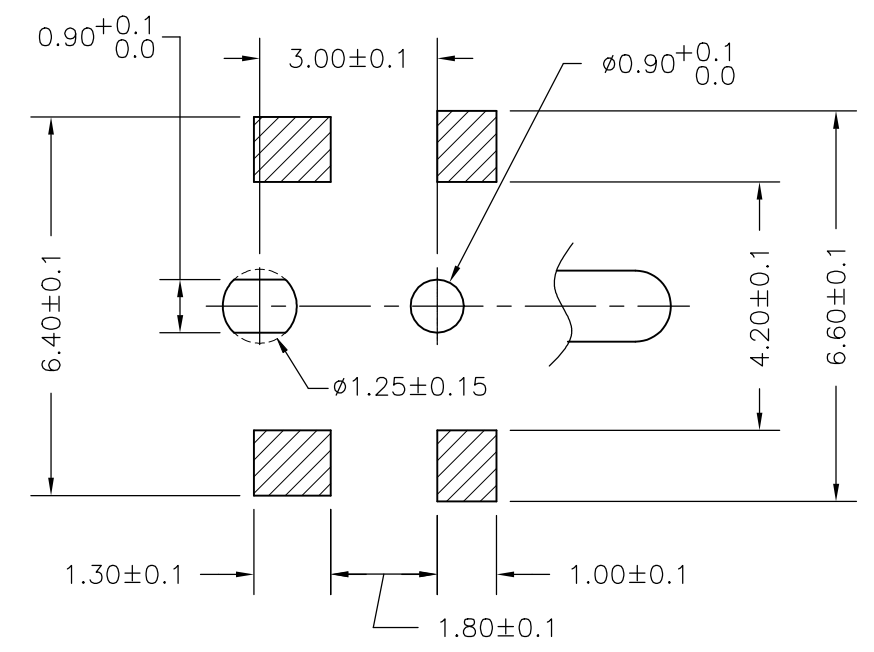
THIS DRAWING IS UNPUBLISHED. RELEASED FOR PUBLICATION  
 © COPYRIGHT - TE Connectivity Ltd. ALL RIGHTS RESERVED.

REVISIONS				
P	LTR	DESCRIPTION	DATE	APVD
A		ECR-18-012767	16AUG2018	RSM AS

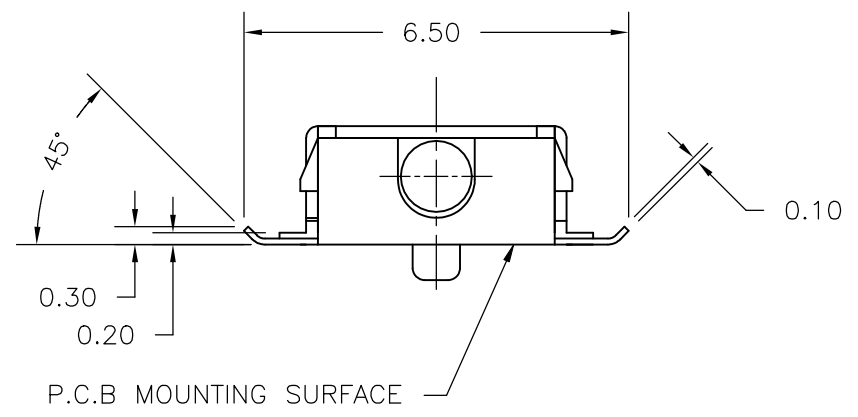
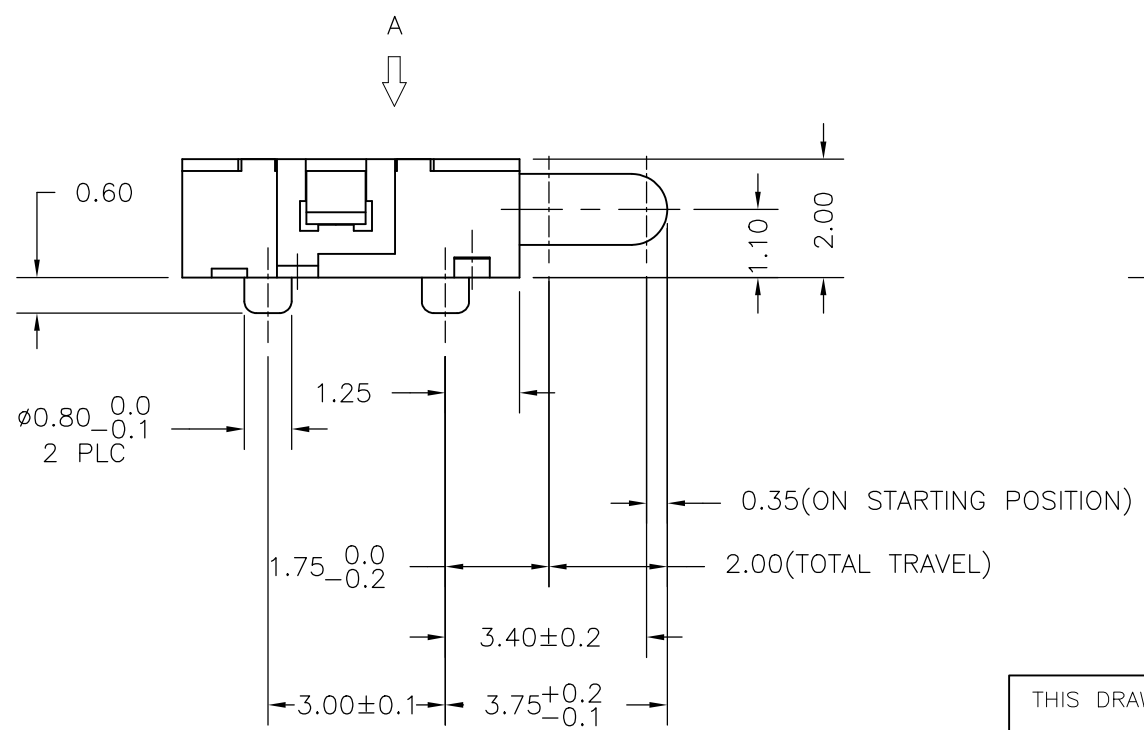
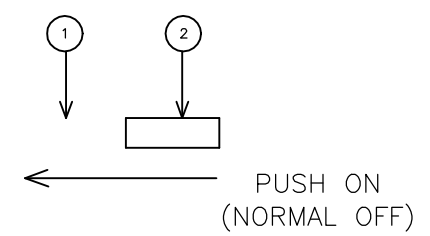
2331293-1  
AS SHOWN



PCB LAYOUT  
(VIEWED FROM THE DIRECTION "A")



CIRCUIT DIAGRAM(NORMAL)



THIS DRAWING IS A CONTROLLED DOCUMENT.		DWN	16APR2018		 TE Connectivity Ltd.
		CHK	16APR2018		
		APVD	16APR2018		
		PRODUCT SPEC	ALEXANDER SHARPE		
DIMENSIONS: mm		TOLERANCES UNLESS OTHERWISE SPECIFIED:		NAME	
		0 PLC ± - 1 PLC ± - 2 PLC ± 0.20 3 PLC ± - 4 PLC ± - ANGLES ± -		DETECTOR SWITCH, JJM SERIES, 5.7X4.0mm, HORIZONTAL, SMT, POSTS	
MATERIAL		FINISH		SIZE	
				CAGE CODE	
				DRAWING NO	
				RESTRICTED TO	
				A3 00779 C-2331293	
		CUSTOMER DRAWING		SCALE	
				8:1	
				SHEET	
				1 of 3	
				REV	
				A	

THIS DRAWING IS UNPUBLISHED.

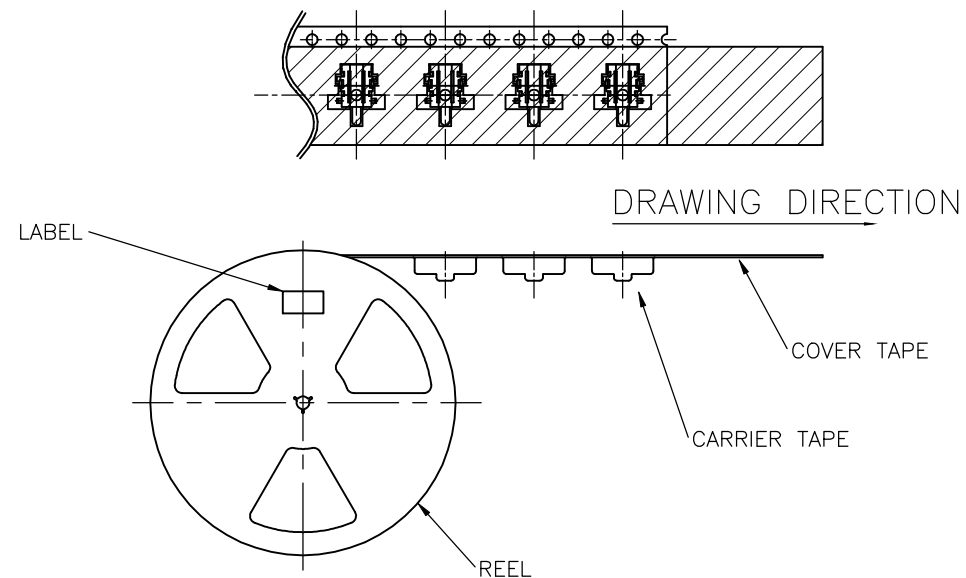
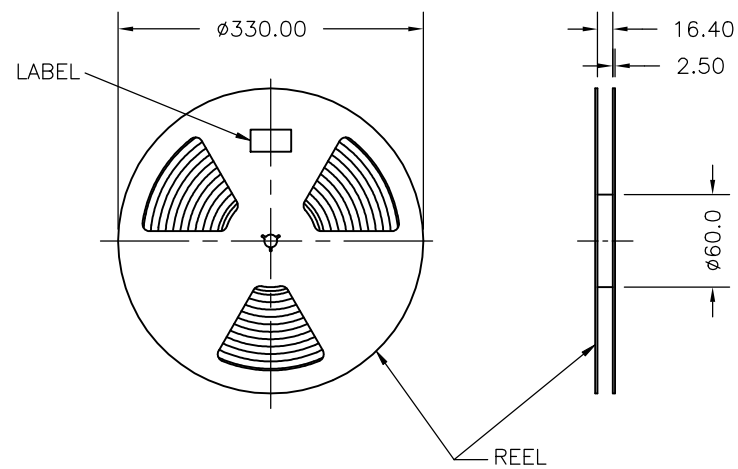
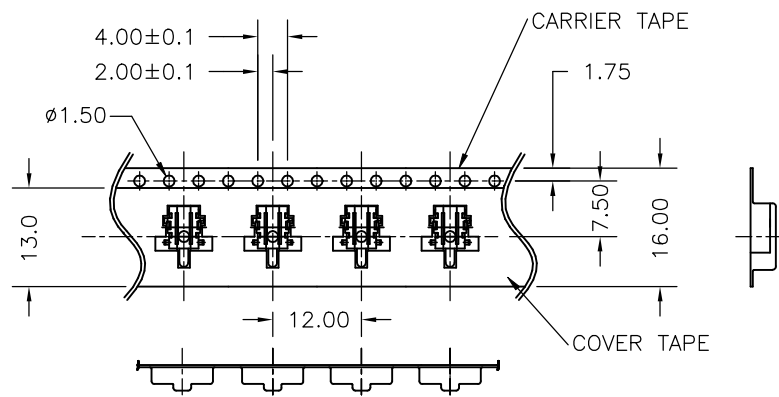
RELEASED FOR PUBLICATION

© COPYRIGHT - TE Connectivity Ltd.

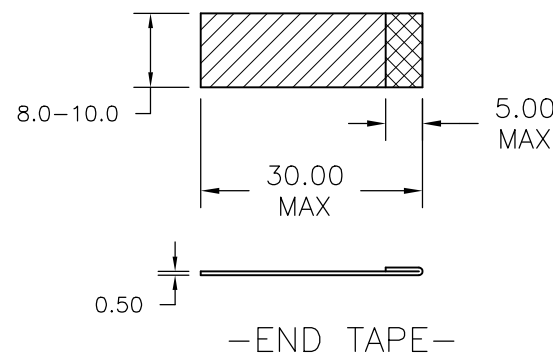
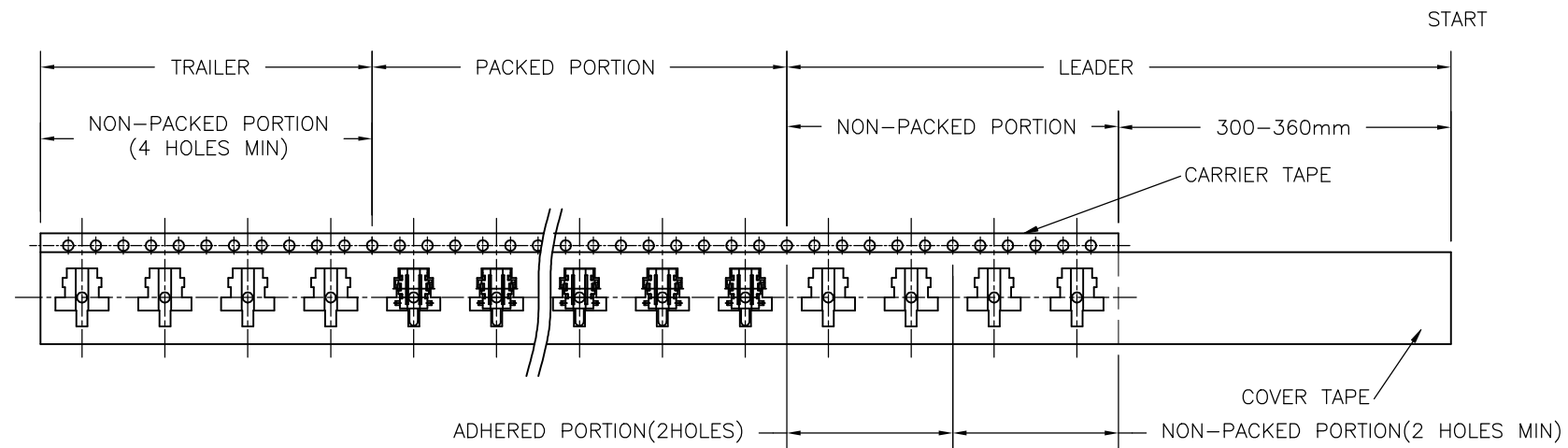
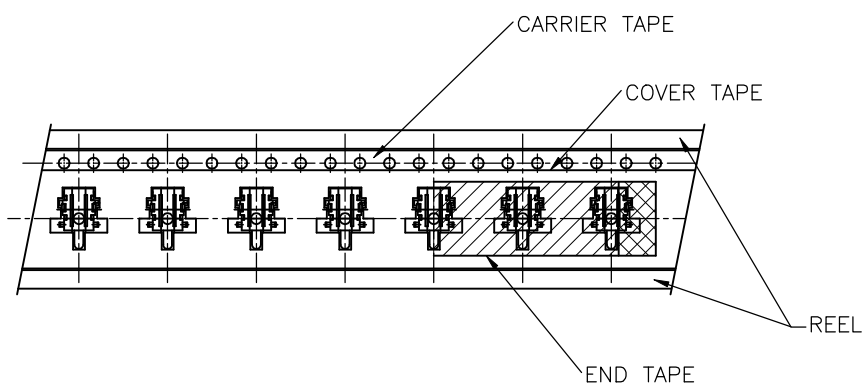
ALL RIGHTS RESERVED.

REVISIONS


P	LTR	DESCRIPTION	DATE	DWN	APVD
-	-	SEE SHEET 1	-	-	-



-THE DIRECTION OF PILOT HOLES-



NOTE  
1. 1,900 SWITCHES PER REEL

THIS DRAWING IS A CONTROLLED DOCUMENT.		DWN RAVI.S 16APR2018	 TE Connectivity Ltd.													
DIMENSIONS: mm		CHK ALEXANDER SHARPE 16APR2018														
TOLERANCES UNLESS OTHERWISE SPECIFIED:		APVD ALEXANDER SHARPE 16APR2018	NAME DETECTOR SWITCH, JJM SERIES, 5.7X4.0mm, HORIZONTAL, SMT, POSTS													
<table border="0"> <tr><td>0 PLC</td><td>± -</td></tr> <tr><td>1 PLC</td><td>± -</td></tr> <tr><td>2 PLC</td><td>± 0.20</td></tr> <tr><td>3 PLC</td><td>± -</td></tr> <tr><td>4 PLC</td><td>± -</td></tr> <tr><td>ANGLES</td><td>± -</td></tr> </table>		0 PLC	± -	1 PLC	± -	2 PLC	± 0.20	3 PLC	± -	4 PLC	± -	ANGLES	± -	PRODUCT SPEC -	SIZE A3	
0 PLC	± -															
1 PLC	± -															
2 PLC	± 0.20															
3 PLC	± -															
4 PLC	± -															
ANGLES	± -															
MATERIAL -		FINISH -	APPLICATION SPEC -	CAGE CODE 00779												
		WEIGHT -	DRAWING NO C-2331293	RESTRICTED TO -												
CUSTOMER DRAWING			SCALE 1:1	SHEET 2 of 3												
			REV A													

THIS DRAWING IS UNPUBLISHED. RELEASED FOR PUBLICATION  
 © COPYRIGHT - TE Connectivity Ltd. ALL RIGHTS RESERVED.

REVISIONS

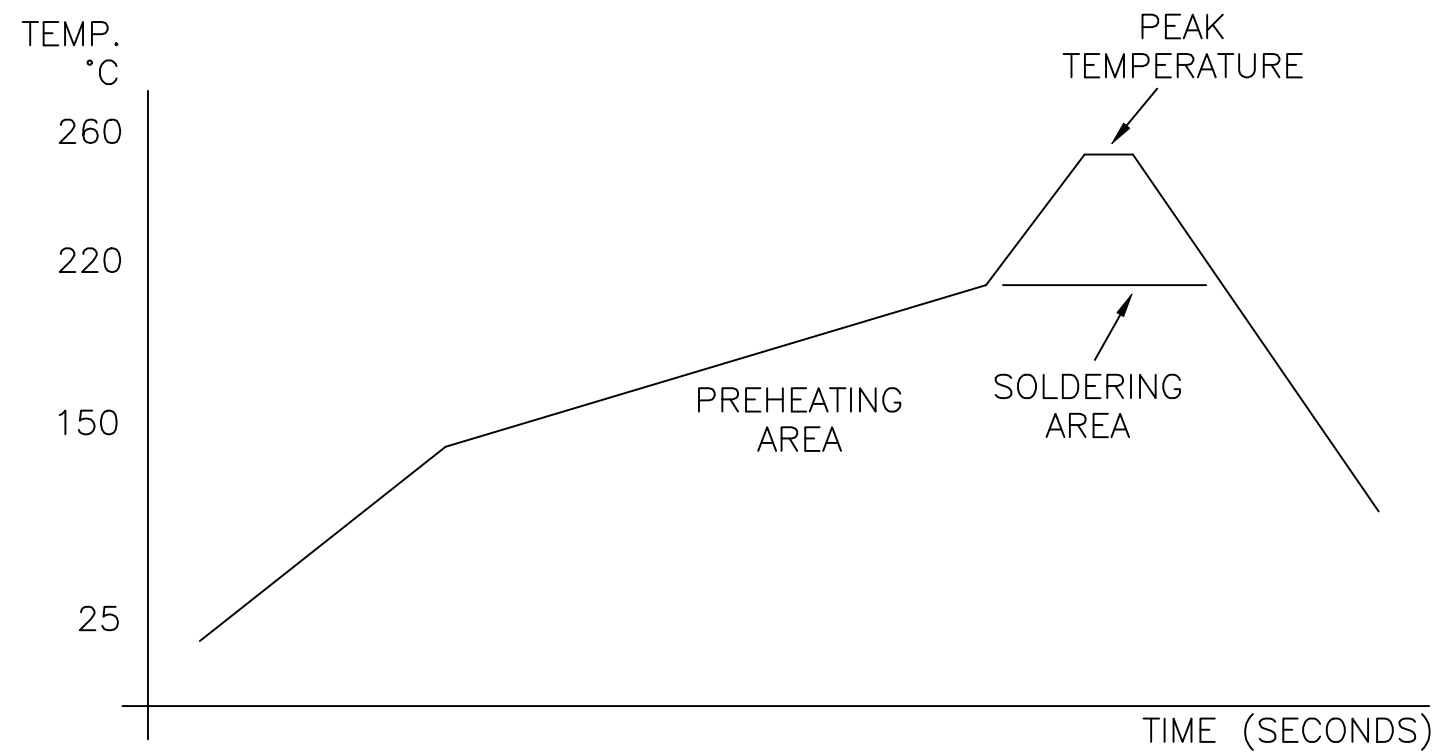
P	LTR	DESCRIPTION	DATE	DWN	APVD
-	-	SEE SHEET 1	-	-	-

SOLDERING CONDITIONS

REFLOW SOLDERING:

- 1 PREHEAT: 150 TO 200°C, 120±20 SECONDS
- 2 PEAK TEMPERATURE: 260°C MAXIMUM, 10 SECONDS
- 3 SOLDERING AREA TEMPERATURE: 217°C, 90 TO 120 SECONDS

1. RATING: DC 12V, 100mA(RESISTIVE LOAD)
2. OPERATING FORCE: 70gf MAX
3. LIFE CYCLE: 50,000 CYCLES WITHOUT LOAD
4. CONTACT RESISTANCE: 80mΩ MAXIMUM
5. INSULATION RESISTANCE: 100MΩ MINIMUM
6. OPERATING TEMPERATURE RANGE: -10° TO 60°C
7. STORAGE TEMPERATURE RANGE: -30° TO 80°C. NOTE: 96 HOURS MAXIMUM FOR CONTINUOUS STORAGE OVER A RANGE -20 TO -30°C AND 70 TO 80°C
8. COMPLIANCE- ALL MATERIALS AND FINISHES SHALL COMPLY WITH EU DIRECTIVE 2002/95/EC OF 27 JAN 2003 (RoHS)



TEMPERATURE PROFILE

JJMHOUG200NOPMRTR	2331293-1
SMART PART NUMBER	PART NUMBER

-	-	-	STAINLESS STEEL	COIL SPRING
BLACK	UL 94V-0	-	THERMOPLASTIC	ACTUATOR
-	-	SILVER CLAD	COPPER ALLOY	CONTACTOR
-	-	SILVER PLATING	COPPER ALLOY	TERMINAL
-	-	TIN PLATING	STEEL	COVER
BLACK	UL 94V-0	-	THERMOPLASTIC	CASE
COLOR	RATING	FINISH	MATERIAL	PART NAME

THIS DRAWING IS A CONTROLLED DOCUMENT.		DWN 16APR2018 RAVI.S	TE Connectivity Ltd.	
DIMENSIONS: mm		CHK 16APR2018 ALEXANDER SHARPE		
		APVD 16APR2018 ALEXANDER SHARPE	NAME DETECTOR SWITCH, JJM SERIES, 5.7X4.0mm, HORIZONTAL, SMT, POSTS	
TOLERANCES UNLESS OTHERWISE SPECIFIED:		PRODUCT SPEC	RESTRICTED TO	
0 PLC ± -		APPLICATION SPEC	SIZE	CAGE CODE
1 PLC ± -		WEIGHT	A3	00779
2 PLC ± 0.20		DRAWING NO		DRAWING NO
3 PLC ± -		A3		00779
4 PLC ± -		SCALE		1:1
ANGLES ± -		SHEET		3 of 3
FINISH		REV		A
MATERIAL		CUSTOMER DRAWING		