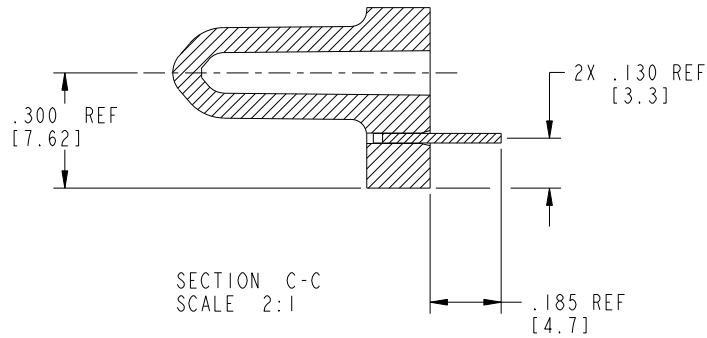
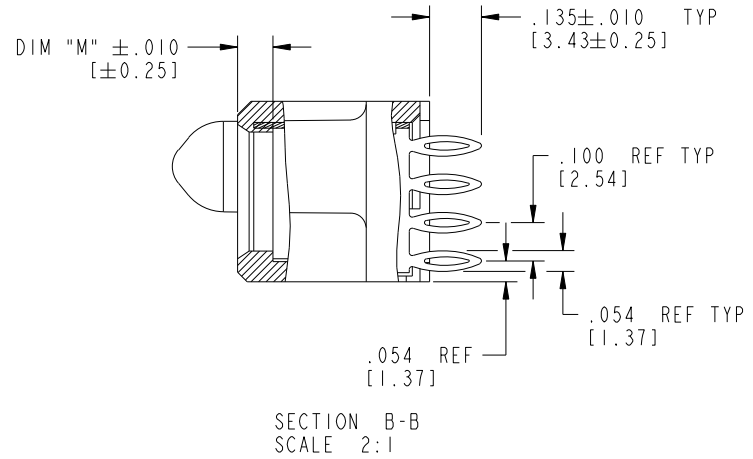
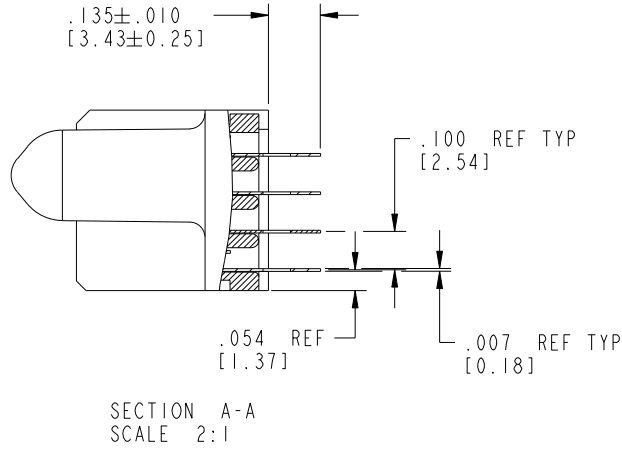


Tous droits strictement réservés. Reproduction ou communication a des tiers interdite sous quelque forme que ce soit sans autorisation écrite du propriétaire. Propriété de c FCI. Droits de reproduction FCI.

All rights strictly reserved. Reproduction or issue to third parties in any form whatever is not permitted without written authority from the proprietor. Property of FCI. Copyright FCI.



PRODUCT NUMBER
51750-057--
NOTE: ③



mat'l code		SEE NOTE 2		tolerances unless otherwise specified		CUSTOMER		FCI	
ltr	ecn no.	dr	date	linear	.XX±.01/0.X±0.3	projection	www.fciconnect.com		
D					.XX±.005/0.XX±0.13	INCH/MM	title 4P + 40S + 4P		
				angles	.XXX±.0020/0.XXX±0.051	1:1	VERTICAL PRESS-FIT RECEPT		
				dr	0°±2°		product family PwrBlade		code
				enr	D. INGRAM 02/11/04		size		213
				chr	M. GRAY 02/11/04		dwg no		sheet
				appd	M. GRAY 02/11/04		A 51750-057		2 of 4
sheet index	revision sheet								

Pro/E

PDM: Rev: D

STATUS: Released

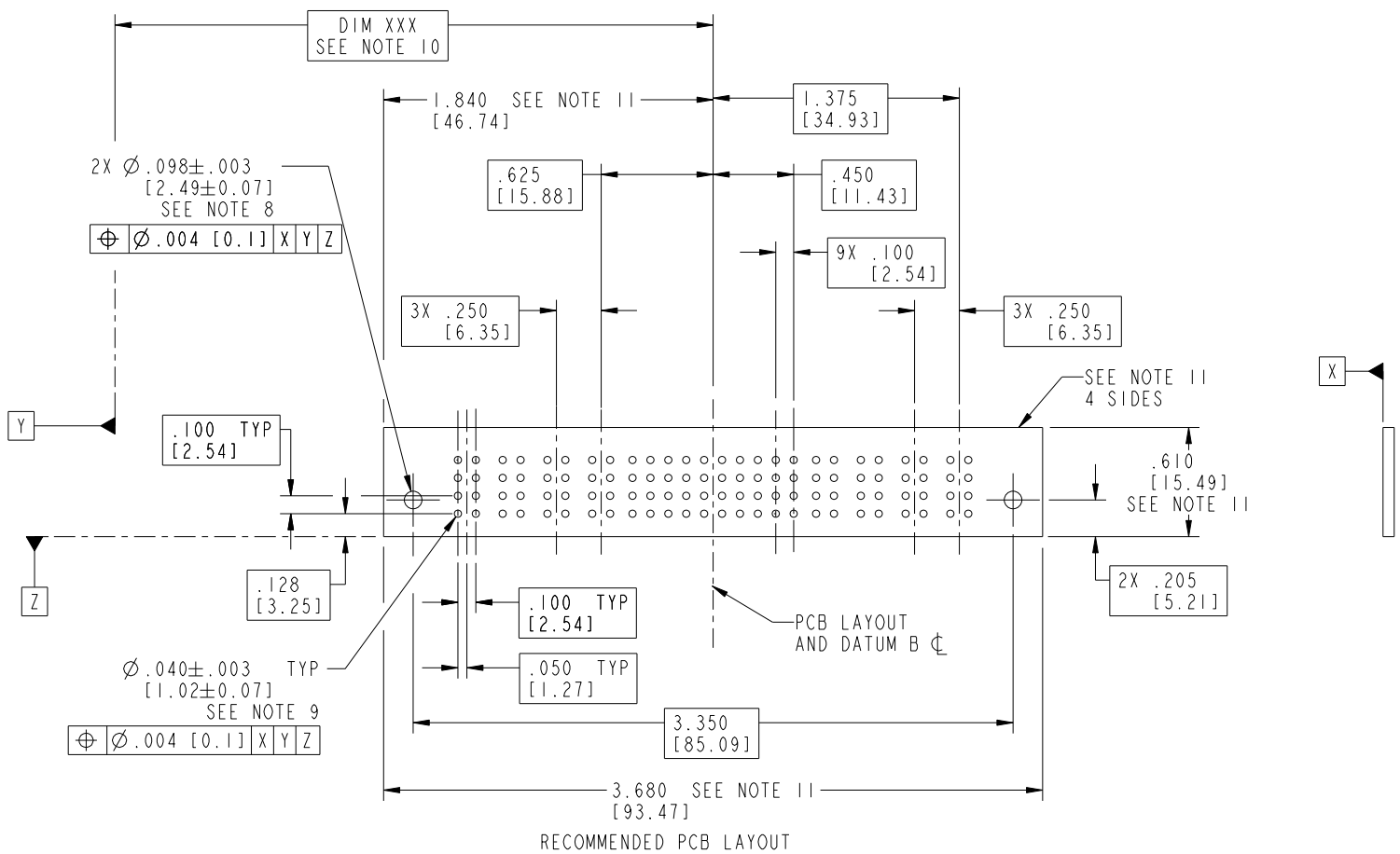
Printed: Dec 20, 2010

Tous droits strictement réservés. Reproduction ou communication a des tiers interdite sous quelque forme que ce soit sans autorisation écrite du propriétaire. Propriété de c FCI. Droits de reproduction FCI.

All rights strictly reserved. Reproduction or issue to third parties in any form whatever is not permitted without written authority from the proprietor. Property of FCI. Copyright FCI.



PRODUCT NUMBER
51750-057
NOTE: ③



RECOMMENDED PCB LAYOUT

mat'l code		SEE NOTE 2		tolerances unless otherwise specified		CUSTOMER		 www.fciconnect.com	
ltr	ecn no.	dr	date	linear	.XX±.01/0.X±0.3	COPY		title	
D				angles	.XXY±.005/0.XX±0.13	projection		4P + 40S + 4P	
				enr	.XXX±.0020/0.XXX±0.051			VERTICAL PRESS-FIT RECEPT	
				chr	0°+2°	INCH/MM		product family	
				appd	D. INGRAM 02/11/04	scale		PwrBlade	
					M. GRAY 02/11/04	1:1		code	
					M. GRAY 02/11/04			213	
					M. GRAY 02/11/04			sheet	
sheet index	revision sheet							3 of 4	
								A 51750-057	

cage code 28516

Pro/E

PDM: Rev: D

STATUS: Released

Printed: Dec 20, 2010

PRODUCT NUMBER
 51750-057--
 NOTE: ③

NOTES:

1. DIMENSIONS AND TOLERANCES ARE IN ACCORDANCE WITH ASME Y14.5M, 1994 UNLESS OTHERWISE SPECIFIED.

CONNECTOR NOTES:

- ② HOUSING MATERIAL: UL 94 V-0 GLASS FILLED HIGH-TEMP THERMOPLASTIC
 POWER CONTACT MATERIAL: COPPER ALLOY
 SIGNAL PIN MATERIAL: COPPER ALLOY

△ 3. SEE ITEM 7 & 8 IN PRINT 10064183 FOR PLATING SPEC OF 51750-057 AND 51750-057LF RESPECTIVELY.

④ MANUFACTURER'S NAME, P/N, AND DATE CODE TO APPEAR ON THIS SURFACE.

5. PRODUCT SPECIFICATION GS-12-149.
APPLICATION SPECIFICATION BUS-20-067.

6. PACKAGED IN TRAYS.

PCB NOTES:

7. ALL HOLE DIAMETERS ARE FINISHED HOLE SIZE.

⑧ MOUNTING HOLES, WHERE APPLICABLE, ARE UNPLATED.

⑨ $\varnothing .0453 \pm .0010$ [1.151 \pm 0.025] DRILLED HOLES PLATED WITH
 .0003 [0.008] MIN SnPb OVER .001 [0.03]
 TO .003 [0.08] Cu PLATING TO ACHIEVE
 $\varnothing .040 \pm .003$ [1.02 \pm .07] HOLE.

⑩ "DIM XXX" TO BE DETERMINED BY THE CUSTOMER.

⑪ CONNECTOR KEEP-OUT ZONE.

12. A △/D SYMBOL WILL BE NEXT TO ANY DIMENSION, VIEW, OR NOTE WHICH HAS BEEN MODIFIED WITH THE CURRENT DRAWING REVISION.

mat'l code		SEE NOTE 2		tolerances unless otherwise specified		CUSTOMER		FCJ	
ltr	ecn no.	dr	date	linear	.XX ± .01 / 0.X ± 0.3	COPY		www.fciconnect.com	
D				projection	.XXX ± .005 / 0.XX ± 0.13			title 4P + 40S + 4P	
				angles	.XXX ± .0020 / 0.XXX ± 0.051			VERTICAL PRESS-FIT RECEPT	
				dr	0° ± 2°			product family PwrBlade	
				enrg	D. INGRAM 02/11/04	size		code 213	
				chr	M. GRAY 02/11/04	A		sheet 4 of 4	
				appd	M. GRAY 02/11/04	51750-057			
sheet index	revision sheet								

Tous droits strictement réservés. Reproduction ou communication a des tiers interdite sous quelque forme que ce soit sans autorisation écrite du propriétaire. Propriété de c FCI. Droits de reproduction FCI.



All rights strictly reserved. Reproduction or issue to third parties in any form whatever is not permitted without written authority from the proprietor. Property of FCI. Copyright FCI.