

## Electronic housings STTCO-LG... in modular terminal block design

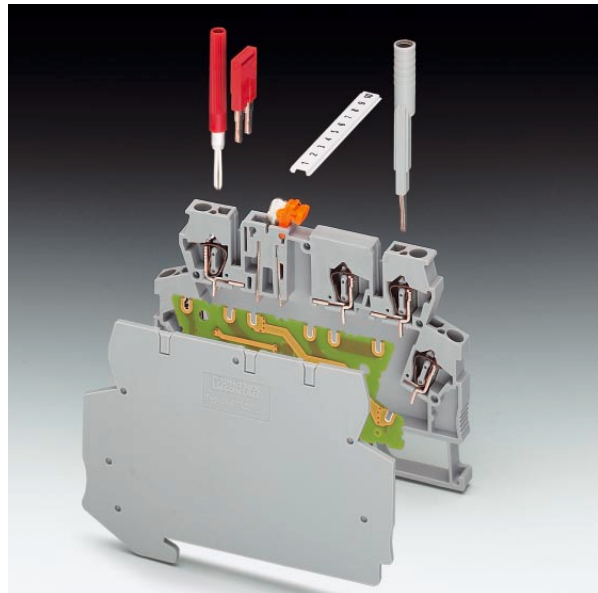
---

### 1. Description

The STTCO housings allow customized electronic components in the ST modular terminal block design. Therefore, it goes without saying that the upper level can be bridged with standard FBS... products. Up to five spring-cage connections that can be aligned in a pitch of 6.2 mm are provided on two connection levels, either with marker grooves for ZB labels or LED opening or knife disconnection, as an option with PE contact each for the DIN rail. A D-STTCO side cover is available for covering the housing (IP 20 protection).

#### The advantages at a glance:

- Housing in a modular terminal block format (91 x 56 mm),
- Can be aligned in a 6.2 mm pitch,
- Large PCB assembly area,
- Double-level spring-cage connection,
- Upper level can be bridged,
- Knife disconnection as an option,
- PE contact as an option,
- Comprehensive standard accessories and marking systems.



## 2. Technical Data

Dimensional drawing STTCO-LG...

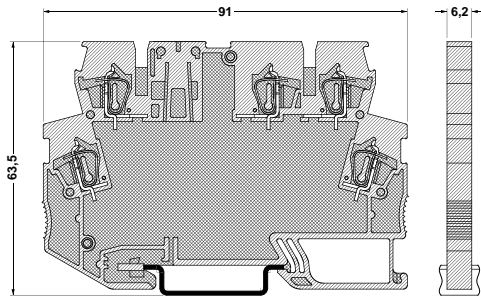


Fig. 02

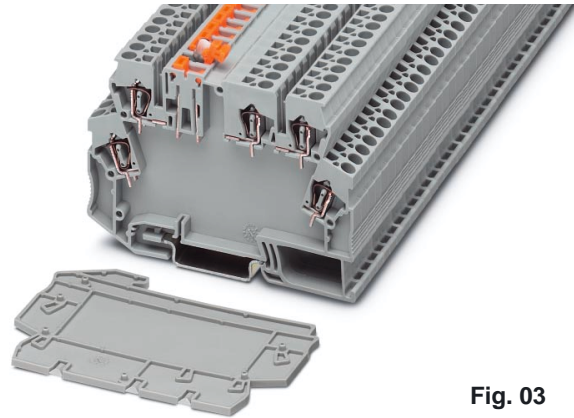








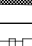


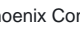
Fig. 03

For further data (2D/3D) see:  
<http://select.phoenixcontact.com>

Type of electronic housings/insulation materials:  
 Polyamide PA 6.6  
 Inflammability class V2 (UL94), color: gray

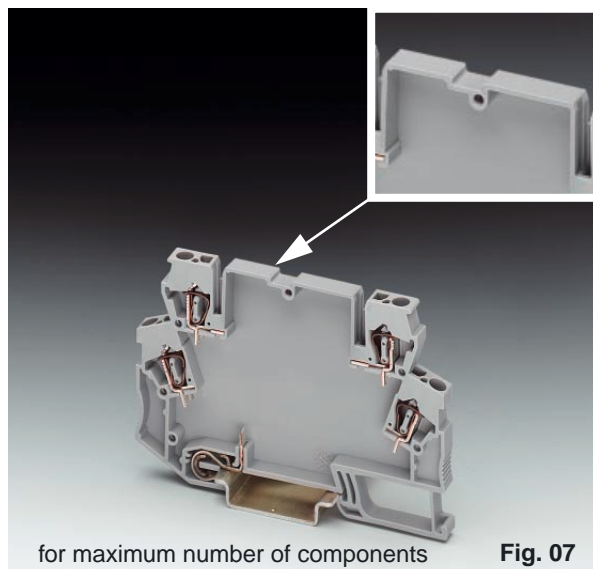
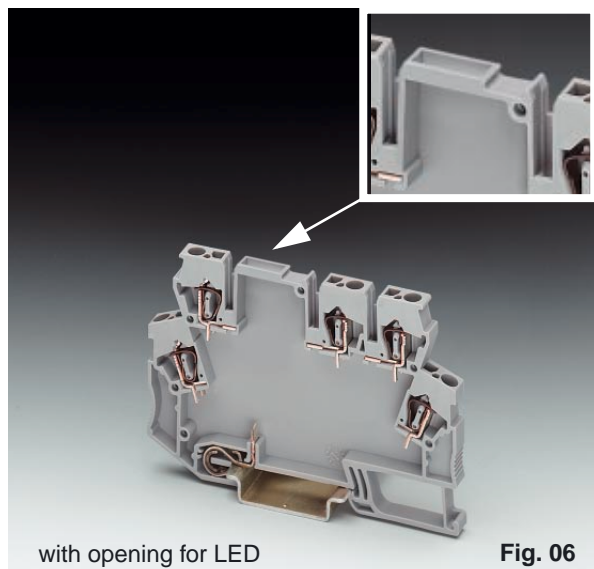
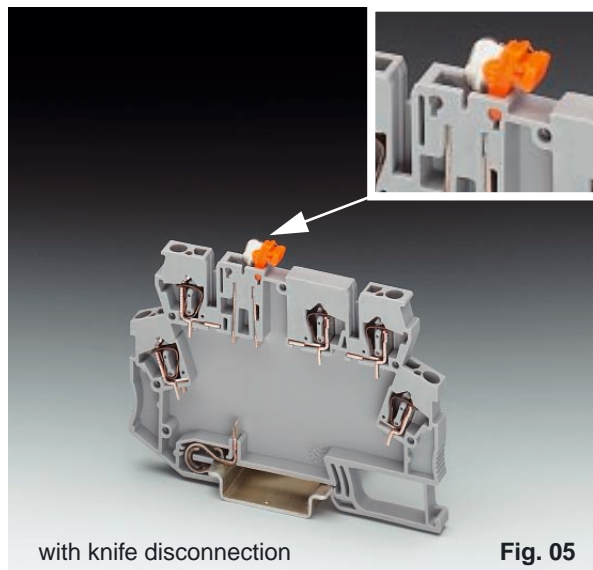
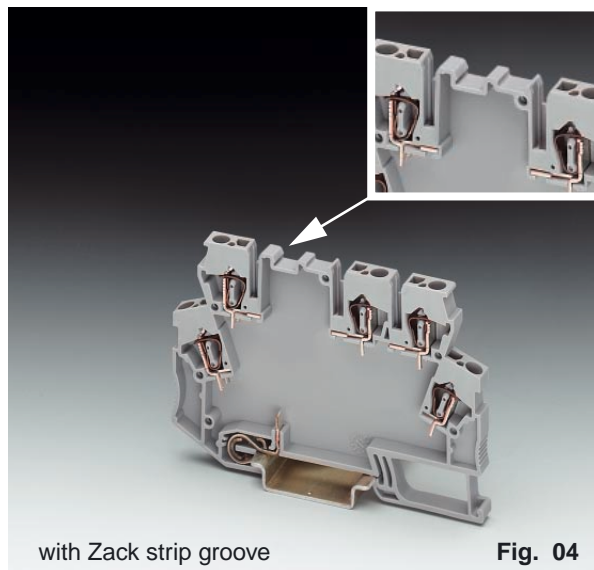
**STTCO-LG...**  
 6.2 mm wide

| (IEC)<br>[mm <sup>2</sup> ]  | rigid<br>solid | flexible<br>stranded | AWG   | I<br>[A]         | U<br>[V] |
|--|----------------|----------------------|-------|------------------|----------|
| Connection data  | 0.2-4          | 0.2-2.5              | 24-12 | 24 <sup>1)</sup> | 250      |
| <sup>1)</sup> The amperage depends not only on the width and thickness of the track but also on the maximum temperature of the PCB and the ambient temperature of the device. As far as power loss is concerned, values are available on request. Disconnect knife MT max. 16 A. |                |                      |       |                  |          |

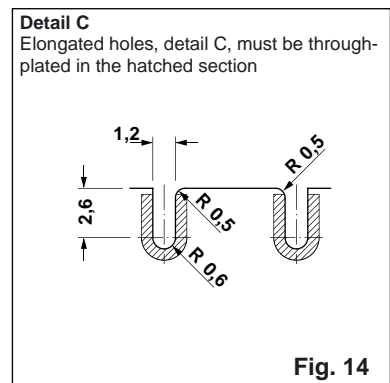
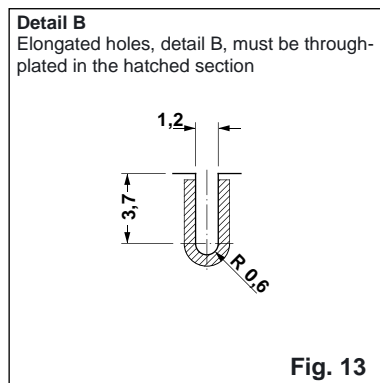
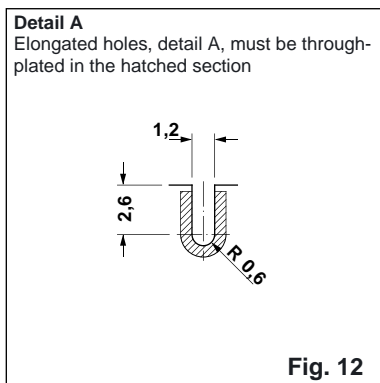
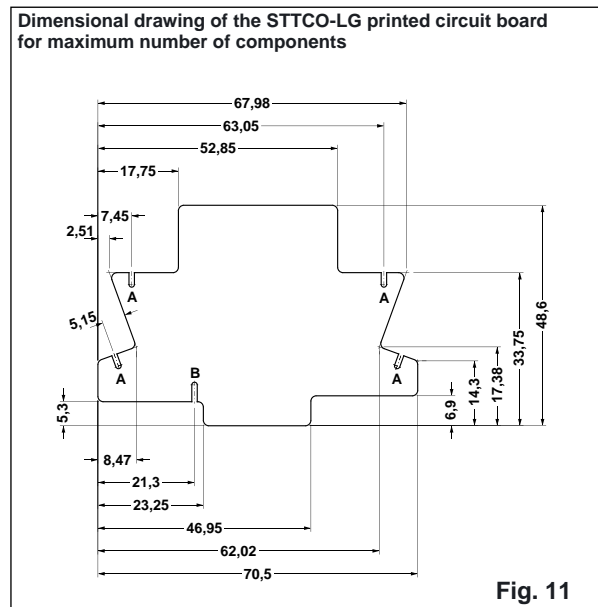
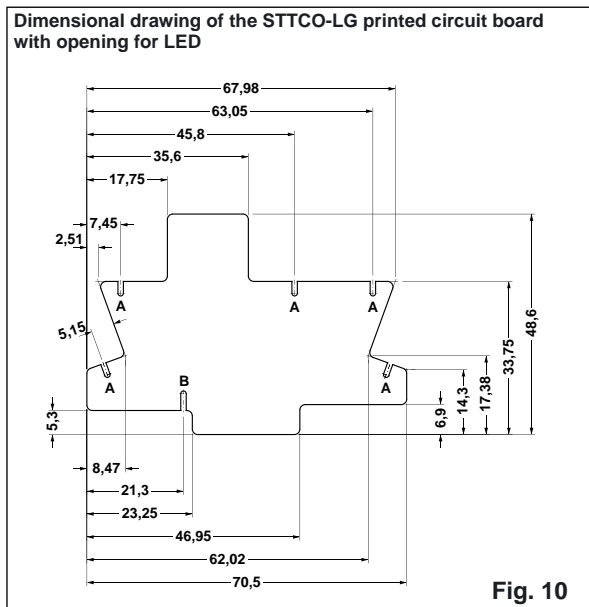
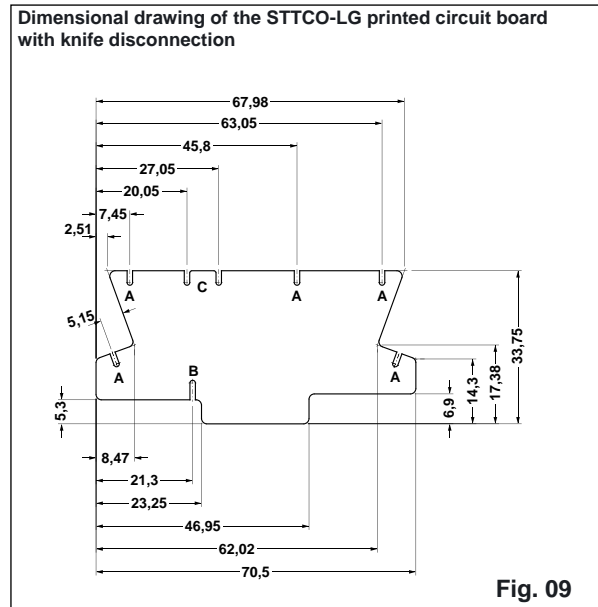
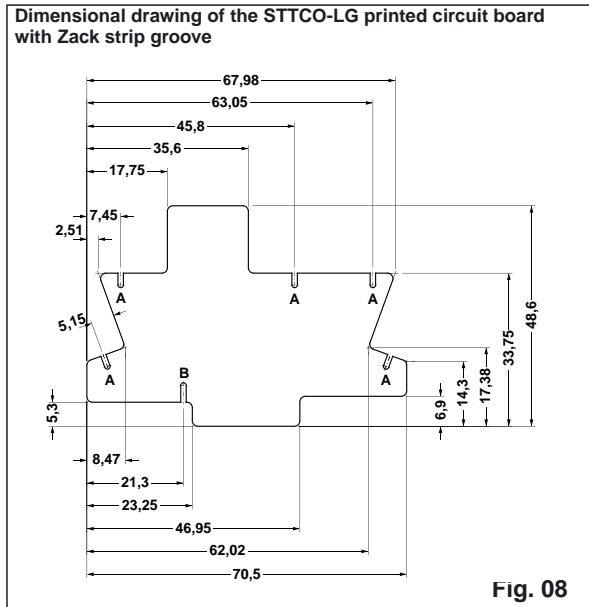
| Description  |  |
|--|--|
| <b>Housing fully equipped,</b><br>with Zack strip groove   | 5-position   |
| <b>Housing as above,</b> however with additional PE contact  | 5-position   |
| <b>Housing fully equipped,</b> with knife disconnection  | 5-position   |
| <b>Housing as above,</b> however with additional PE contact  | 5-position   |
| <b>Housing fully equipped,</b> with opening for LED  | 5-position   |
| <b>Housing as above,</b> however with additional PE contact  | 5-position   |
| <b>Housing fully equipped,</b><br>For maximum no. of components  | 4-position   |
| <b>Housing as above,</b> however with additional PE contact  |  |
| <b>Side cover,</b> for closing the housing for IP 20 protection  |   |
| <b>Plug-in bridge,</b> for cross-connections   | 2-pos. <br>3-pos. <br>4-pos. <br>5-pos. <br>10-pos. <br>20-pos.  |
| <b>Test adapter,</b> for 4 mm Ø test plug PS and 4 mm Ø safety test plug, makes contact in the jumper channel                      |   |
| <b>Test plug,</b> consisting of:<br><b>Metal part</b> for 2.3 mm Ø socket hole<br>and <b>colored insulating sleeve</b>             |   |
| <b>Test plug,</b> consisting of:<br><b>Metal part</b> for 4 mm Ø socket hole<br>and <b>colored insulating sleeve</b>               |   |
| <b>Flat Zack strip, unprinted,</b> 10-section for individual labeling with M-PEN, for further types, see Cipline catalog, page 333 |  |

| Type  | Order No.                  | Pcs. Pkt. |
|---|----------------------------|-----------|
| STTCO-LG 2,5/5 ZB GY                          | 30 38 88 8                 | 10        |
| STTCO-LG 2,5/5 ZB PE GY                       | 30 38 37 0                 | 10        |
| STTCO-LG 2,5/5 MT GY                          | 30 38 89 1                 | 10        |
| STTCO-LG 2,5/5 MT PE GY                       | 30 38 39 6                 | 10        |
| STTCO-LG 2,5/5 LA GY                          | 30 38 90 1                 | 10        |
| STTCO-LG 2,5/5 LA PE GY                       | 30 38 38 3                 | 10        |
| STTCO-LG 2,5/4 GY                             | 27 13 14 6                 | 10        |
| STTCO-LG 2,5/4 PE GY                          | 27 13 15 9                 | 10        |
| D-STTCO 2,5                                   | 30 38 40 6                 | 10        |
| FBS 2-6                                       | $I_{max}: 16 A$ 30 30 33 6 | 50        |
| FBS 3-6                                       | 16 A 30 30 24 2            | 50        |
| FBS 4-6                                       | 16 A 30 30 25 5            | 50        |
| FBS 5-6                                       | 16 A 30 30 34 9            | 50        |
| FBS 10-6                                      | 16 A 30 30 27 1            | 10        |
| FBS 20-6                                      | 16 A 30 30 36 5            | 10        |
| PAI 4   | 30 30 92 5                 | 10        |
| MPS-...<br>(order data, see COMBICON catalog) |                            |           |
| PS-...<br>(order data, see COMBICON catalog)  |                            |           |
| ZBF 6: UNBEDRUCKT                             | 08 08 71 0                 | 10        |

### 3. Versions



### 4. Overview of the PCBs for the STTCO-LG electronic housings



<http://www.phoenixcontact.com>

15.04.03 TNR:5152681-00

© Phoenix Contact