

NOTE:

REFERENCE STANDARD IEC60169-4

1. ELECTRIC PERFORMANCE
- NOMINAL IMPEDANCE (Ω) : 50
 - FREQUENCY RANGE : DC-3GHz
 - VSWR : ≤ 1.10
 - INSERTION LOSS : ≤ 0.05
 - INSULATION RESISTANCE ($M\Omega$) : >10000
 - PROOF VOLTAGE (V) : 2500
 - CONDUCTOR RESISTANCE ($m\Omega$) : OUTER CONDUCTOR <0.2
INNER CONDUCTOR <0.8

- II. MECHANICAL PERFORMANCE
- NUT TORQUE : 25N.m
 - (NUT) WHORL PULL : 1000N
 - TENSILE FORCE (CABLE-CONNECTOR) : 400N
 - TORSION (CABLE-CONNECTOR) : 2N.m

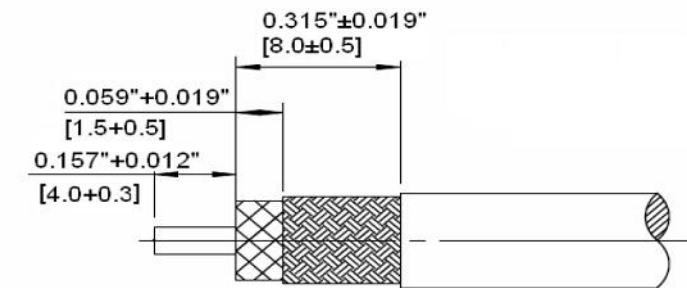
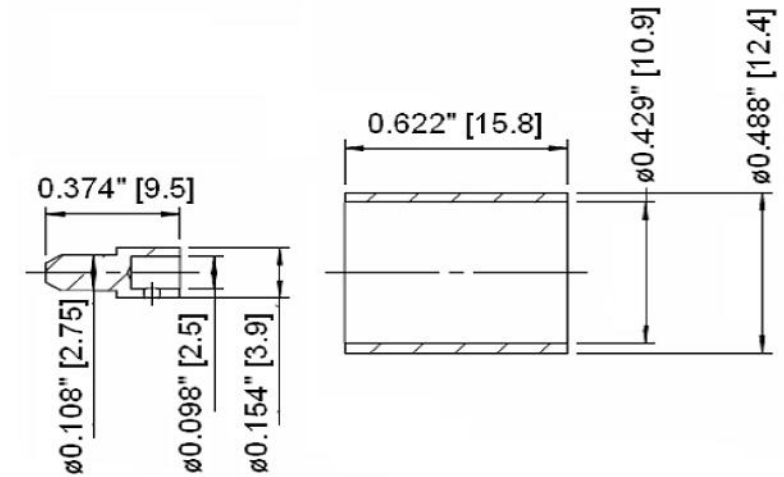
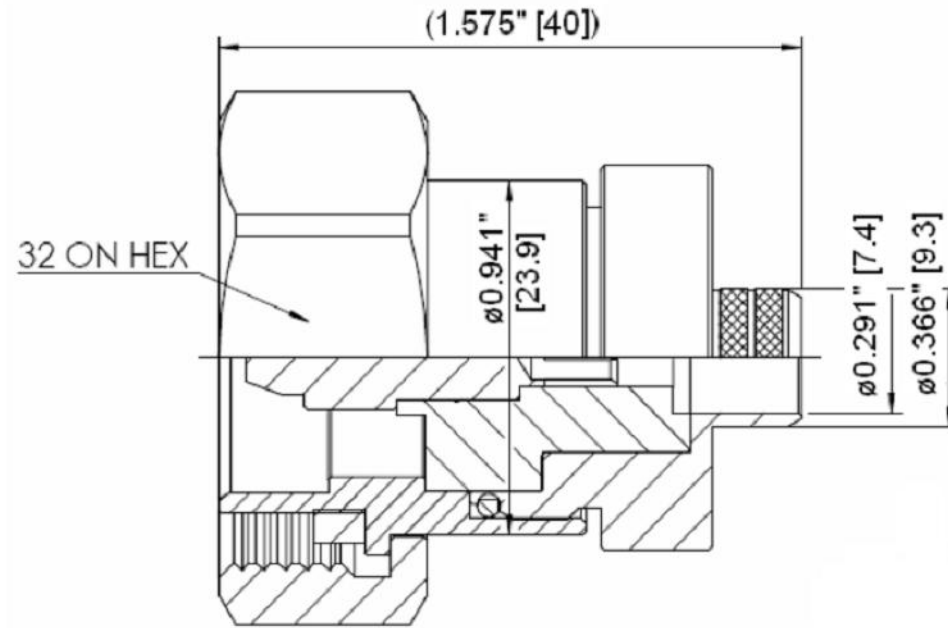
- III. MATERIAL AND PLATING
- INNER CONDUCTOR : BERYLLIUM BRONZE PLATING $Ag5\mu m$
 - OUTER CONDUCTOR : BRASS PLATING COPPER-TIN-ZINC $2\mu m$
 - TUBE : COPPER PLATING COPPER-TIN-ZINC $2\mu m$
 - NUT : BRASS PLATING COPPER-TIN-ZINC $2\mu m$
 - GASKET : SILICONE RUBBER
 - INSULATOR : PTFE

- IV. ENVIRONMENT
- TEMP RANGE : $-55^{\circ}C$ TO $+155^{\circ}C$
 - WEATHER STANDARD : IEC 60068 55/155/56
 - THERMAL SHOCK : US MIL-STD 202.METH.107, COND.B
 - VIBRATION : US MIL-STD 202 METH.204, COND.B
 - SHOCK : US MIL-STD 202.METH.213, COND.1

V. ASSEMBLY : INNER CONDUCTOR SOLDERED AND OUTER CONDUCTOR CRIMPED

VI. ROHS COMPLIANT.

272105		REVISIONS			
DRAWING NO.	REV	DESCRIPTION	DATE	ECO	APPR
THIRD ANGLE PROJ.	A	MODIFY PLATING TO SILVER	29-Dec-00	--	
	B	MODIFY PLATING TO NEXCOTE, UPDATE DRAWING FORMAT	27-May-05	--	
	C	REVISE MATING FACE TO 32 HEX NUT	27-Jul-08	--	
	D	UPDATED PER THE LATEST SUPPLIER PRINT	15-Dec-11	2266	KR



Recommended cable stripping Dim's

4	FERRULE	COPPER	NEXCOTE	1
3	CONTACT PIN	BRASS	GOLD	1
2	INSULATOR	PTFE	NATURAL	1
2	HOUSING	BRASS	NEXCOTE	1
1	BODY	BRASS	NEXCOTE	1
	DESCRIPTION	MATERIAL	FINISH	QTY

UNLESS OTHERWISE SPECIFIED, DIMENSIONS ARE IN INCHES AND TOLERANCES ARE: 2 PLACE DECIMAL ±.015 (0,381 mm) 3 PLACE DECIMAL ±.005 (0,127 mm) ANGLES ± 1°	MATERIAL SEE TABLE	DRAWN ABHAYA KISHORE	DATE 15-Dec-11	TITLE 7/16 CRIMP PLUG (FOR RG-8/U, 213/U, LMR 400 CABLE)	Amphenol Connex		
	REFERENCE TASK # 826	ENGINEER ABHAYA KISHORE	DATE 15-Dec-11				
NOTICE - These drawings, specifications, or other data (1) are, and remain the property of Amphenol Corp. (2) must be returned upon request; and (3) are confidential and not to be disclosed to any person other than those to whom they are given by Amphenol Corp. The furnishing of these drawings, specifications, or other data by Amphenol Corp., or to any other person to anyone for any purpose is not to be regarded by implication or otherwise in any manner licensing, granting rights or permitting such holder or any other person to manufacture, use or sell any product, process or design, patented or otherwise, that may in any way be related to or disclosed by said drawings, specifications, or other data.		APPROVED	DATE		SCALE: 2.2:1	SHEET	1 OF 1
		CAD FILE			DWG SIZE B	DRAWING NO. 272105	