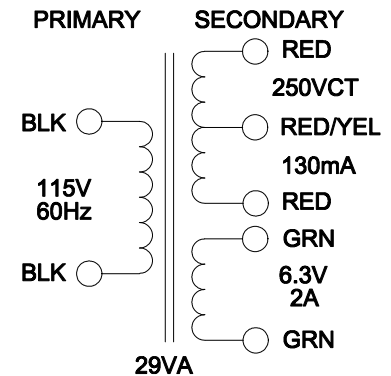
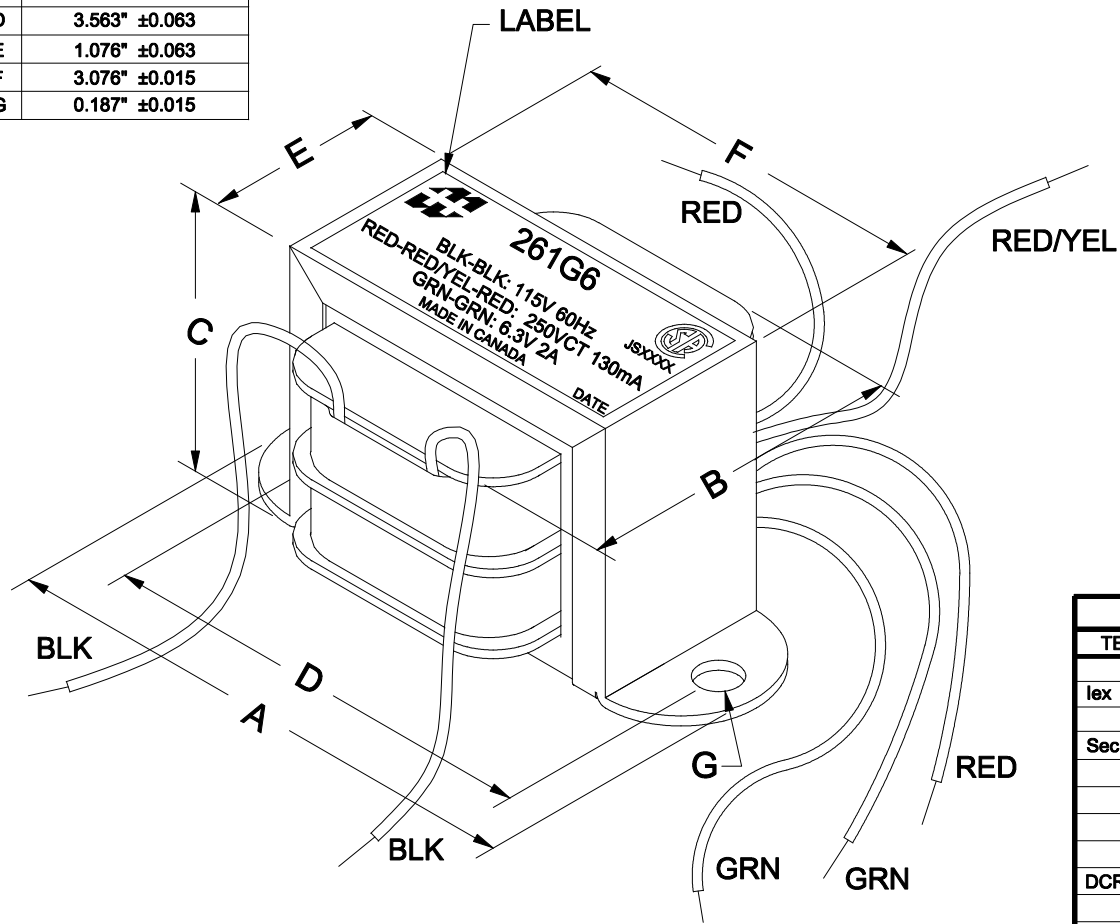


DIMENSIONS:	
A	4.000" ±0.063
B	2.210" ±0.125
C	2.620" ±0.063
D	3.563" ±0.063
E	1.076" ±0.063
F	3.076" ±0.015
G	0.187" ±0.015



NOTE: ALL LEADS 6" OUT MIN. STRIPPED 0.5"

ELECTRICAL DATA:		
TESTS	CONDITIONS	ACCEPTANCE CRITERIA
I _{ex}	@ 115V, 60Hz, BLK - BLK	285mA Max.
Sec. N.L.V	@ 115V, 60Hz, BLK - BLK	
	RED - RED =	276.9V ±2%
	RED - RED/YEL = RED/YEL - RED =	138.4V ±2%
	GRN - GRN =	6.985V ±2%
DCR	@ 20°C, BLK - BLK =	7.903 Ω ±20%
	@ 20°C, RED - RED =	59.16 Ω ±20%
	@ 20°C, GRN - GRN =	0.135 Ω ±20%
HIPOT	PRIMARY - SECONDARY	2000V, 60Hz, 1 SEC

REV.#	REVISION	DATE	HAMMOND MANUFACTURING™		ELECTRONIC DIVISION	
0	RELEASED. C.I.	04/30/15	52 RANKIN PLACE, WATERLOO, ONTARIO, N2J 3Z5		PH # (519) 886-6181 FAX # (519) 886-9540	
			DWG. BY: C. ILIE	CHK'D BY:	TITLE: POWER TRANSFORMER	DWG. NO. 261G6
			DATE: 04/30/15	APP'D. BY:		
				DIMENSIONS: IN(X) MM()		