

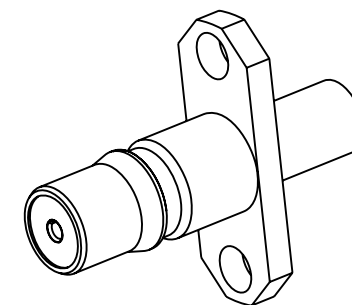
NOTES:

1. MATERIALS AND FINISHES:
 BODY - BRASS, WHITE BRONZE PLATING
 CONTACT - BeCu, GOLD PLATING
 INSULATOR - PTFE, NATURAL
2. ELECTRICAL:
 A. IMPEDANCE: 50 OHM
 B. FREQUENCY RANGE: DC - 6 GHz
3. MECHANICAL:
 A. DURABILITY: 100 CYCLES MIN.
 B. TEMPERATURE RANGE: -65° C TO +165° C
4. PACKAGING:
 A. QUANTITY: SINGLE PACK
 B. MARKING: BAG TO BE MARKED
 "AMPHENOL RF, 930-117J-51S, AND DATE CODE"

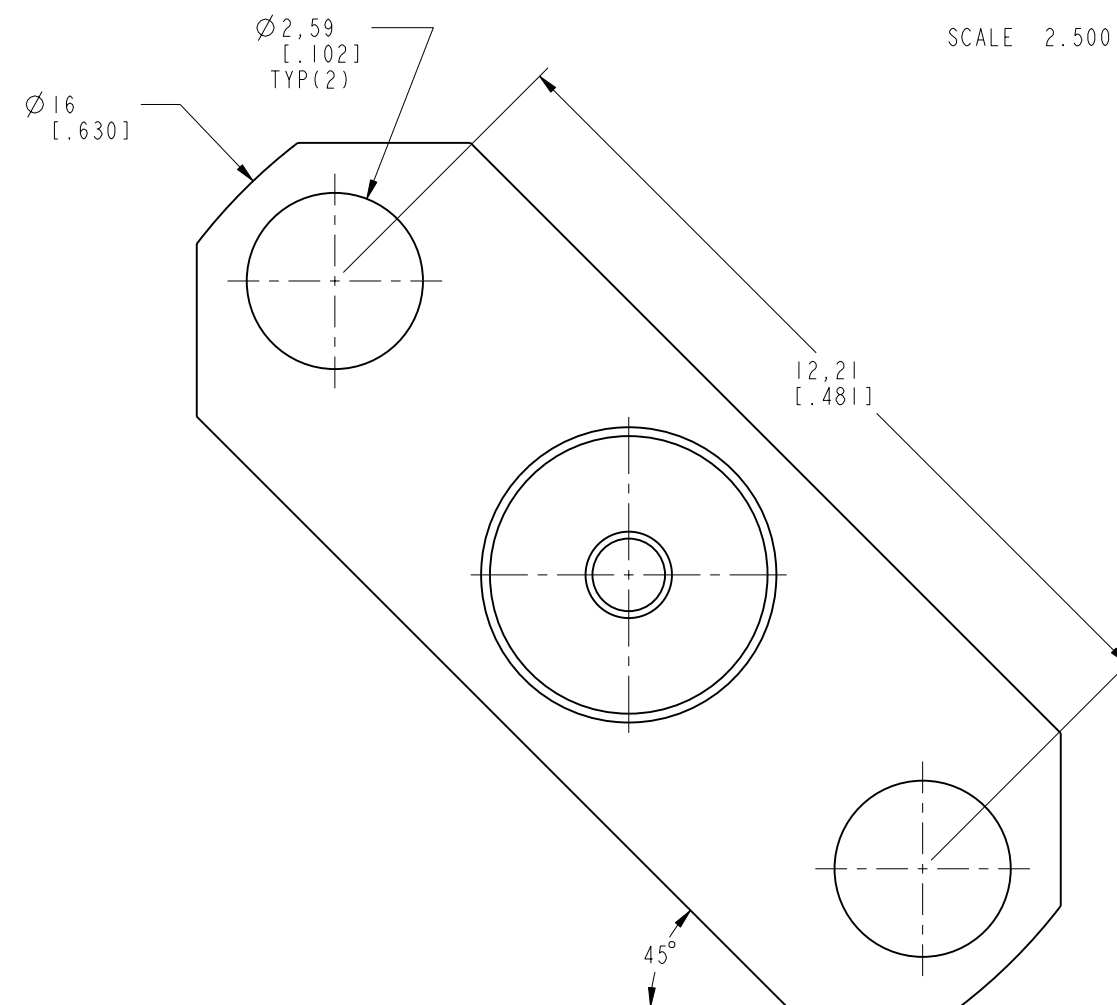
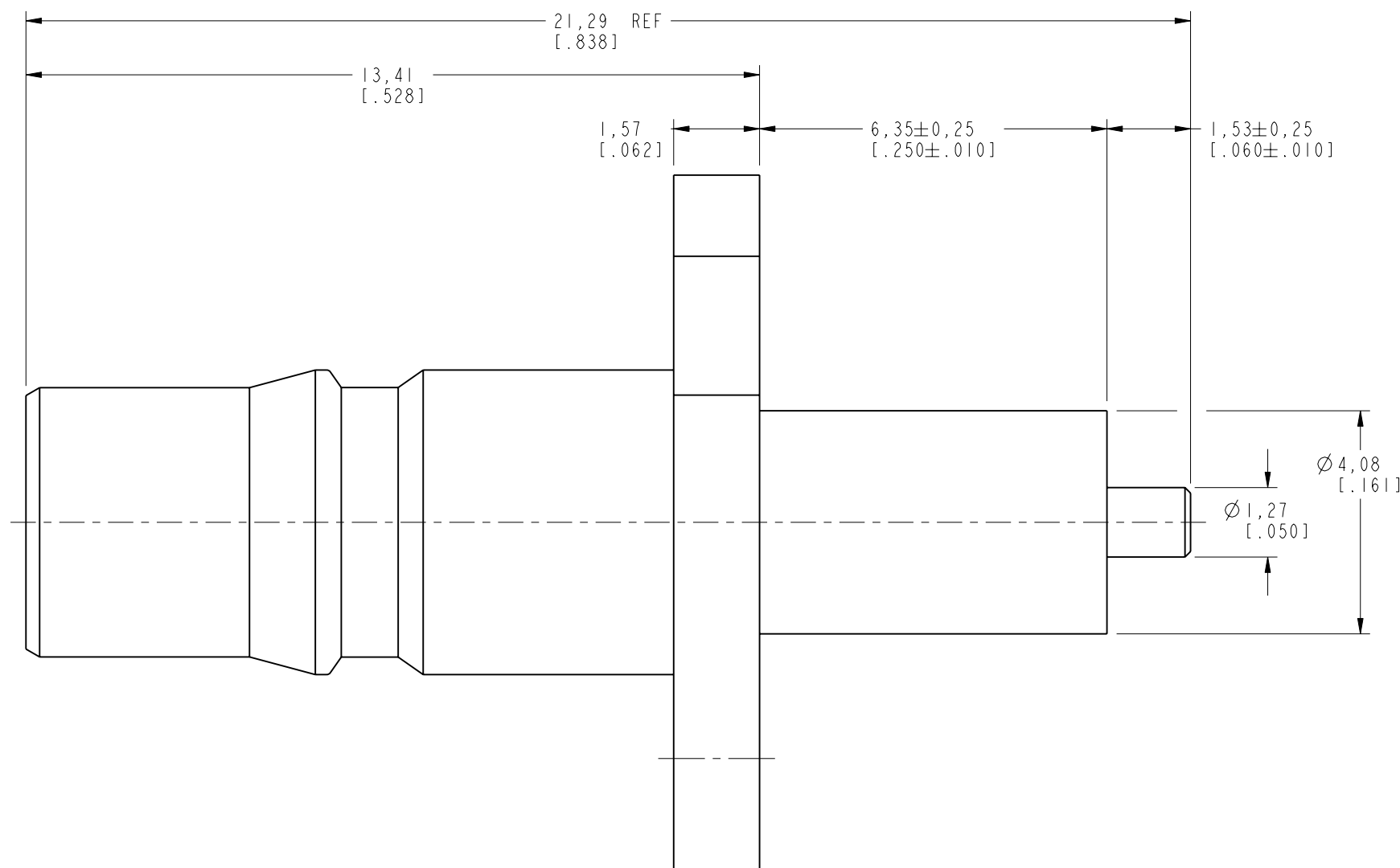
THIRD ANGLE PROJ.

REVISIONS

REV	DESCRIPTION	DATE	ECO	APPR
A	RELEASE TO MFG.	21-Aug-03	44594	BCG
B	NOTE 3 : TEMP. RANGE CHANGED TO : -65° TO +165°	13-Oct-05	45762	HP
F	BODY PLATING WAS GOLD & FORMAT UPDATED VRD-DM15011201M3	22-Jan-15	50109	SH



SCALE 2.500



CUSTOMER OUTLINE DRAWING

ALL OTHER SHEETS ARE FOR INTERNAL USE ONLY

UNLESS OTHERWISE SPECIFIED, DIMENSIONS ARE IN METRIC AND TOLERANCES ARE:
 < 0.5mm ± 0.05mm 0.5 - 6mm ± 0.1mm 6 - 30mm ± 0.2mm 30 - 120mm ± 0.3mm ANGLES ± 1°

NOTICE - These drawings, specifications, or other data (1) are, and remain the property of Amphenol corp. (2) must be returned upon request; and (3) are confidential and not to be disclosed to any person other than those to whom they are given by Amphenol Corp. the furnishing of these drawings, specifications, or other data by Amphenol Corp., or to any other person to anyone for any purpose is not to be regarded by implication or otherwise in any manner licensing, granting rights to permitting such holder or any other person to manufacture, use or sell any product, process or design, patented or otherwise, that may in any way be related to or disclosed by said drawings, specifications, or other data.

MATERIAL
SEE NOTES

REFERENCE
EAR # 970 & 615x-1926-100

CONFIGURATION LEVEL:

FINISH

DRAWN
M. DONG

ENGINEER
B.C. GLEISSNER

APPROVED
O. BARTHELMES

CAD FILE

DATE
22-Jan-15

DATE
24-Apr-03

DATE
21-Aug-03

TITLE
QMA STR JACK 2 HOLE
FLANGE PANEL MOUNTED

SCALE: 9.0:1.0 SHEET 2 OF 2

DWG SIZE
B

REV
F

Amphenol RF
www.amphenolrf.com

DRAWING NO. 930-117J-51S

ITEM NO. 930-117J-51S

PART NO. 930-117J-51S