

4

3

2

1

THIS DRAWING IS UNPUBLISHED.

RELEASED FOR PUBLICATION

20

© COPYRIGHT 20 BY -

ALL RIGHTS RESERVED.

REVISIONS

P	LTR	DESCRIPTION	DATE	DWN	APVD
A		INITIAL RELEASE	18DEC2014	DW	CW
B		ECR-15-013750	21SEP2015	DW	CW
B1		ECR-15-016224	05NOV2015	DW	CW
B2		ECR-16-018198	09JAN2017	QY	CW

M3 SCREW,
RECOMMENDED
TIGHTENING
TORQUE 0.5Nm
M3螺丝, 推荐锁紧力矩0.5Nm


NOTES:

1. TECHNICAL CHARACTERISTICS:
INSULATION MATERIAL: PC
RATED VOLTAGE: 250 V
RATED CURRENT: 10 A
INSULATION RESISTANCE: $\geq 400M\Omega$
RATED IMPULSE VOLTAGE: 2.5 KV
POLLUTION DEGREE: 3
FLAMMABILITY: UL94V-0
MATING CYCLES: 500 CYCLES
WIRE RANGE: 0.5-2.5 mm² (20-14 AWG)
CONTACT FINISH: SILVER PLATED
CONTACT TYPE: SCREW CONTACT

注释:

1. 技术参数:
绝缘材料: PC
额定电压: 250V
额定电流: 10A
绝缘电阻: $\geq 400M\Omega$
额定脉冲电压: 2.5 KV
污染等级: 3
阻燃等级: UL94V-0
插拔次数: 500 次
接线范围: 0.5-2.5 mm² (20-14 AWG)
端子表面处理: 镀银
接线类型: 螺丝连接

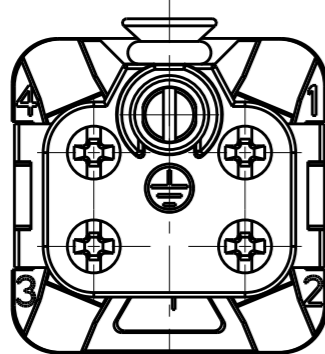
TYPE-1:T2010042201-000 TE LOGO
类型-1:T2010042201-000 TE LOGO

THIS DRAWING IS A CONTROLLED DOCUMENT.		DWN 18DEC2014 DAVID WANG	 TE Connectivity	
DIMENSIONS: mm		CHK 18DEC2014 CHRIS WANG		
TOLERANCES UNLESS OTHERWISE SPECIFIED:		APVD 18DEC2014 XU XIANG	NAME HA-004-F	
0 PLC \pm -		PRODUCT SPEC 108-137045	SIZE	
1 PLC \pm -		APPLICATION SPEC 114-137045	CAGE CODE	
2 PLC \pm -		WEIGHT	DRAWING NO	
3 PLC \pm -		Customer Drawing	A300779	
4 PLC \pm -			SCALE 2:1	
ANGLES \pm -			SHEET 1 OF 2	
FINISH			REV B2	
MATERIAL			RESTRICTED TO	
			©-T2010042201000	

1470-19 (3/13)

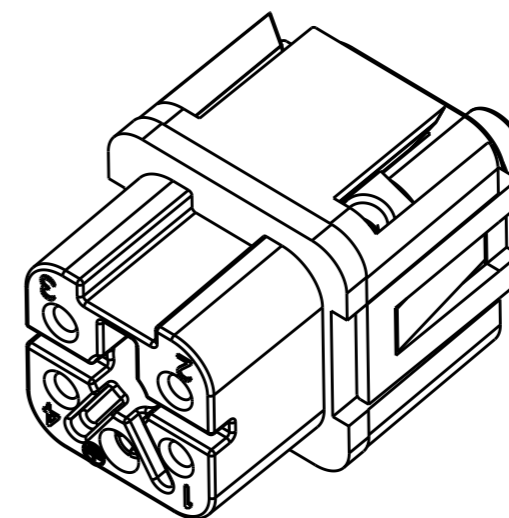
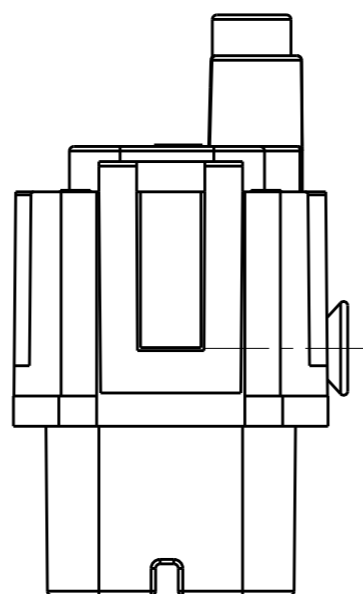
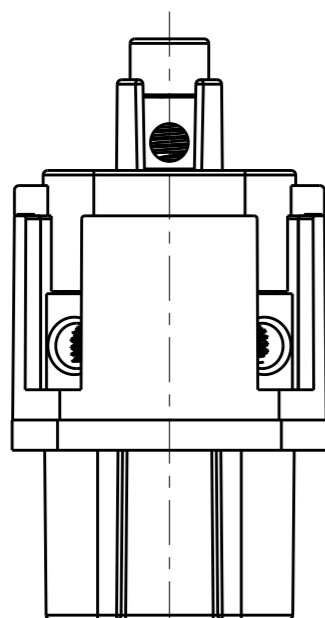
REVISIONS

P	LTR	DESCRIPTION	DATE	DWN	APVD
-	-	SEE SHEET 1	-	-	-

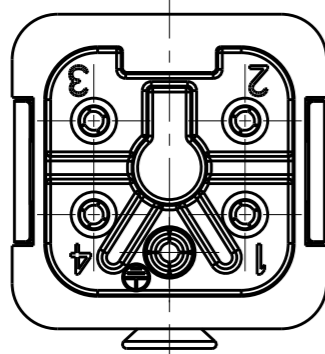


ALL DIMENSIONS ARE SAME AS TYPE 1,
EXCEPT THOSE DEFINED IN THIS TYPE.
除了在本类型中定义的尺寸外, 其它尺寸同类型 1


NOTES:
SEE SHEET 1
注释:
见页 1



TYPE-2: T2010042201-001 STAINLESS STEEL SCREW, NO LOGO
类型-2: T2010042201-001 不锈钢螺丝, 无LOGO



T2010042201-001	HA-004-F	HA-004 FEMALE INSERT, SIDE OUTLET, TOP LOCK SCREW, STAINLESS STEEL SCREW, NO LOGO HA-004母插, 侧面出线顶部锁螺丝, 不锈钢螺丝, 无LOGO	TYPE-2 类型-2
T2010042201-000	HA-004-F	HA-004 FEMALE INSERT, SIDE OUTLET, TOP LOCK SCREW HA-004母插, 侧面出线顶部锁螺丝	TYPE-1 类型-1
PART NUMBER 料号	PART DESCRIPTION 描述		TYPE 类型

THIS DRAWING IS A CONTROLLED DOCUMENT.		DWN 18DEC2014 DAVID WANG	 TE Connectivity	
DIMENSIONS: mm		CHK 18DEC2014 CHRIS WANG		
TOLERANCES UNLESS OTHERWISE SPECIFIED:		APVD 18DEC2014 XU XIANG	NAME HA-004-F	
0 PLC ±-		PRODUCT SPEC 108-137045	SIZE	
1 PLC ±-		APPLICATION SPEC 114-137045	CAGE CODE	
2 PLC ±-		WEIGHT	DRAWING NO	
3 PLC ±-		Customer Drawing	RESTRICTED TO	
4 PLC ±-			A300779	
ANGLES ±-			C-T2010042201000	
FINISH			SCALE 2:1	
-			SHEET 2 OF 2	
-			REV B2	