


HC-B 6-KML-73/O1STM25

Order No.: 1646971

<http://eshop.phoenixcontact.de/phoenix/treeViewClick.do?UID=1646971>

HEAVYCON coupling housing B6, with single locking latch, height 73 mm, with thread 1xM25

Commercial data

GTIN (EAN)	
sales group	D002
Pack	10 pcs.
Customs tariff	85389099
Catalog page information	Page 481 (PC-2009)

Product notes

WEEE/RoHS-compliant since:
03/01/2006

<http://www.download.phoenixcontact.com>
Please note that the data given here has been taken from the online catalog. For comprehensive information and data, please refer to the user documentation. The General Terms and Conditions of Use apply to Internet downloads.

Technical data

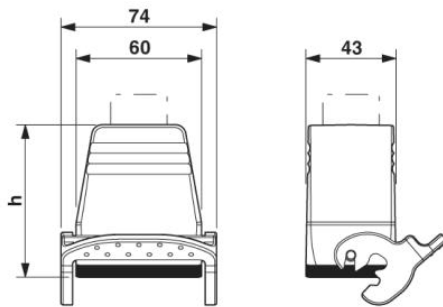
General data

Note	For contact inserts HC-B6, BB10, DD24, M
Design	B6
Height	73 mm
Width	43 mm
Length	60 mm

Housing type	Coupling housings
Locking type	With single locking latch
Type of the screw connection	1x M25
Degree of protection	IP65
Ambient temperature (operation)	-40 °C ... 125 °C
Housing material	Aluminum, die-cast
Housing surface material	Powder-coated, gray
Seal material	NBR
Material lock	High-grade steel, handle: PA-GF
Material grip body interlock	PA-GF

Diagrams/Drawings

Dimensioned drawing



Address

PHOENIX CONTACT Deutschland GmbH
Flachmarktstr. 8
32825 Blomberg, Germany
Phone +49 5235 3 12000
Fax +49 5235 3 41200
<http://www.phoenixcontact.de>



© 2010 Phoenix Contact
Technical modifications reserved;