

4

3

2

1

THIS DRAWING IS UNPUBLISHED.
DIFFUSION RESTREINTE AMPRELEASED FOR PUBLICATION
LIBRE A LA DIFFUSION

20

LOC

DIST

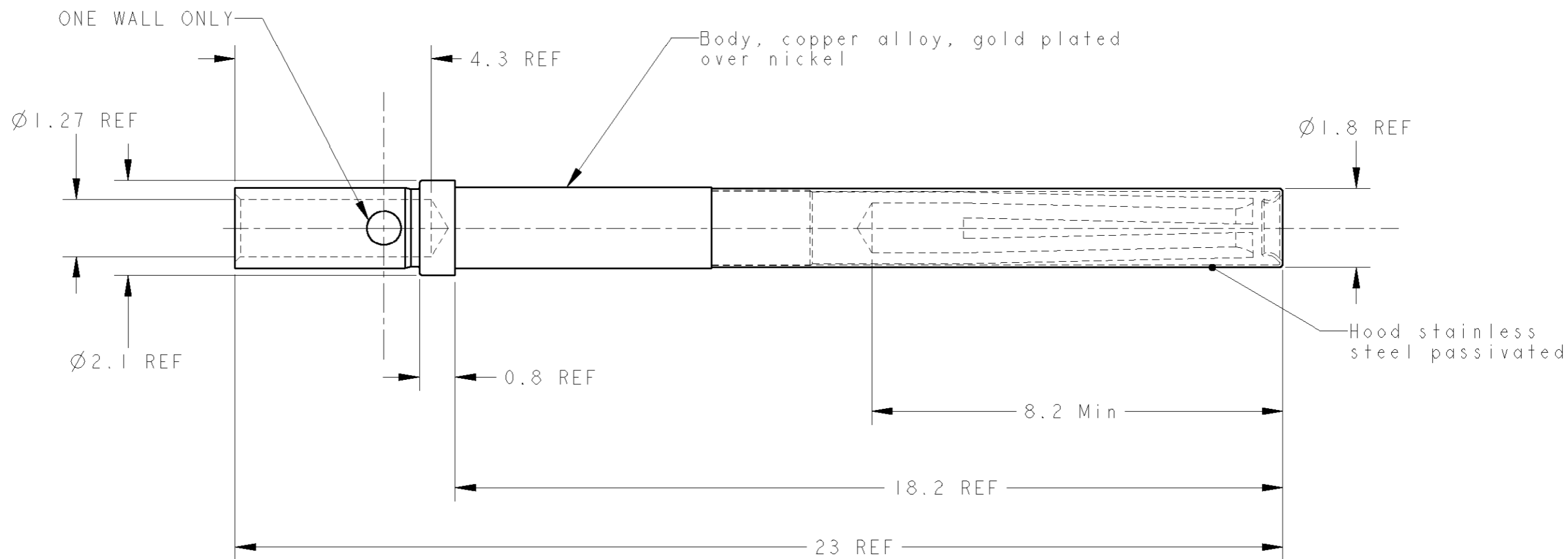
REVISIONS

© COPYRIGHT 20

BY TYCO ELECTRONICS CORPORATION. ALL RIGHTS RESERVED.
TOUS DROITS RESERVES

P	LTR REV	DESCRIPTION MODIFICATIONS	DATE	DWN DESS.	APVD APP.
	D	REDRAWN AND UPDATED	28JAN2004	J.D	YP

SCALE 1:1



TYCO P/N: 132155-1

Notes:

- FOR CONDUCTOR SECTION 0.93mm²- AWG18
Pour conducteur section 0.93 mm²- AWG18
- CRIMPING HAND TOOL: MS3191-1 OR M22520/1-01
LOCATOR M22520/1-02 IN POSITION 5
Pince de sertissage MS3191-1 ou M22520/1-01
Locator M22520/1-02 en position 5

THIS DRAWING IS A CONTROLLED DOCUMENT FOR TYCO ELECTRONICS CORPORATION IT IS SUBJECT TO CHANGE AND THE CONTROLLING ENGINEERING ORGANIZATION SHOULD BE CONTACTED FOR THE LATEST REVISION. CE PLAN EST UN DOCUMENT CONTROLE PAR AMP INCORPORATED. IL EST SUSCEPTIBLE D'ETRE REVISE. CONTACTER LE SERVICE TECHNIQUE D'AMP DE FRANCE POUR OBTENIR LA DERNIERE REVISION.		DWN/DESSINE 28JAN2004 J. DREUX			TYCO ELECTRONICS France SAS BP 39, 95301 CERGY-PONTOISE Cedex
DIMENSIONS: mm		CHK/VERIFIE 28JAN2004 Y. PETRONIN	NAME TITRE SOCKET ASS'Y, SIZE 20, REAR RELEASE, TYPE XVII		
TOLERANCES UNLESS OTHERWISE SPECIFIED: TOLERANCES NON SPECIFIEES (SUIV NB DE DECIMALES): 0 PLC/DEC: ± 1 PLC/DEC: ± 2 PLC/DEC: ± 3 PLC/DEC: ± 4 PLC/DEC: ± ANGLES ±		APVD/APPROUVE 28JAN2004 Y. PETRONIN	SIZE FORMAT A3		
MATERIAL /MATIERE		PRODUCT SPEC SPEC. PRODUIT -	CAGE CODE 00779	DRAWING NO No PLAN C=132155	RESTRICTED TO RESERVE A -
FINISH /FINITION		APPLICATION SPEC SPEC. APPLICATION NOTE 2	SCALE ECHELLE 10:1		
		WEIGHT MASSE APPROX. -	SHEET FEUILLE 1		
		CUSTOMER DRAWING /PLAN CLIENT	UNIQUEMENT POUR REFERENCE		
			OF DE 1		
			REV D		