

Customer Information Sheet

DRAWING No.: SI621FXX

SHEET 2 OF 2

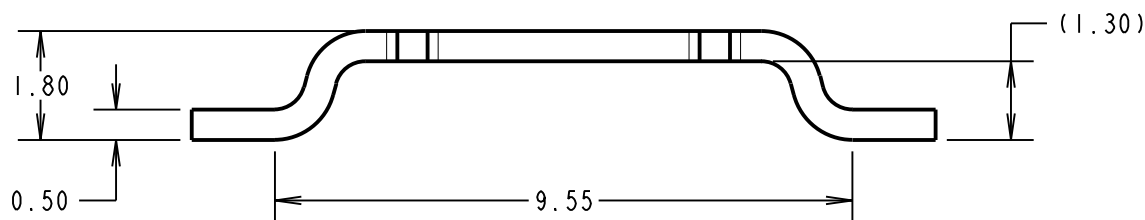
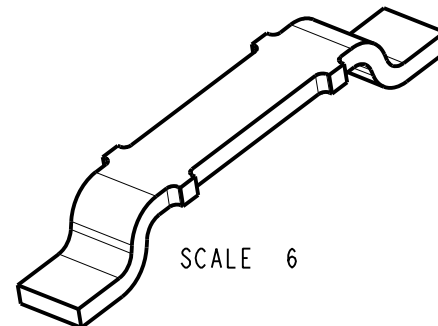
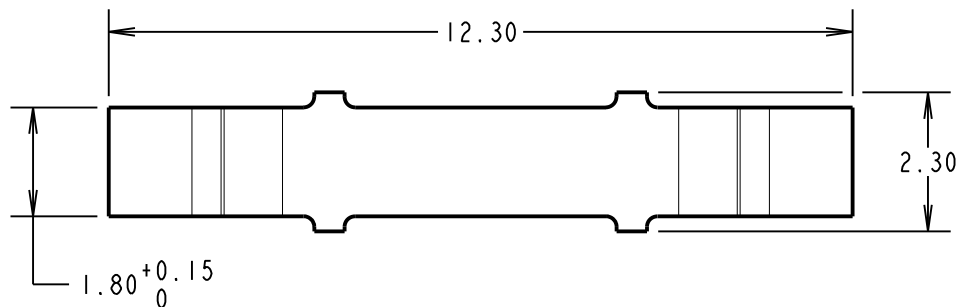
IF IN DOUBT - ASK

(C)

NOT TO SCALE

THIRD ANGLE PROJECTION

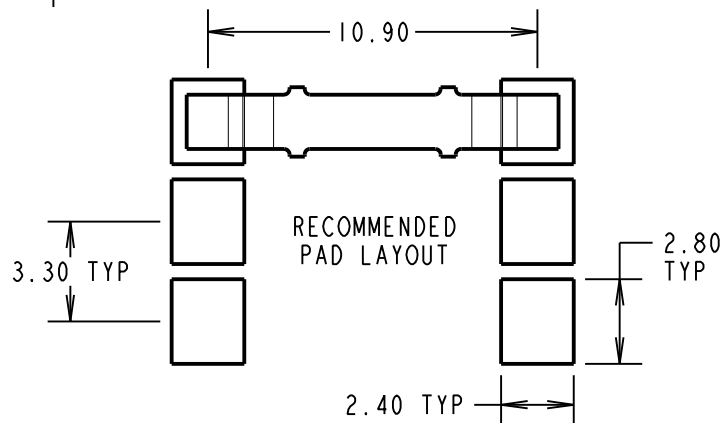
ALL DIMENSIONS IN mm



NOTES:

1. PACKING = 100 COMPONENTS PER BAG.
2. CURRENT RATING = 10A (30°C TEMP RISE).

HARWIN PART No.	FARNELL PART No.	FINISH
SI621F06	486-1474	4 μ 90/10 TIN/LEAD
SI621F46	102-2336	4 μ 100% TIN



SB	5	05.12.13	12288
NAME	ISS.	DATE	C/NOTE
APPROVED:		S. BENNETT	
CHECKED:		S. FLOWER	
DRAWN:		J. EVANS	
CUSTOMER REF.:			
ASSEMBLY DRG:			

HARWIN

www.harwin.com
technical@harwin.com

THIS DRAWING AND ANY INFORMATION OR DESCRIPTIVE MATTER SET OUT HEREON ARE CONFIDENTIAL AND COPYRIGHT PROPERTY OF THE HARWIN GROUP AND MUST NOT BE DISCLOSED, LOANED, COPIED OR USED FOR MANUFACTURING, TENDERING OR FOR ANY OTHER PURPOSE WITHOUT THEIR WRITTEN PERMISSION.

TOLERANCES
 X. = ± 1 mm
 X.X = ± 0.25 mm
 X.XX = ± 0.10 mm
 X.XXX = ± 0.01 mm
 ANGLES = $\pm 5^\circ$
 UNLESS STATED

MATERIAL:
 BRASS CW508L H120 TO
 BS EN 1652
 (CuZn37 1/2 HARD)
FINISH: SEE TABLE
S/AREA: mm²

TITLE:
 SURFACE MOUNT JUMPER
 (LOOSE)

DRAWING NUMBER:
 SI621FXX

SHT
2 OF 2