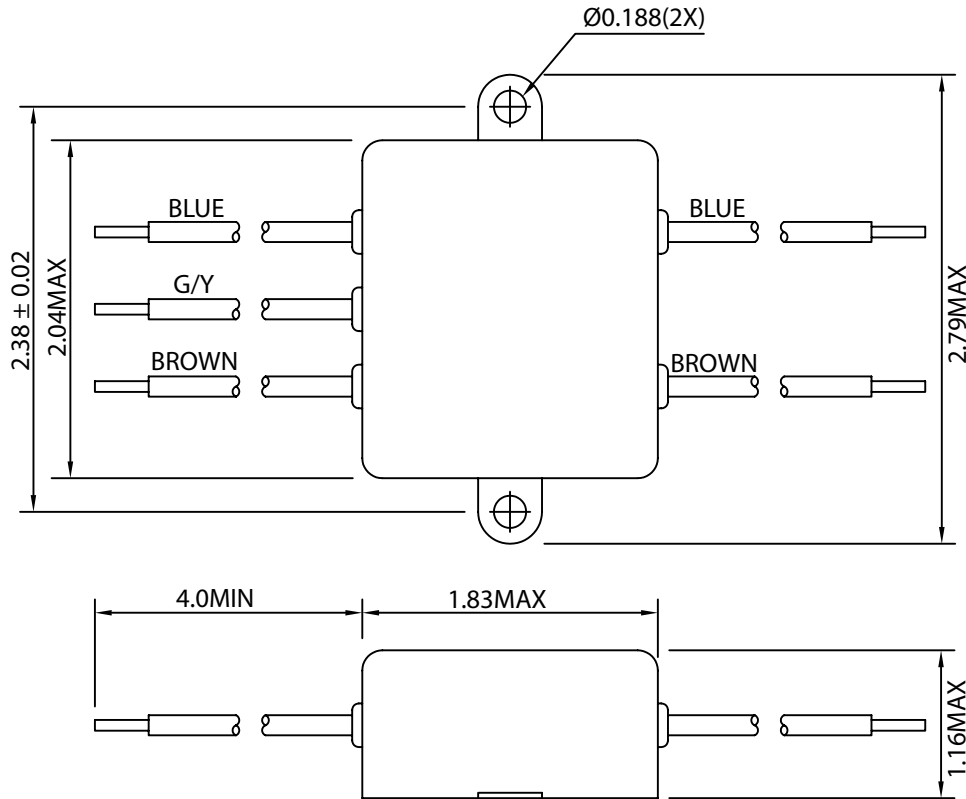


THESE DRAWINGS ARE THE PROPERTY OF QUALTEK ELECTRONICS AND NOT TO BE REPRODUCED FOR OR COMMUNICATED TO A THIRD PARTY WITHOUT THE EXPRESS WRITTEN PERMISSION OF AN OFFICER OF QUALTEK ELECTRONICS.

REVISION			
REV.	DESCRIPTION	DATE	APPROVED
B	RoHS Compliance	06-01-06	LY

1. PHYSICAL DIMENSIONS



ELECTRICAL CHARACTERISTICS:

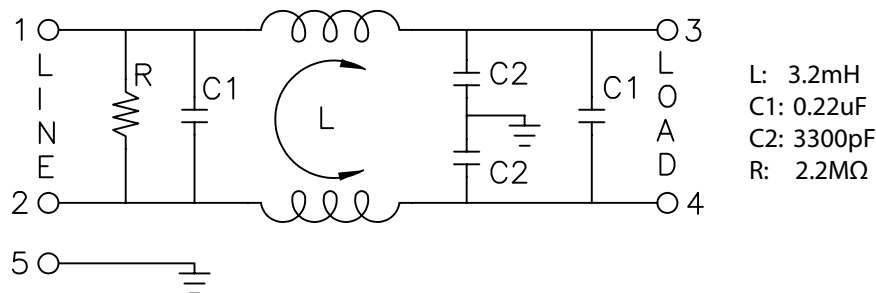
- 1-1. VOLTAGE RATING.....115/250VAC
- 1-2. CURRENT RATING
  - A. @ 115 VAC.....3 A RMS MAX
  - B. @ 250 VAC.....3 A RMS MAX
- 1-3. OPERATING FREQUENCY.....50/60Hz
- 1-4. LEAKAGE CURRENT: EACH LINE TO GROUND
  - A. @ 115 VAC 60Hz.....0.25 mA MAX
  - B. @ 250 VAC 50Hz.....0.45 mA MAX
- 1-5. HIPOT RATING (FOR ONE MINUTE)
  - A. LINE TO GROUND.....2250 VDC
  - B. LINE TO LINE.....1450 VDC
- 1-6. MINIMUM INSERTION LOSS IN dB: (AT 50 OHM SYSTEM)

FREQ. MHz	.01	.05	.10	.15	.50	1.0	5.0	10	30
COM. MODE dB	/	/	/	22	30	38	47	50	40
DIF. MODE dB	/	/	/	10	46	48	50	50	45

- 1-7. OPERATING TEMPERATURE.....-25° TO +100° C
- 1-8. SAFETY:
- 1-9. RoHS COMPLIANT

**CONTROLLED**

2. ELECTRICAL SCHEMATIC



Dim range (mm)	Tolerance +/- (mm)	Qualtek Electronics Corp. PPC DIVISION		
		Part Number:	853-03/004	
0-1	0.15	Description: EMI FILTER		
1-6	0.20	UNIT: in REV. B		
6-18	0.30	Approved / Date		
18-50	0.50	Checked / Date		
50-120	0.70	Drawn / Date		
120-250	0.90	B.Zhang 07-09-03		
250-500	1.20	07-09-03 JJH / 07-09-03		