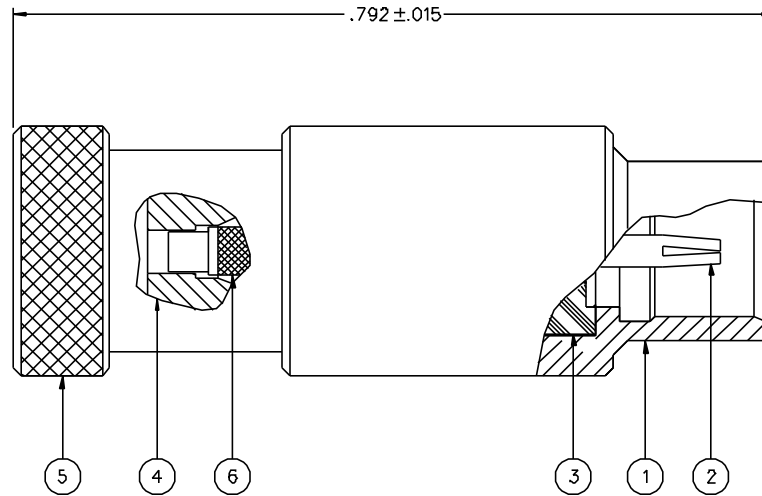


PART NUMBER	ITEM ① FRONT BODY	ITEM ② CONTACT	ITEM ③ INSULATOR	ITEM ④ REAR BODY	ITEM ⑤ END CAP	ITEM ⑥ RESISTOR
133-8701-B31	BRASS GOLD PL .00001 MIN OVER NICKEL PL .00005 MIN OVER COPPER PL .00005 MIN	BERYLLIUM COPPER GOLD PL .00005 MIN OVER NICKEL PL .00005 MIN OVER COPPER PL .00005 MIN	TEFLON	BERYLLIUM COPPER GOLD PL .00001 MIN OVER NICKEL PL .00005 MIN OVER COPPER PL .00005 MIN	BRASS GOLD PL .00001 MIN OVER NICKEL PL .00005 MIN OVER COPPER PL .00005 MIN	METAL FILM TYPE ALUMINA SUBSTRATE 75 OHM ± 1%

DRAWING NO. C - 133-8701-831/840	
0	REVISIONS
ENGINEERING RELEASE	
1	12-30-99 R H J R J 1-24-00 ECN 46769
CHANGED: .792±.015 WAS .800±.015, 1.0 LB MIN/8.0 LBS MAX DISENGAGEMENT WAS 3.0 LBS TYP, 1.0 LBS MIN DISENGAGEMENT 2.3 LBS MIN AXIAL FORCE WAS 4 LBS ***** * REVISION NUMBER FOLLOWED BY AN ALPHA * * CHARACTER INDICATES DRAWING CLARIF * * CATION OR PART NUMBER ADDITION ONLY * *****	
1a	7-25-01 R H J R J ECN 47589



NOTES:

1. SPECIFICATIONS:

IMPEDANCE: 75 OHMS
 FREQUENCY RANGE: 0-6 GHz
 VSWR: 1.05±.01F MAX (F IN GHz)
 MAXIMUM POWER: 1.0 WATT
 POWER RATINGS: MAXIMUM RATED POWER TO +25°C DERATED
 LINEARLY TO 0.5 WATT AT +125°C

CONTACT RESISTANCE:
 CENTER CONTACT - INITIAL 5 MILLIOHM MAX, AFTER
 ENVIRONMENTAL 8 MILLIOHM MAX
 OUTER CONDUCTOR - GOLD PLATED INITIAL 1 MILLIOHM MAX, AFTER
 ENVIRONMENTAL 1.5 MILLIOHM MAX

MECHANICAL:

ENGAGE/DISENGAGE FORCE: 5.6 LBS MAX ENGAGEMENT
 1.0 LB MIN DISENGAGEMENT
 8.0 LBS MAX DISENGAGEMENT
 CONTACT RETENTION FORCE: 2.3 LBS MIN AXIAL FORCE
 DURABILITY: 500 CYCLES MIN

ENVIRONMENTAL:


OPERATING TEMPERATURE: -65°C TO +125°C
 TEMPERATURE COEFFICIENT: ± 300 PPM/DEG C

CUSTOMER DRAWING

THIS DRAWING TO BE INTERPRETED
 PER ANSI Y 14.5M - 1982

"μSTATION"

COMPANY CONFIDENTIAL

TOLERANCE UNLESS OTHERWISE SPECIFIED	DRAWN BY JRK	DATE 9-22-99	 <small>Cinch Connectivity Solutions 299 Johnson Ave. Ste. 100 Waukegan, MN 55095 1-800-247-8256</small>	
DECIMALS .XX	CHECKED BY JRK	DATE 1-7-00	TITLE JACK ASSEMBLY, PRECISION LOAD, 75 OHM MCX	
_____	APPROVED BY RJB	DATE 1-10-00		
MATL _____	APPROVED BY _____	DATE _____	CODE NO.	DRAWING NO. C - 133-8701-831/840
FINISH _____	RELEASE DATE 1-24-00	SCALE 10:1	U/M INCH	SHEET 2 OF 2