

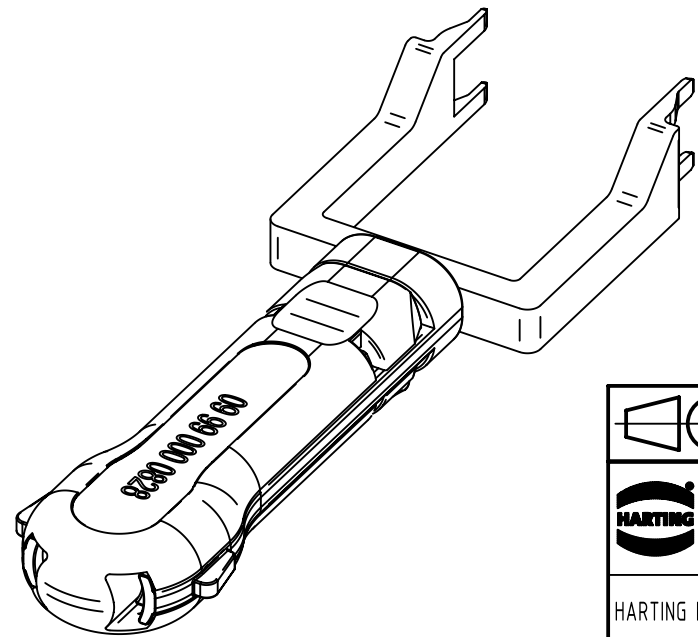
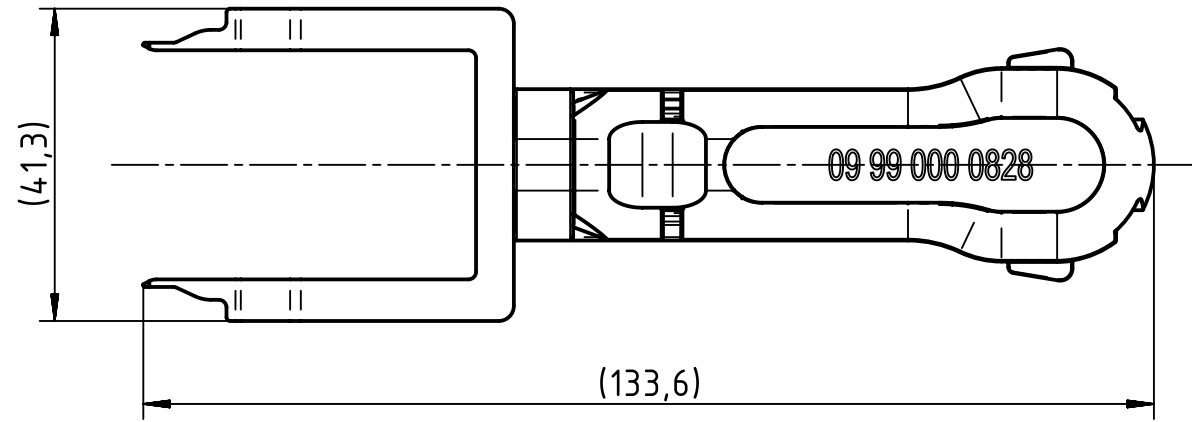
1 2 3 4 5 6

A


B

C

D



① for single modules
 only for plastic frames
 e.g. Han-Eco, Han-Modular docking-frame

	All Dimensions in mm Original Size DIN A4	Scale 1:1		Free size tol.		Ref.	
		Created by MOELLERLI		Inspected by WANGJ		Standardisation TIEMANNA	
All rights reserved Department EL PD - DE		Title Han-Modular removal tool ①		State Final Release		Doc-Key / ECM-Nr. 100232761/UGD/001/B 500000068197	
HARTING Electric GmbH & Co. KG D-32339 Espelkamp		Type TB		Number 09 99 000 0828		Rev. B	
						Page 1/1	