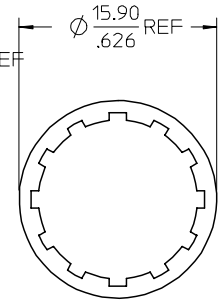
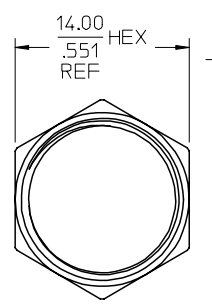
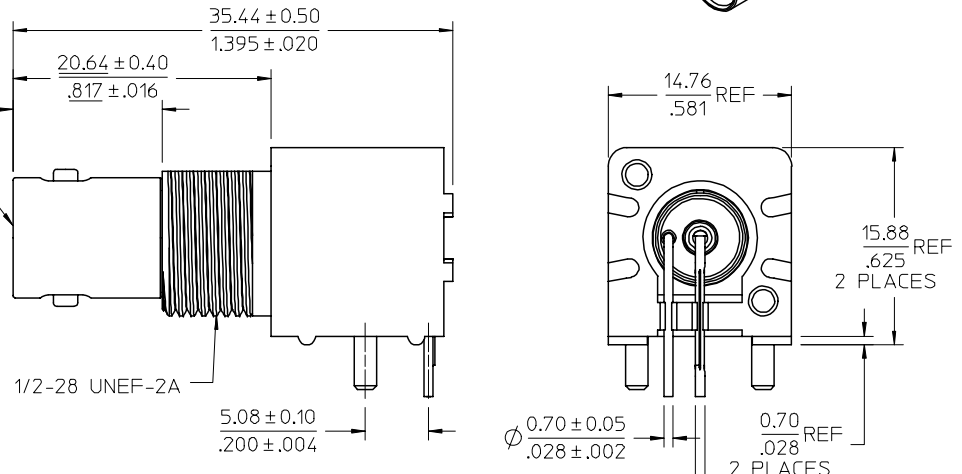
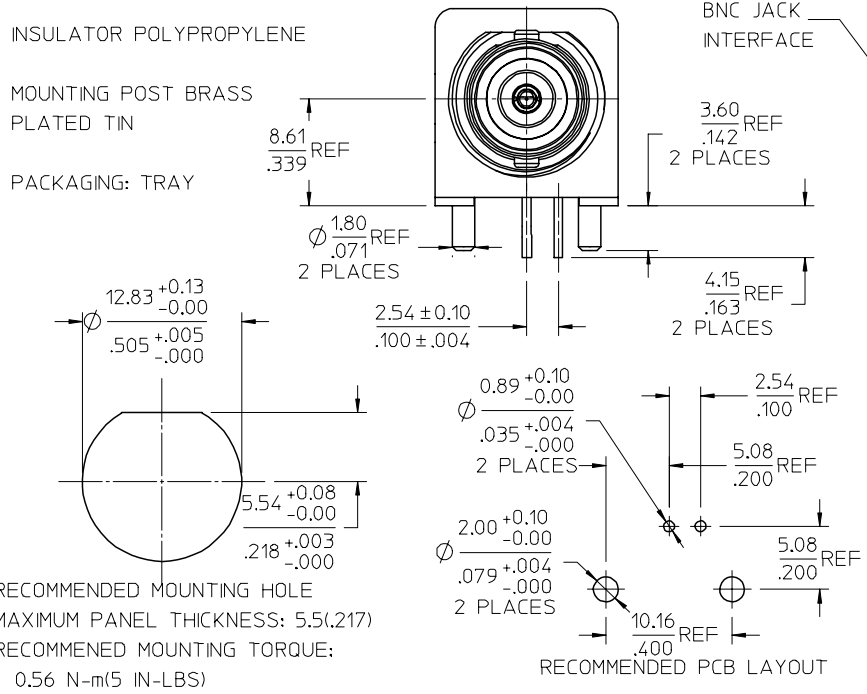
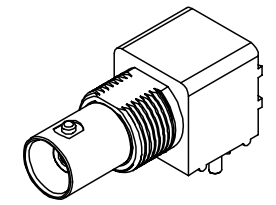
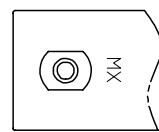


13 12 11 10 9 8 7 6 5 4 3 2 1

MATERIALS AND FINISHES  
 SOLDER TAIL STEEL WIRE  
 PLATED TIN  
 BODY ZINC ALLOY  
 PLATED NICKEL  
 LOCKWASHER PHOSPHOR BRONZE  
 PLATED NICKEL  
 HOUSING PBT  
 COLOR BLACK  
 JAM NUT BRASS  
 PLATED NICKEL  
 CENTER CONTACT PHOSPHOR BRONZE  
 PLATED GOLD/TIN  
 INSULATOR POLYPROPYLENE  
 MOUNTING POST BRASS  
 PLATED TIN  
 PACKAGING: TRAY



JAM NUT

LOCKWASHER

RECOMMENDED PCB LAYOUT

RECOMMENDED MOUNTING HOLE  
 MAXIMUM PANEL THICKNESS: 5.5(.217)  
 RECOMMENDED MOUNTING TORQUE:  
 0.56 N-m(5 IN-LBS)

PART # 73138-5003

PS-73598-0077	ELECTRO/MECH PERFORM.
SPECIFICATION	DESCRIPTION

CHG: REDREW IN SD  
 MATERIAL FOR  
 HOUSING WAS VALOX  
 MATERIAL FOR  
 SOLDER TAIL WAS  
 BRASS  
 FC NO: URF2008-0039  
 DRAWN: FLAHERTY 2007/07/23  
 CHKD: SHAH 2007/07/23  
 APPR: JIMENER 2007/07/23

QUALITY SYMBOLS  
  
 DESCRIPTION

GENERAL TOLERANCES (UNLESS SPECIFIED)	
4 PLACES ±	±
3 PLACES ±	±
2 PLACES ±	±
1 PLACE ±	±
ANGULAR ± 2 °	
DRAFT WHERE APPLICABLE MUST REMAIN WITHIN DIMENSIONS	

DIMENSION STYLE	
MM/IN	
DRAWN BY	DATE
LILY	1992/01/23
CHECKED BY	DATE
DENG	1992/01/23
APPROVED BY	DATE

SCALE	DESIGN UNITS	THIRD ANGLE PROJECTION
	METRIC	
BNC JACK, R/A PCB 50 OHMS, EWR-2081 BNC-J/BLK/PCB		
MOLEX INCORPORATED		
MATERIAL NO.	DOCUMENT NO.	SHEET NO.
731385003	SD-73138-5003	1 OF 1
THIS DRAWING CONTAINS INFORMATION THAT IS PROPRIETARY TO MOLEX INCORPORATED AND SHOULD NOT BE USED WITHOUT WRITTEN PERMISSION		

12 11 10 9 8 7 6 5 4 3 2 1