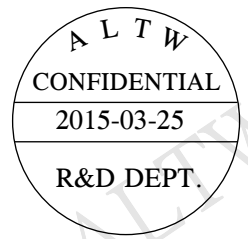
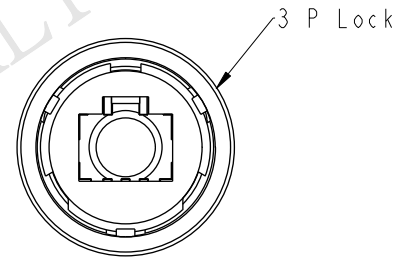
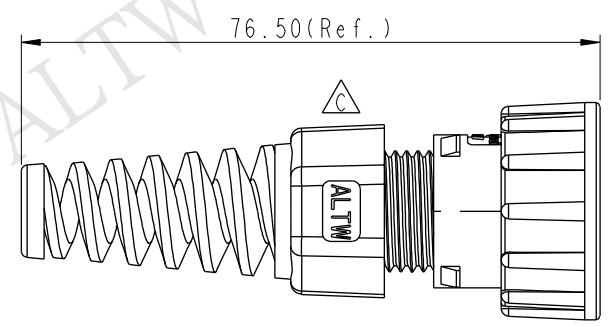
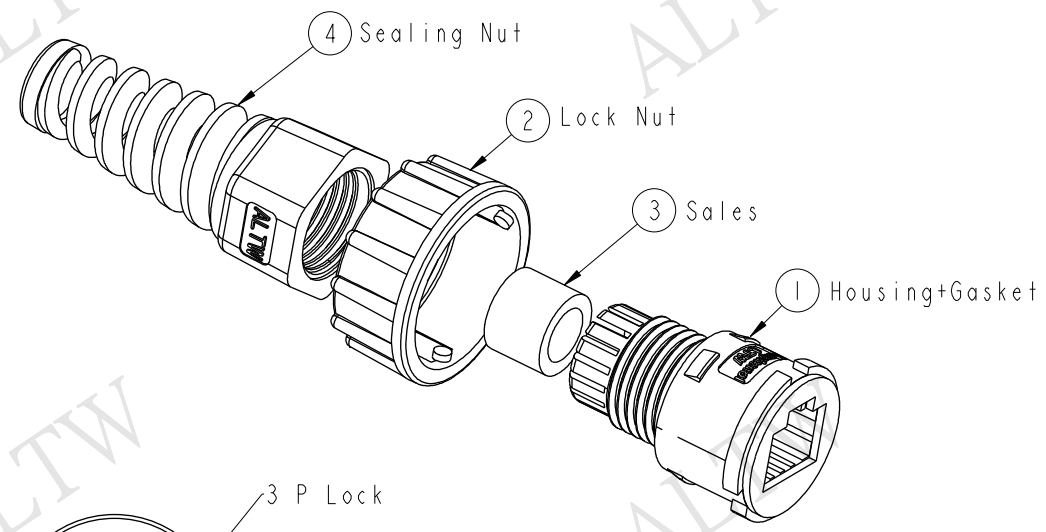
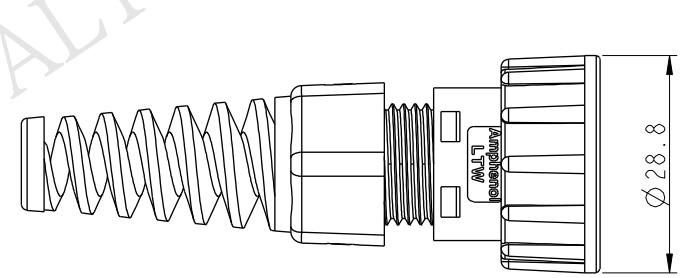


THIS DOCUMENT IS SUBJECT TO CHANGE WITHOUT NOTICE. IT IS CONFIDENTIAL AND A PROPERTY OF AMPHENOL LTW. DISCLOSURE TO THIRD PARTY HAS TO BE AUTHORIZED BY AMPHENOL LTW.

REV.	ECN NO.	DATE	SIGN	DESCRIPTION
B	LE31490143	2014/09/03	Joyy	Change to 94V0 materail
C	LEN1540067	2015/03/25	Ruru	Change Logo



- Note:
- \* (C) Important Dimention To Check
  - \* Waterproof Rate: IP67
  - \* Gasket: Silicone, Gray
  - \* (B) Housing: Nylon66, Black
  - \* Lock Nut: Nylon+GF, Black
  - \* (B) Sealing Nut: Nylon66, Black
  - \* Seals For Cable OD  $\varnothing 4.5\text{mm} \sim \varnothing 6.5\text{mm}$
  - \* One Set Unassembled In One PE Bag

UNIT: mm		
TOLERANCE		
.X	±0.25	
.XX	±0.1	
.XXX	±0.05	
ANGLES	±1°	

TITLE RJ45 ASSY, DSIZE, 3T WITH SR			
SCALE 1:1	SIZE A4	SHEET 1 OF 1	
REV. C	WC-REV. A.11	QC: Inspection item	

**Amphenol LTW**  
安費諾亮泰企業股份有限公司

ITEM NO. RDP-00AMMA-TLM7001	DRAWN BY Ruru	DATE 2015-03-25
DWG NO. RDP-00AMMA-TLM7001	CHECKED BY Rita	DATE 2015-03-25
CUSTOMER ALTW	APPROVED BY Lion	DATE 2015-03-25