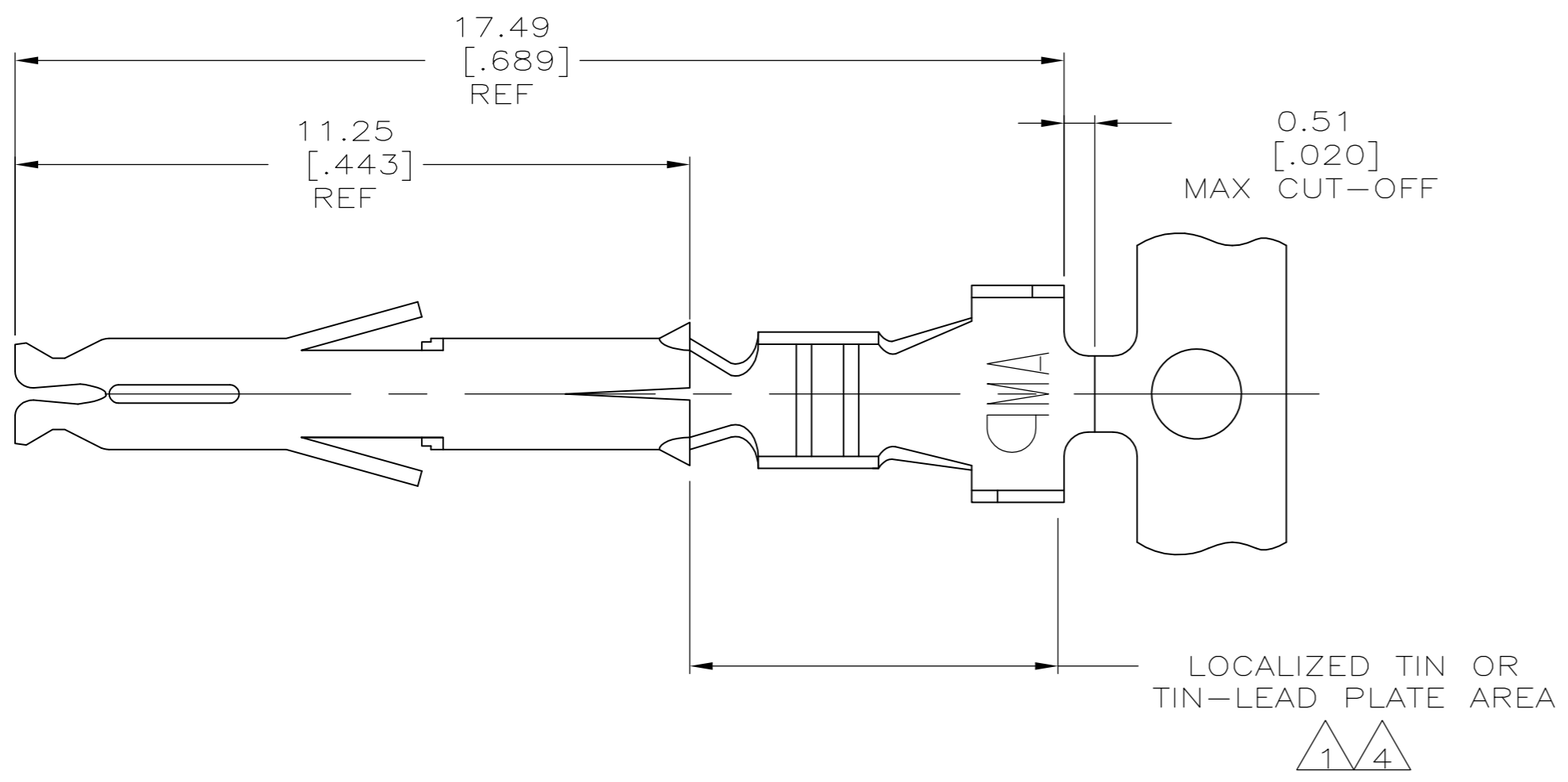
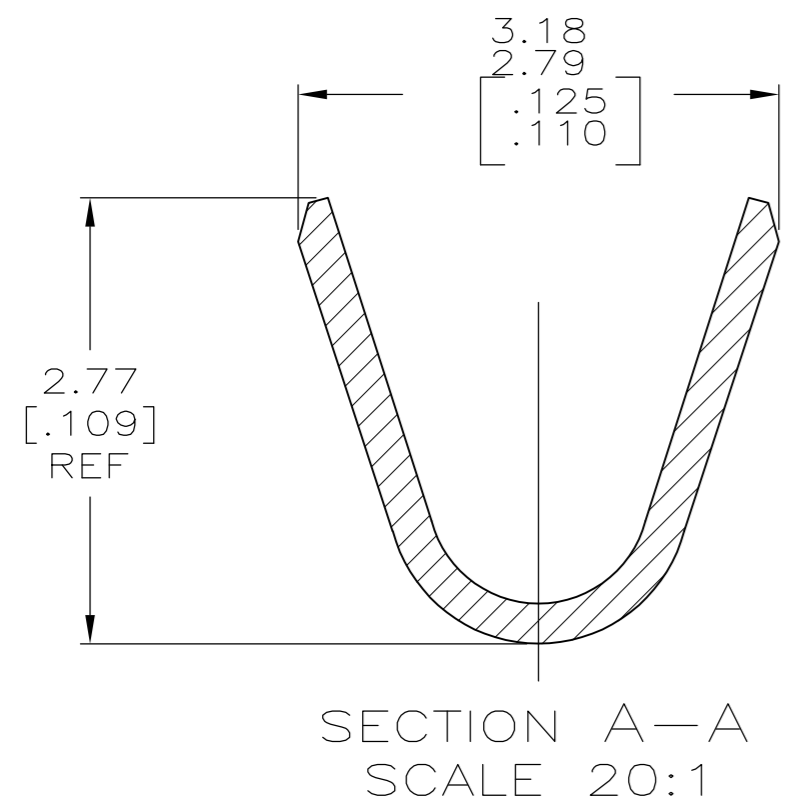
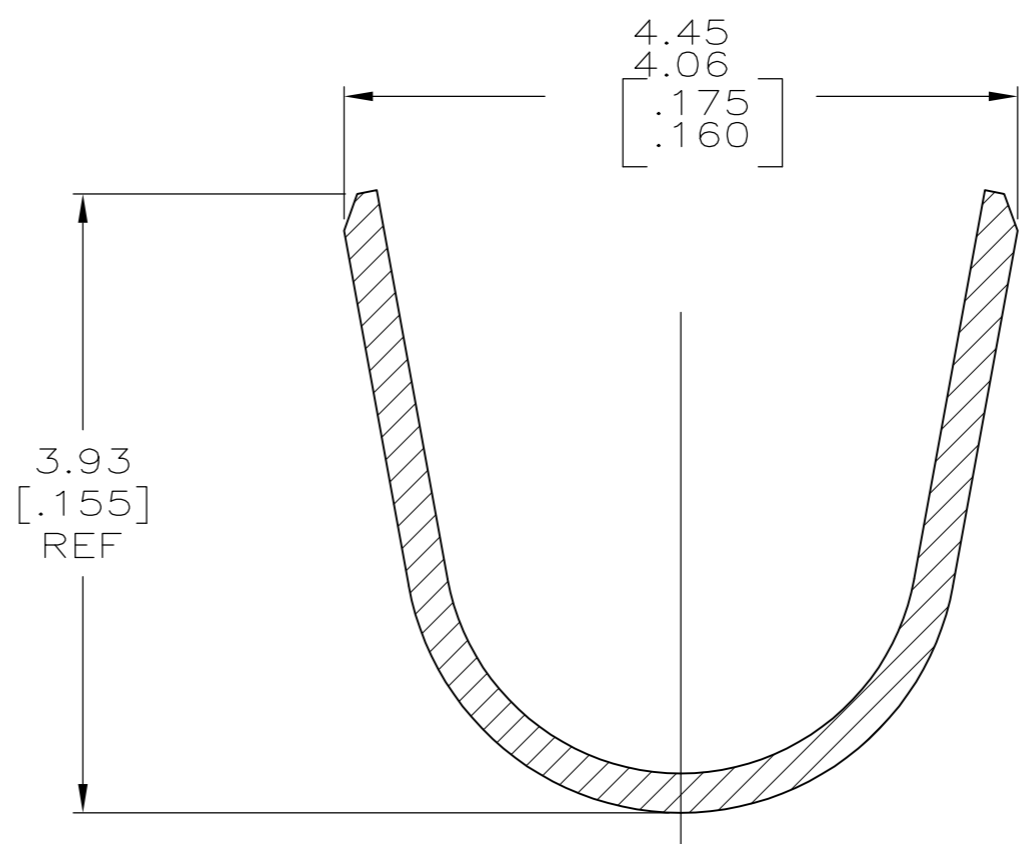
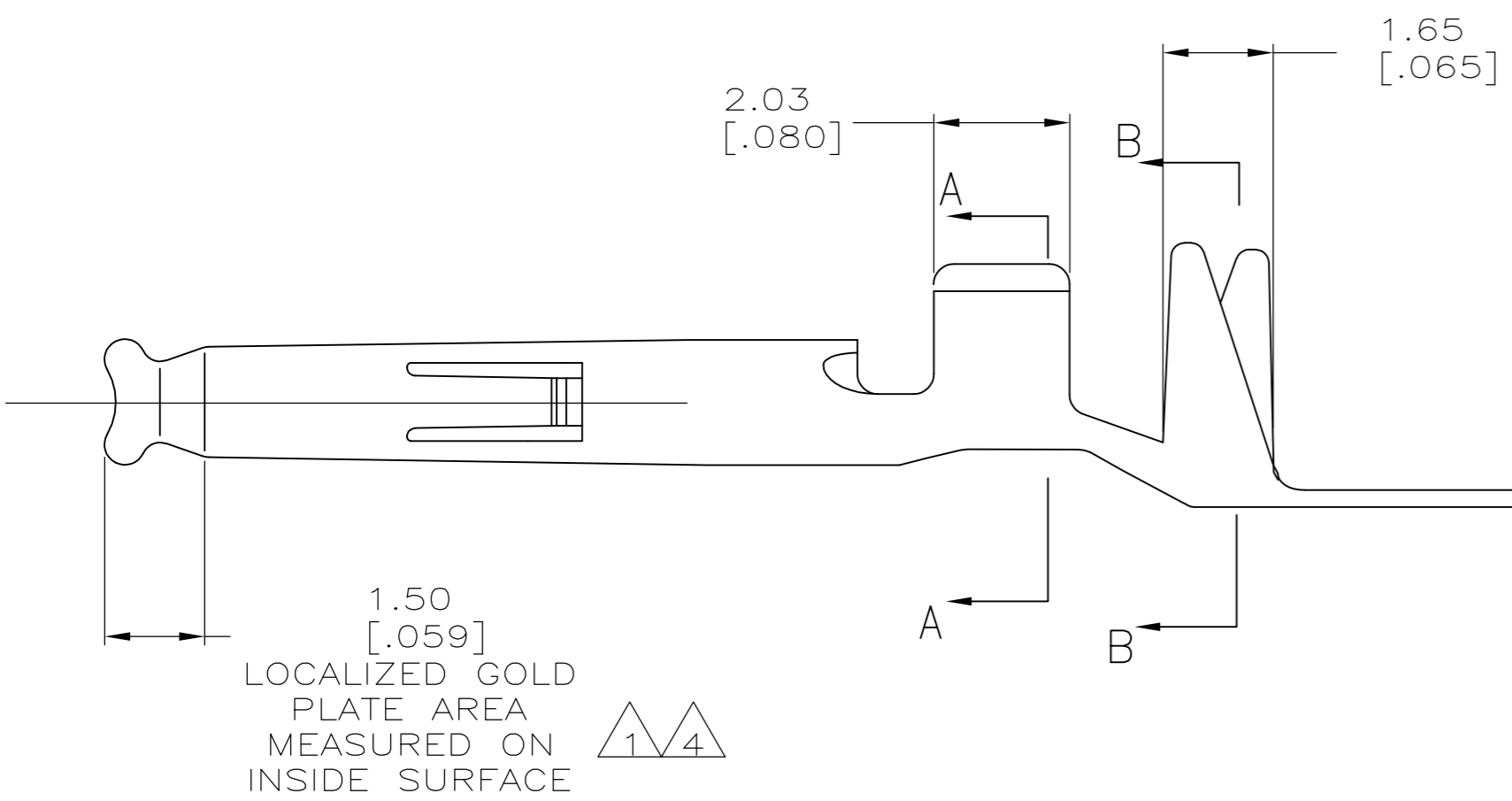


THIS DRAWING IS UNPUBLISHED. RELEASED FOR PUBLICATION  
 © COPYRIGHT - By - ALL RIGHTS RESERVED.

| LOC |     | DIST        |                           | REVISIONS |         |      |     |
|-----|-----|-------------|---------------------------|-----------|---------|------|-----|
| P   | LTR | DESCRIPTION |                           | DATE      | DWN     | APVD |     |
| CM  | 00  | D1          | REVISED PER ECO-11-004820 |           | 11MAR11 | RK   | HMR |



- 1. 0.00076 [.000030] MIN GOLD PER IN LOCALIZED GOLD PLATE AREA AND 0.00254-0.00635 [.000100-.000250] BRIGHT TIN-LEAD PER IN LOCALIZED TIN-LEAD PLATE AREA OVER 0.00127 [.000050] MIN NICKEL.
- 2. WIRE RANGE: 0.5-1.4MM<sup>2</sup> (20-16 AWG).
- 3. INSULATION RANGE: 2.01-3.20[.079-.126] DIA.
- 4. 0.00076 [.000030] MIN GOLD PER IN LOCALIZED GOLD PLATE AREA AND 0.00254-0.00635 [.000100-.000250] MATTE TIN IN LOCALIZED TIN PLATE AREA OVER 0.00127 [.000050] MIN NICKEL.



| FINISH  | MATERIAL                | PART NUMBER |
|---------|-------------------------|-------------|
| 4       | 0.20 [.008] PH BRZ      | 1-794407-1  |
| 4       | 0.20 [.008] BRASS       | 1-794407-0  |
| 1       | 0.25 [.010] PHOS BRONZE | 794407-6    |
| PRE-TIN | 0.25 [.010] PHOS BRONZE | 794407-4    |
| 1       | 0.25 [.010] BRASS       | 794407-3    |
| PRE-TIN | 0.25 [.010] BRASS       | 794407-1    |

THIS DRAWING IS A CONTROLLED DOCUMENT.

|                       |   |
|-----------------------|---|
| DWN S. HOOVER 10JAN03 | TE Connectivity   |
| CHK C. JONES 10JAN03  |   |
| APVD C. JONES 10JAN03 |   |
| PRODUCT SPEC          |   |
| APPLICATION SPEC      | NAME  |
| MATERIAL              | SOCKET, MINI UNIVERSAL MATE-N-LOK(TM)                     |
| FINISH                | SIZE A2 CAGE CODE 00779 DRAWING NO C=794407 RESTRICTED TO |
| CUSTOMER DRAWING      | SCALE 10:1 SHEET 1 OF 1 REV D1                            |

