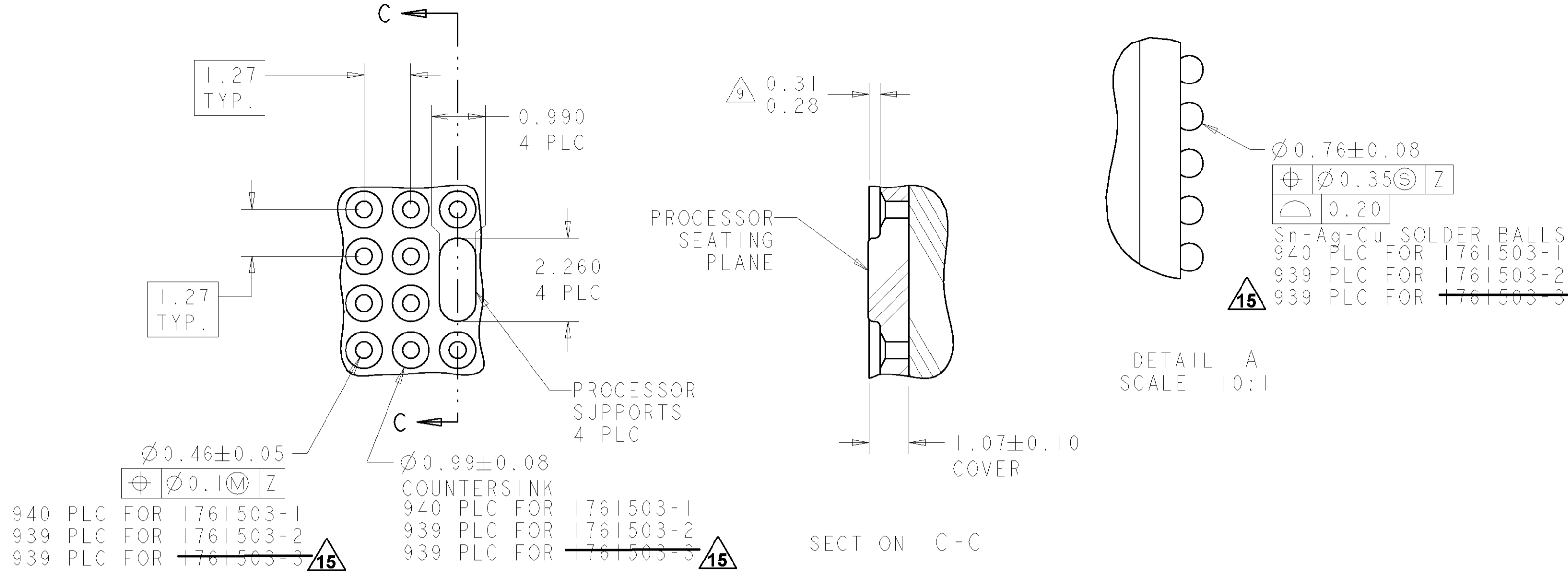
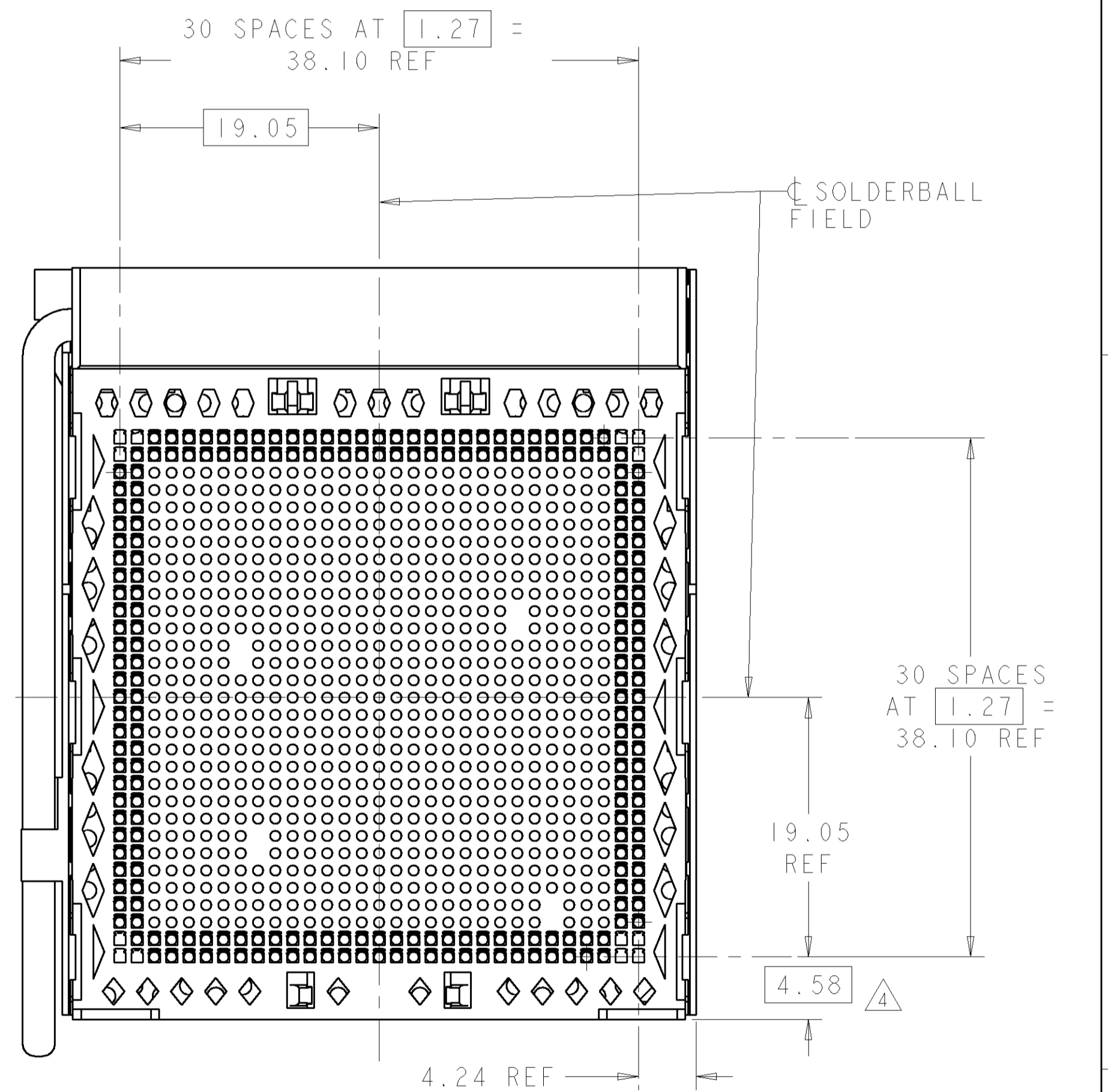
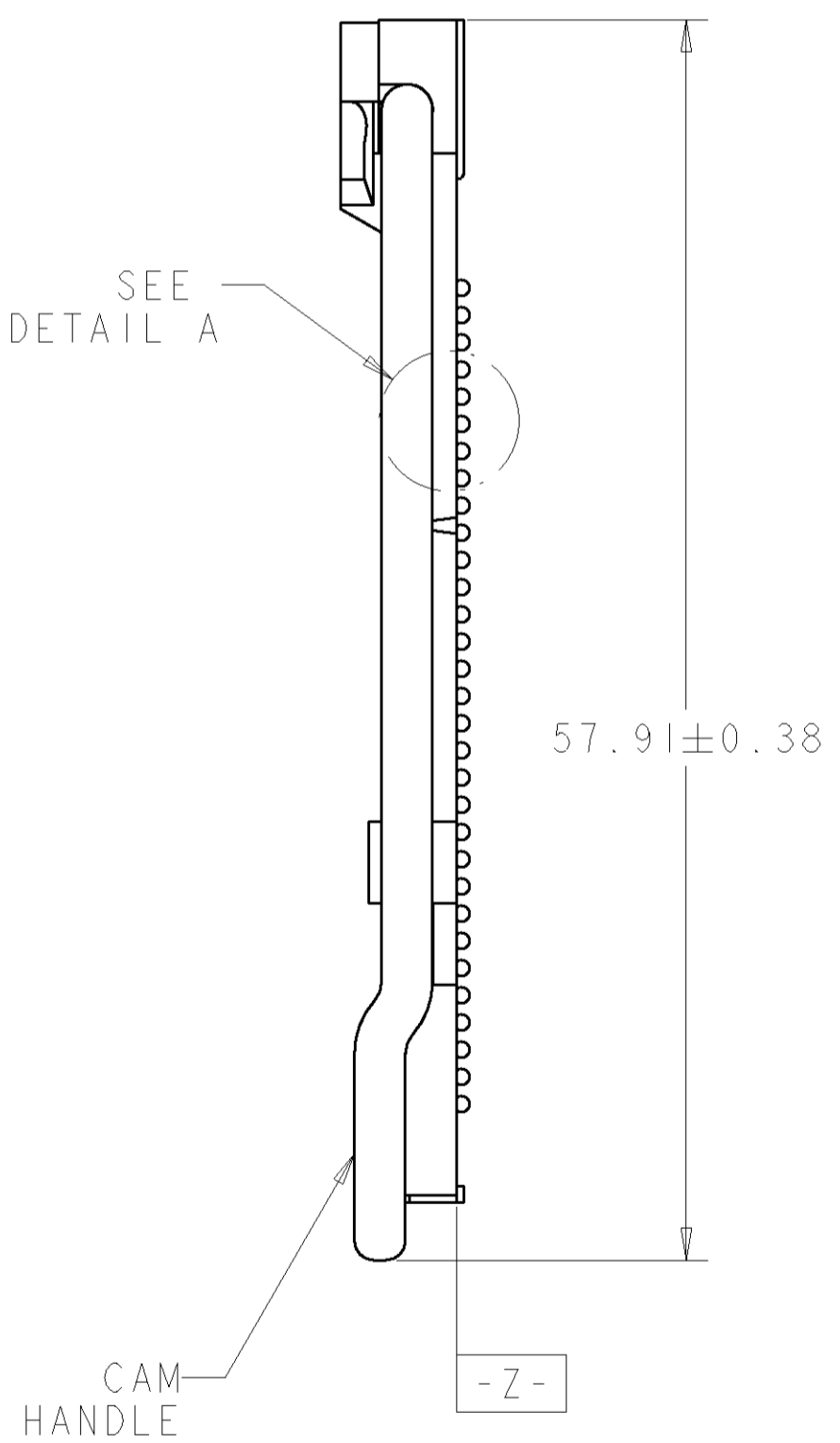
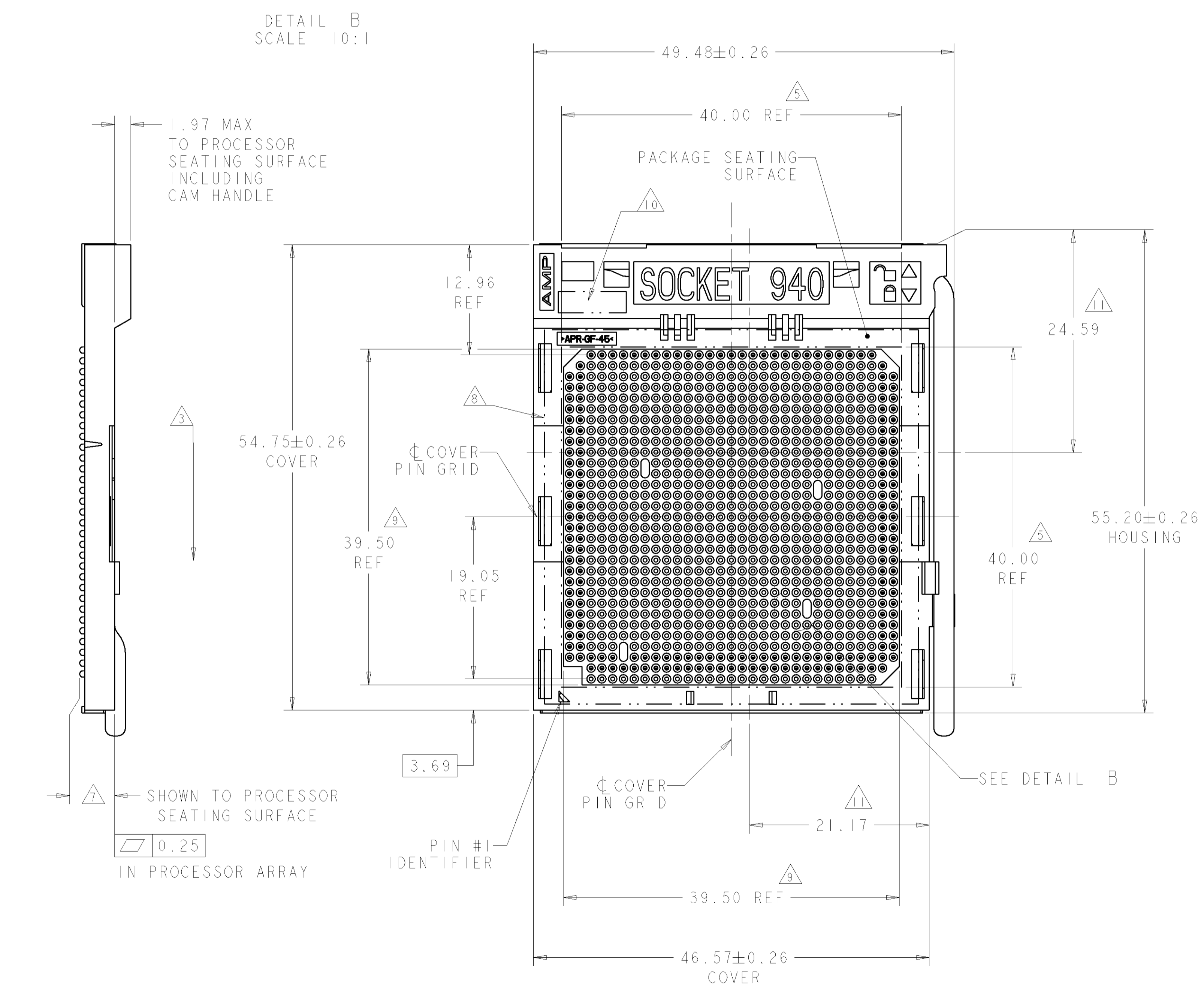


REVISONS		DATE	OWN	APPV
P. LTR	DESCRIPTION			
D	REVISED PER ECR-08-002542	29JAN2008	SYJ	LSF
D1	REVISED PER ECO-09-025639	08DEC09	KK	AEG



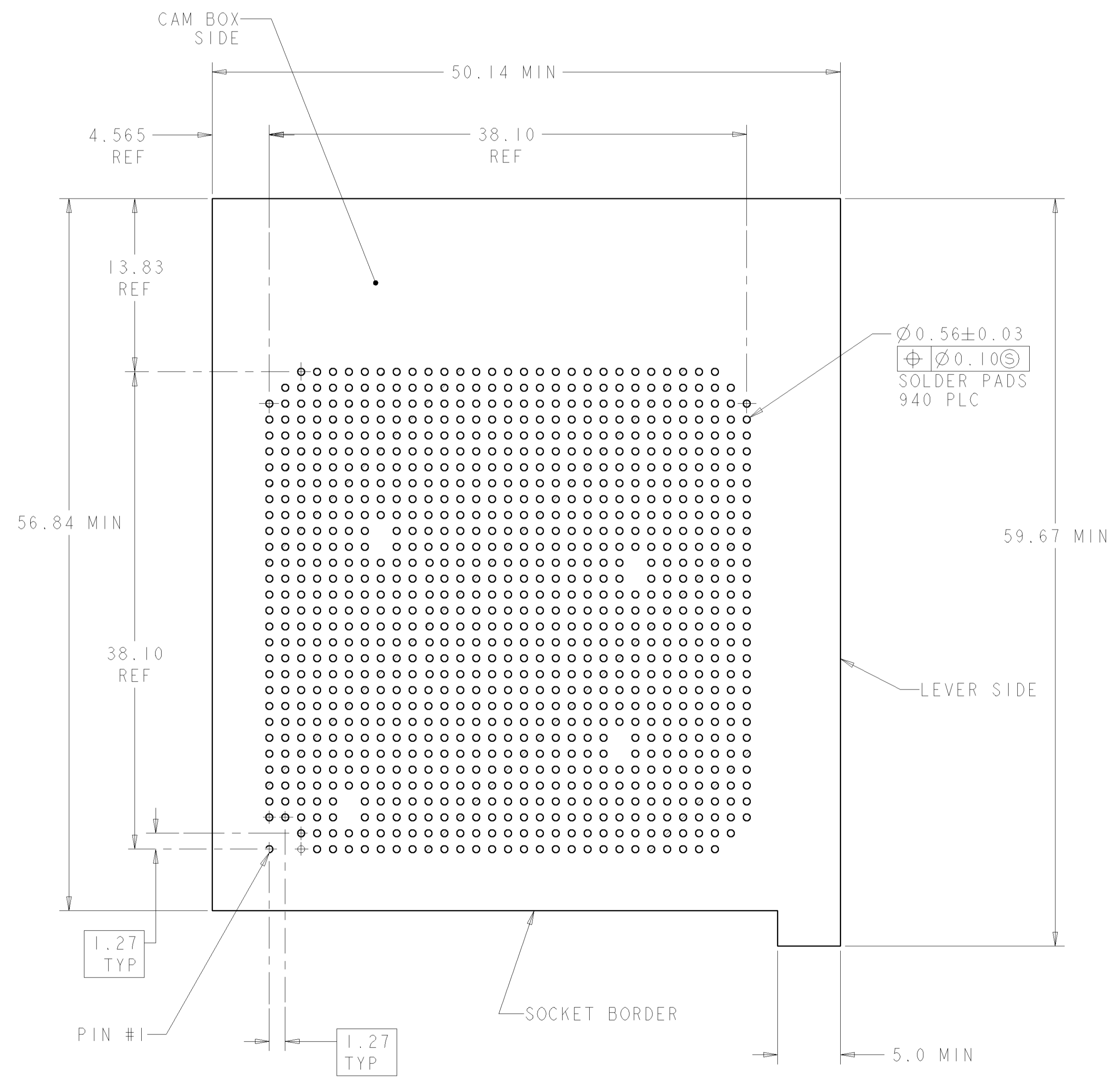
- 1 HOUSING: HIGH TEMPERATURE THERMOPLASTIC, UL94V-0, BLACK.
- 2 COVER: HIGH TEMPERATURE THERMOPLASTIC, UL94V-0, NATURAL;
- 3 CONTACT: COPPER ALLOY; HANDLE: STAINLESS STEEL.
- 4 CONTACT: 0.76µm MIN GOLD IN CONTACT AREA, OVER 1.27µm MIN NICKEL ALL OVER.
- 5 ACTUATION DIRECTION AS SHOWN 0.38 NOMINAL PROCESSOR MOVEMENT.
- 6 THIS DIMENSION FOR FRONT ROW SOLDER BALLS.
- 7 PROCESSOR OUTLINE.
- 8 SOCKET IS DESIGNED FOR SINGLE SIDE PCB APPLICATION ONLY.
- 9 SOCKET FINAL HEIGHT FROM PC BOARD TO PROCESSOR SEATING SURFACE IS, 4.35 MAX BEFORE SOLDER REFLOW AND 4.20 MAX AFTER SOLDER REFLOW.
- 10 PICK-UP TAPE COVERING ALL CIRCUIT HOLES PROVIDED FOR PICK AND PLACE EQUIPMENT. IMPORTANT: REMOVE TAPE BEFORE INSTALLING PROCESSOR.
- 11 POCKET RECESS.
- 12 DATE CODE MARKINGS APPROXIMATE AREA SHOWN.
- 13 APPROXIMATE CENTER OF GRAVITY OF SOCKET ASSEMBLY
- 14 PC BOARD LAYOUTS FOR 1761503-2, -3 AND -4 ARE EACH DIFFERENT THAN 1761503-1 IN AREAS CIRCLED.
- 15 QUALIFICATION TEST REPORT 501-571.
- 16 PART NUMBER HAS BEEN OBSOLETE.
- 17 OBSOLETE PARTS: OBSOLETE CIS STREAMLINING PER D.RENAUD/D.SINISI



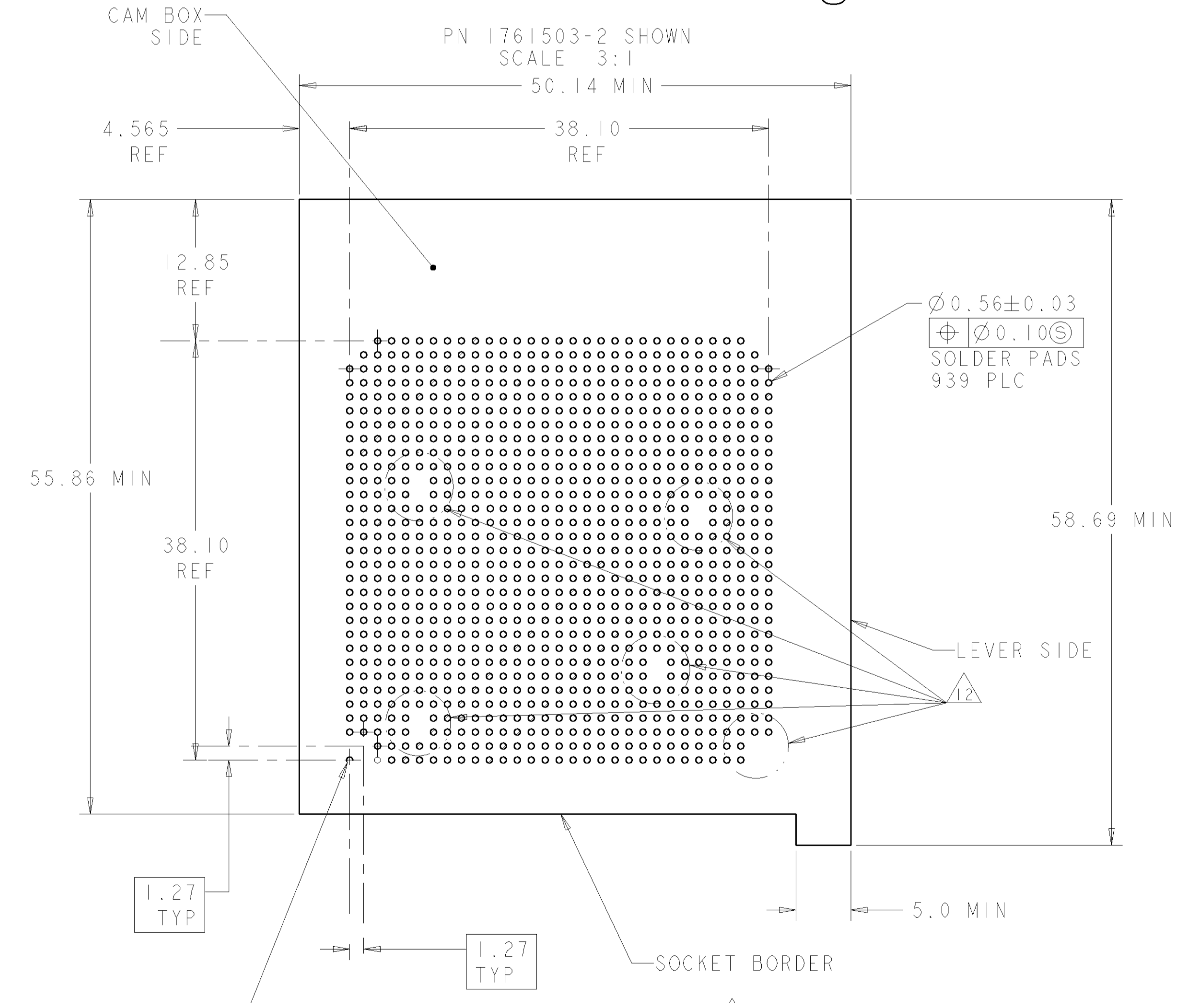
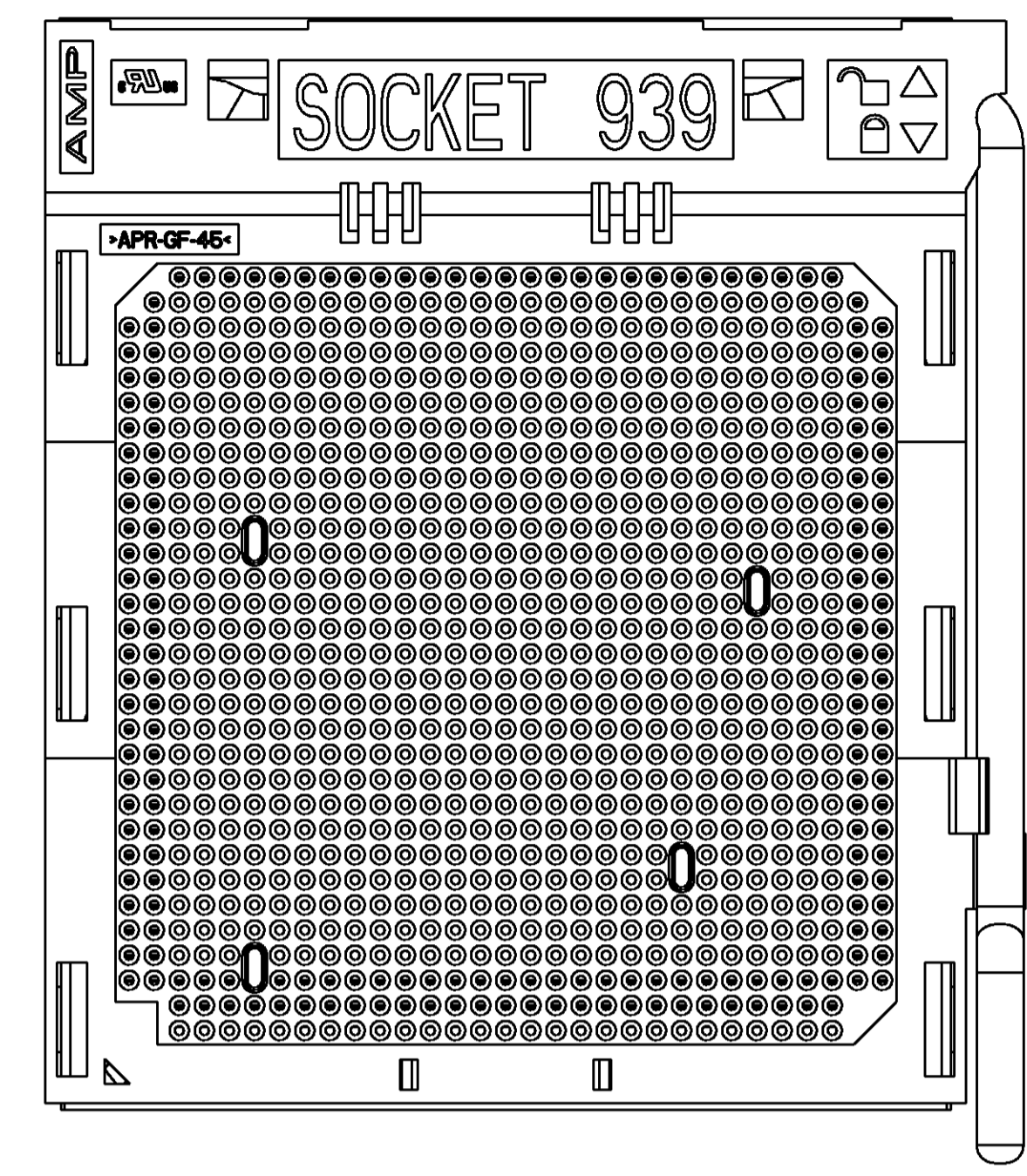
SEE VIEW AND PCB LAYOUT, SH 3	1761503-4
SEE VIEW AND PCB LAYOUT, SH 3	1761503-3
SEE VIEW AND PCB LAYOUT, SH 2	1761503-2
AS SHOWN, SH 1 AND PCB LAYOUT, SH 2	1761503-1
DESCRIPTION	PART NUMBER

15
OBSOLETE

DIMENSIONS: mm		TOLERANCES UNLESS OTHERWISE SPECIFIED:		DRAWN: B.C. / DESIGNER: B.D. KUHNLY		Tyco Electronics Corporation Singapore	
9 PLC	±	0.10	±	250CT2004	NAME	SOCKET PACKAGING	
1 PLC	±	0.01	±	108-51077	PRODUCT SPEC	940/939 POSITION, SINGLE LEVER	
5 PLC	±	0.001	±	114-13092	APPLICATION SPEC	ACTUATED, ZIF, MICRO PGA, LF	
4 PLC	±		±	14.1g	SIZE	CAGE CODE	DRAWING NO
MATERIAL	FINISH	WEIGHT	14.1g	00779	RESTRICTED TO		
CUSTOMER DRAWING		SCALE	3:1	SHEET	1	OF	4
		REV	D1				



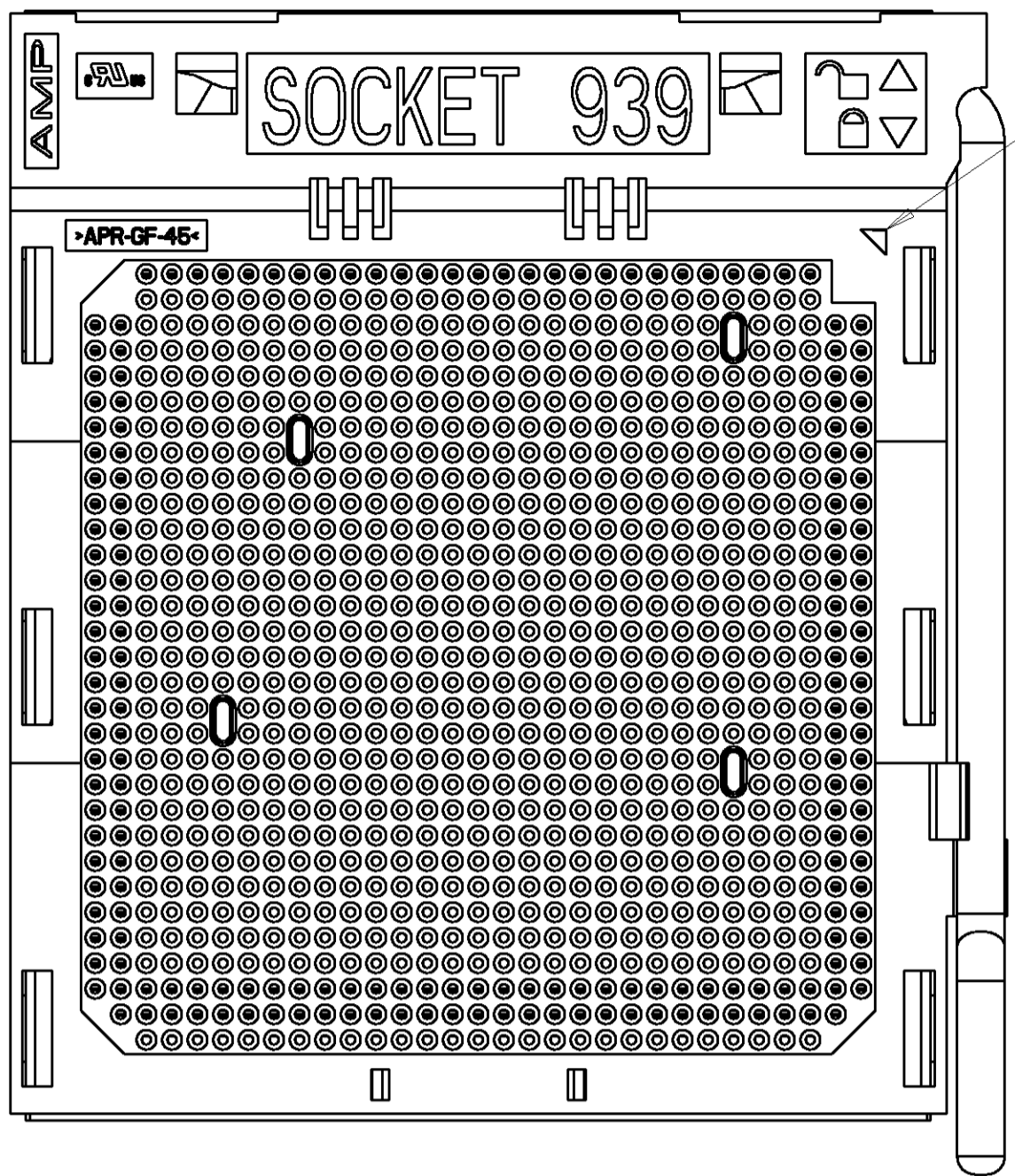
PC BOARD LAYOUT
 (FOR 1761503-1 940 POSITION ONLY)
 SCALE 4:1



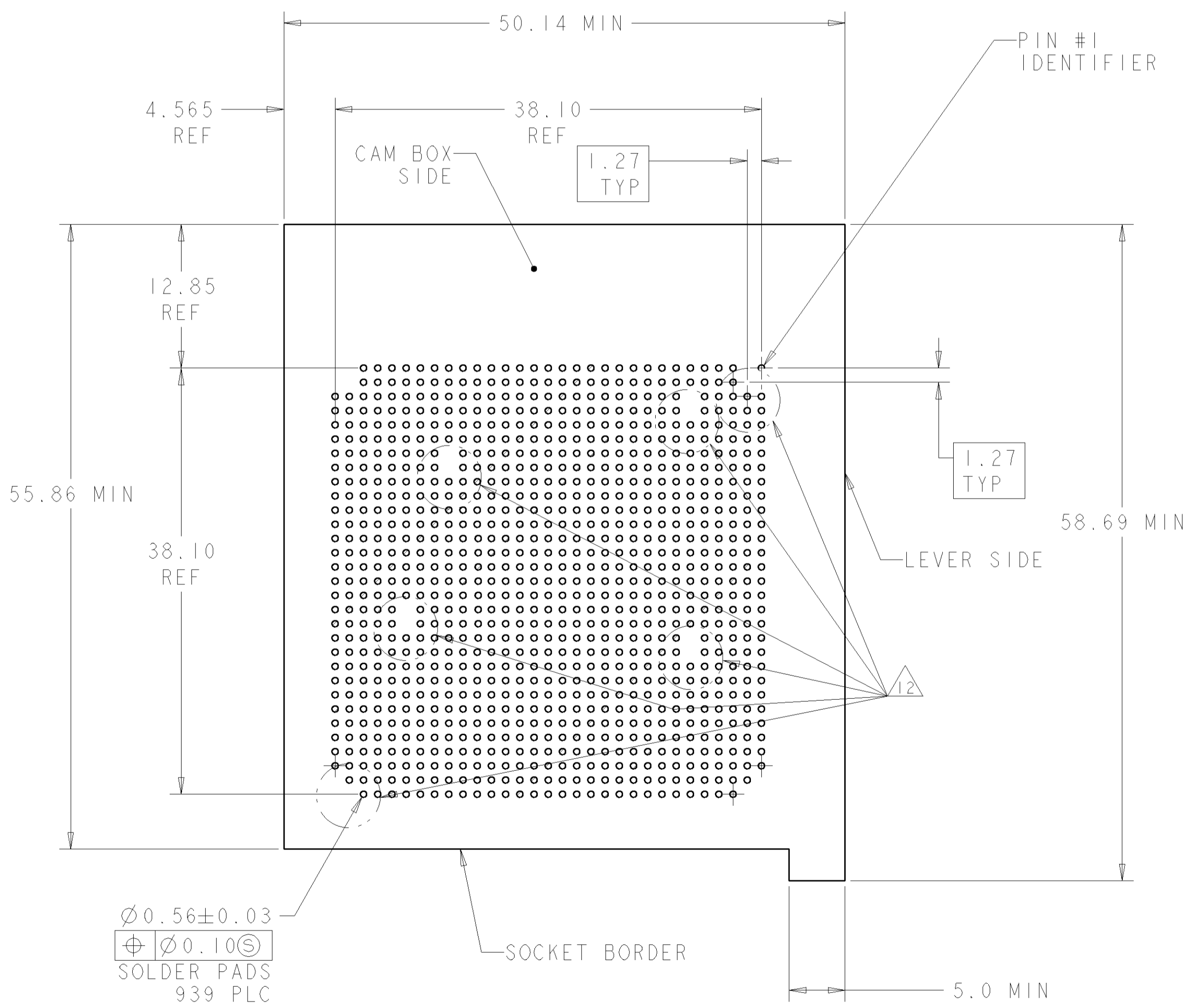
PC BOARD LAYOUT
 (FOR 1761503-2 939 POSITION ONLY)
 SCALE 3:1

DIMENSIONS: mm 		TOLERANCES UNLESS OTHERWISE SPECIFIED: 9 PLC ± 1 PLC ±0.01 3 PLC ±0.001 4 PLC ± ANGLES ± FINISH		DWN / SEC / DESIGNER / CHECKER B. D. KUHNLY APVD PRODUCT SPEC 108-51077 APPLICATION SPEC 114-13092 WEIGHT 14.1g CUSTOMER DRAWING		REVISIONS DATE DWN APVD SEE SHEET 1	
MATERIAL: -		FINISH: -		NAME SOCKET PACKAGING 940/939 POSITION, SINGLE LEVER ACTUATED, ZIF, MICRO PGA, LF		SIZE CAGE CODE DRAWING NO. 00779 C=1761503	
Tyco Electronics Corporation Singapore				RESTRICTED TO SCALE 3:1 SHEET 2 OF 4 REV D1		DATE: - DWN: - APVD: -	

LOC	DIST	REVISIONS			
P.	LTR	DESCRIPTION	DATE	DWN	APVD
-	-	SEE SHEET 1	-	-	-



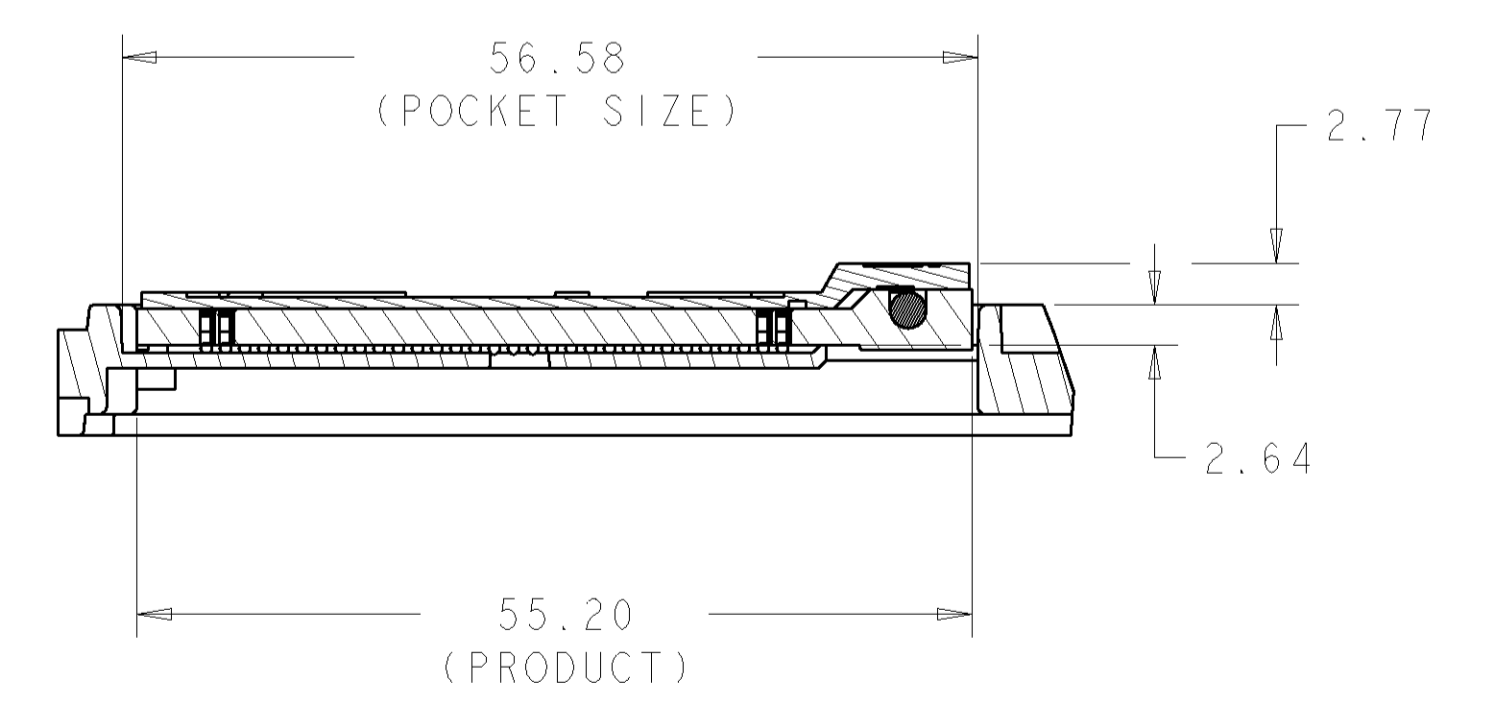
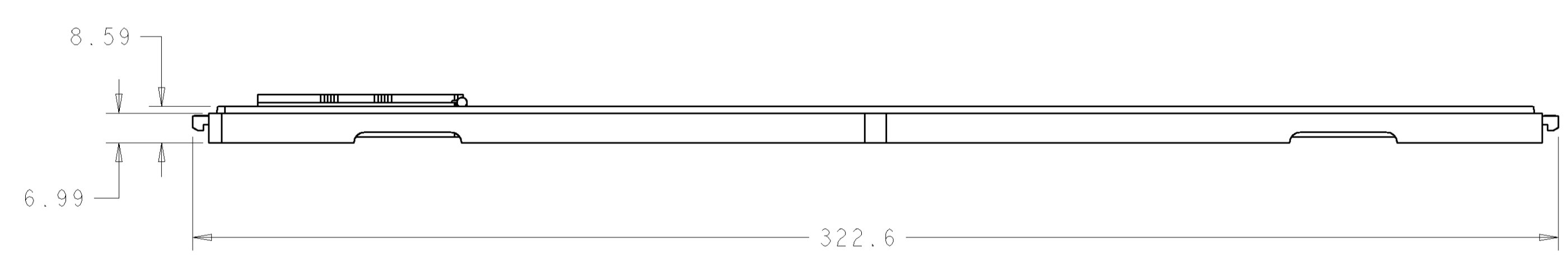
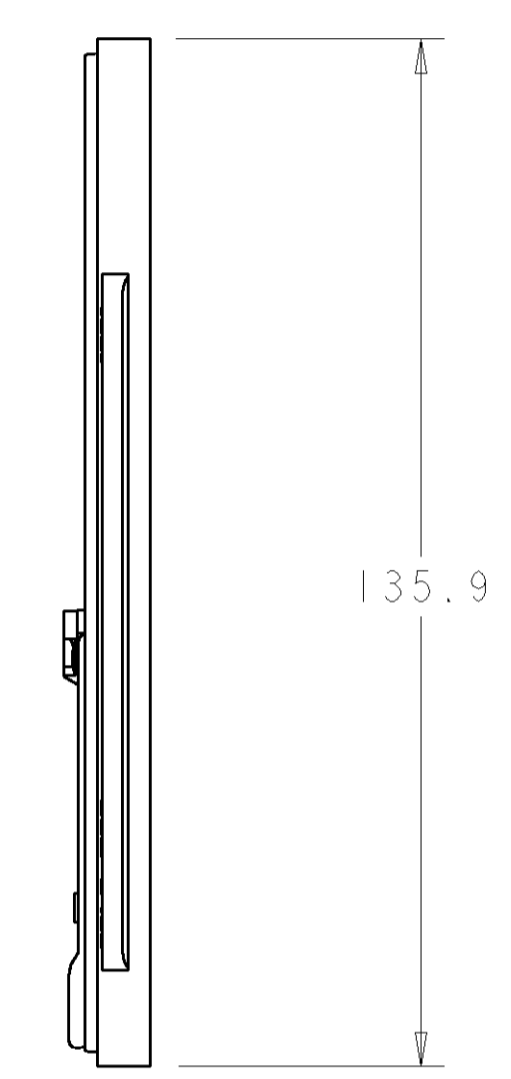
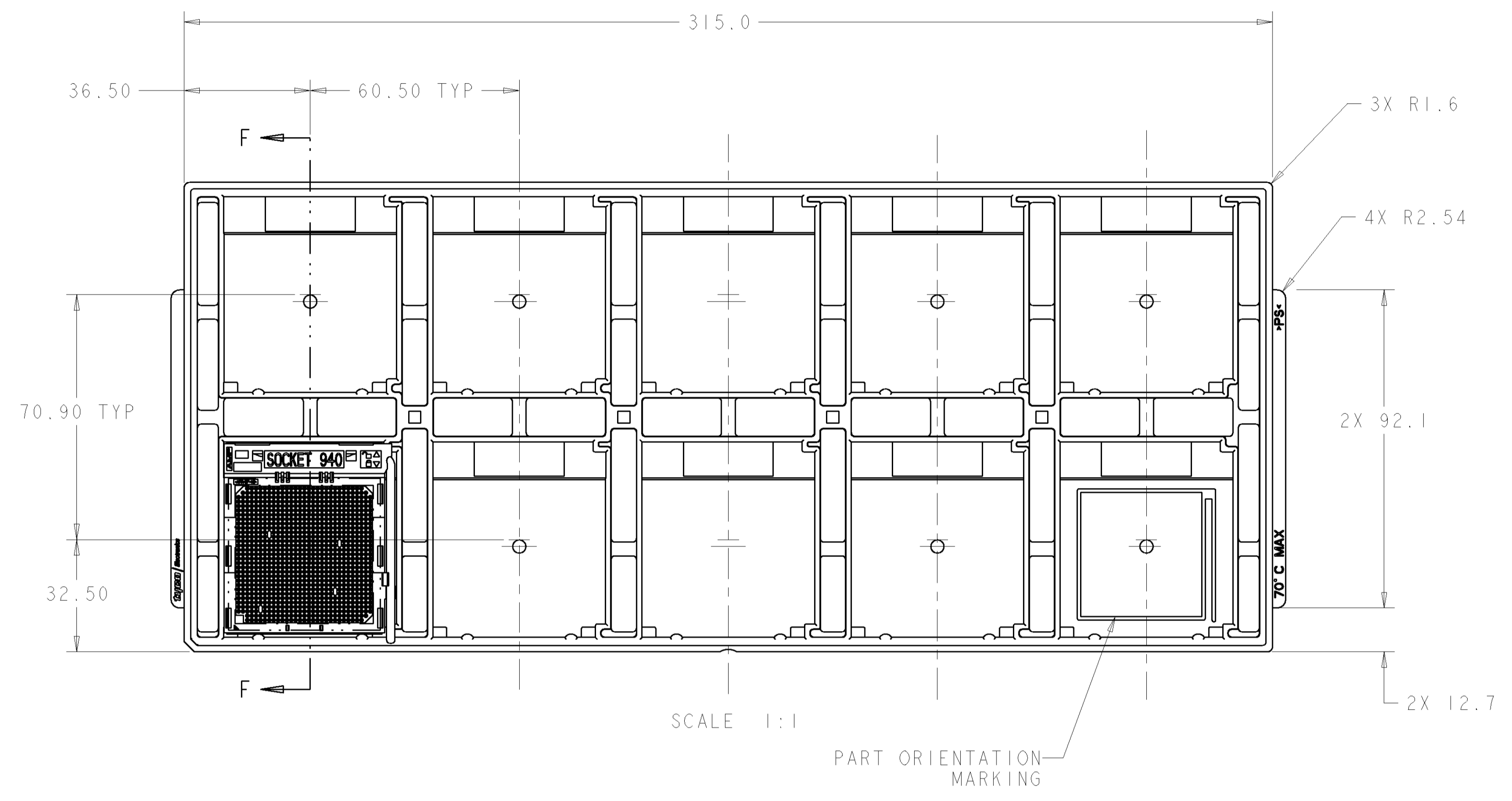
SCALE 3:1
 PN 1761503-3 SHOWN
 (SAME AS 1761503-2 EXCEPT CONTACT PATTERN
 AND POLARIZATION FEATURES ROTATED 180°)



PC BOARD LAYOUT
 (FOR 1761503-3 939 POSITION ONLY)
 SCALE 3:1

<small>THIS DRAWING IS UNPUBLISHED. RELEASED FOR PUBLICATION BY TYCO ELECTRONICS CORPORATION. ALL RIGHTS RESERVED.</small>		DWN: 25OCT2004 BEC/DESIGNER CDR: B. D. KUHNLY APVD:	Tyco Electronics Corporation Singapore
DIMENSIONS: mm	TOLERANCES UNLESS OTHERWISE SPECIFIED: 0 PLC ± 1 PLC ±0.01 3 PLC ±0.01 4 PLC ± ANGLES ±	NAME: SOCKET PACKAGING PRODUCT SPEC: 940/939 POSITION, SINGLE LEVER APPLICATION SPEC: ACTUATED, ZIF, MICRO PGA, LF	SIZE: A CAGE CODE: 00779 DRAWING NO: C=1761503
MATERIAL: -	FINISH: -	WEIGHT: 14.1g	RESTRICTED TO: -
CUSTOMER DRAWING		SCALE: 3:1	SHEET 3 OF 4 REV D1

LOC	DIST	REVISIONS					
		P.	LTR	DESCRIPTION	DATE	DWN	APVD
DY	-	-	-	SEE SHEET 1	-	-	-



SECTION F-F
 ROTATED 90°
 SCALE 2:1

<small>THIS DRAWING IS UNPUBLISHED. RELEASED FOR PUBLICATION. IT IS SUBJECT TO CHANGE FOR CORRECTING MANUFACTURING DEFICIENCIES. DIMENSIONS ARE GIVEN IN MILLIMETERS UNLESS OTHERWISE SPECIFIED.</small>		DWN: 25OCT2004 BEC/DESIGNER: B. D. KUHNLY APVD: B. D. KUHNLY	Tyco Electronics Corporation Singapore
DIMENSIONS: mm 	TOLERANCES UNLESS OTHERWISE SPECIFIED: 9 PLC ± 1 PLC ±0.01 5 PLC ±0.001 4 PLC ± ANGLES ±	NAME: SOCKET PACKAGING PRODUCT SPEC: 940/939 POSITION, SINGLE LEVER APPLICATION SPEC: ACTUATED, ZIF, MICRO PGA, LF SIZE: 114-13092 WEIGHT: 14.1g CUSTOMER DRAWING	Tyco Electronics Tyco Electronics Corporation Singapore NAME: SOCKET PACKAGING PRODUCT SPEC: 940/939 POSITION, SINGLE LEVER APPLICATION SPEC: ACTUATED, ZIF, MICRO PGA, LF SIZE: 114-13092 WEIGHT: 14.1g CUSTOMER DRAWING
MATERIAL: -	FINISH: -	SCALE: 3:1	SHEET 4 OF 4