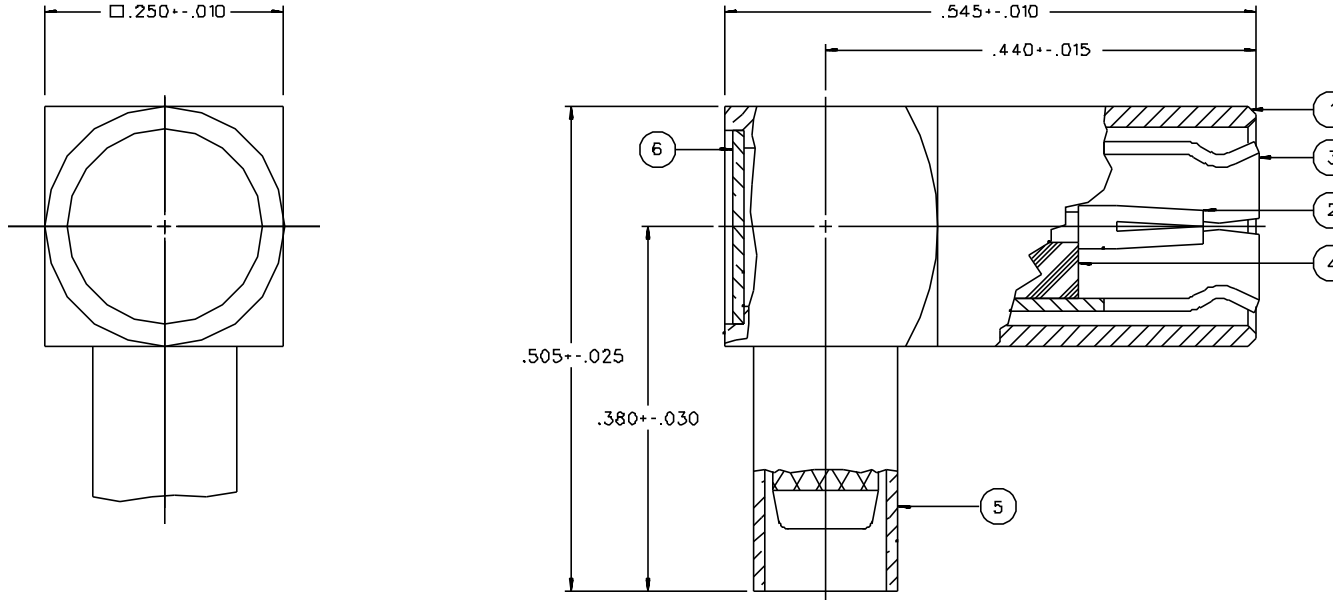


PART NUMBER	ITEM ① BODY	ITEM ② CONTACT	ITEM ③ INTERFACE	ITEM ④ INSULATOR	ITEM ⑤ CRIMP SLEEVE	ITEM ⑥ END CAP
131-B403-101	BRASS GOLD PL .00001 MIN OVER NICKEL PL .00005 MIN OVER COPPER PL .00005 MIN	BERYLLIUM COPPER GOLD PL .00003 MIN OVER NICKEL PL .00005 MIN OVER COPPER PL .00005 MIN	BERYLLIUM COPPER GOLD PL .00003 MIN OVER NICKEL PL .00005 MIN OVER COPPER PL .00005 MIN	TEFLON	COPPER GOLD PL .00001 MIN OVER NICKEL PL .00005 MIN OVER COPPER PL .00005 MIN	BRASS GOLD PL .00001 MIN OVER NICKEL PL .00005 MIN OVER COPPER PL .00005 MIN
131-B403-106	BRASS NICKEL PL .0001 MIN OVER COPPER PL .00005 MIN	BERYLLIUM COPPER GOLD PL .00003 MIN OVER NICKEL PL .00005 MIN OVER COPPER PL .00005 MIN	BERYLLIUM COPPER GOLD PL .00003 MIN OVER NICKEL PL .00005 MIN OVER COPPER PL .00005 MIN	TEFLON	COPPER NICKEL PL .0001 MIN OVER COPPER PL .00005 MIN	BRASS NICKEL PL .0001 MIN OVER COPPER PL .00005 MIN



NOTES:

1. SPECIFICATIONS:

IMPEDANCE: 75 OHMS
 FREQUENCY RANGE: 0-2 GHZ
 VSWR: 1.35 ± 0.04 F (F IN GHZ)
 WORKING VOLTAGE: 335 VRMS MAX AT SEA LEVEL
 DIELECTRIC WITHSTANDING VOLTAGE: 1000 VRMS MIN AT SEA LEVEL
 INSULATION RESISTANCE: 1000 MEGOHM MIN
 CONTACT RESISTANCE:
 CENTER CONTACT - INITIAL 12 MILLIOHM MAX, AFTER ENVIRONMENTAL 16 MILLIOHM MAX
 OUTER CONDUCTOR - GOLD PLATED INITIAL 1 MILLIOHM MAX, AFTER ENVIRONMENTAL 1.5 MILLIOHM MAX
 NICKEL PLATED INITIAL 2.5 MILLIOHM MAX, AFTER ENVIRONMENTAL 3.5 MILLIOHM MAX
 BRAID TO BODY - INITIAL 1 MILLIOHM MAX (GOLD PLATED), 2.5 MILLIOHM MAX (NICKEL PLATED) AFTER ENVIRONMENTAL NOT APPLICABLE
 CORONA LEVEL: 250 VOLTS MIN AT 70,000 FEET
 INSERTION LOSS: .60 DB MAX AT 1.5 GHZ
 RF LEAKAGE: -55 DB MIN AT 2 GHZ
 RF HIGH POTENTIAL WITHSTANDING VOLTAGE: 700 VRMS MIN AT 4 AND 7 MHZ

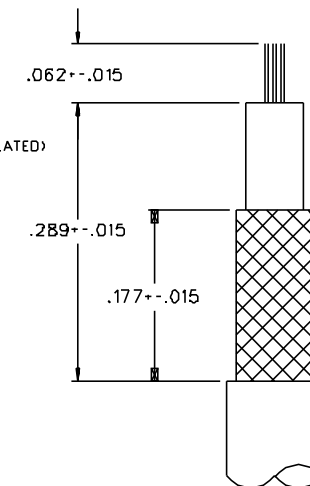
MECHANICAL:

ENGAGE/DISENGAGE FORCE: INITIAL 14 LBS MAX, AFTER DURABILITY 14 LBS MAX
 ENGAGEMENT/2 LBS MIN DISENGAGEMENT
 MATING TORQUE: NOT APPLICABLE
 COUPLING PROOF TORQUE: NOT APPLICABLE
 COUPLING NUT RETENTION: NOT APPLICABLE
 CONTACT RETENTION: 4 LBS MIN AXIAL FORCE
 CABLE ACCEPTABILITY: RG179/U, RG 1B7/U

CABLE HEX CRIMP SIZE: .12B
 CABLE RETENTION: 20 LBS MIN OR CABLE BREAKING STRENGTH
 DURABILITY: 500 CYCLES MIN

ENVIRONMENTAL:

(MEETS OR EXCEEDS THE APPLICABLE PARAGRAPH OF MIL-C-39012)
 THERMAL SHOCK: MIL-STD-202, METHOD 107, CONDITION B
 OPERATING TEMPERATURE: -65 DEG C TO 165 DEG C
 CORROSION: MIL-STD-202, METHOD 101, CONDITION B
 SHOCK: MIL-STD-202, METHOD 213, CONDITION B
 VIBRATION: MIL-STD-202, METHOD 204, CONDITION B



CABLE STRIP DIMENSIONS

DRAWING NO.		C - 131-8403-101/110	
0		REVISIONS	
ENGINEERING RELEASE			
1	3-2-91	R H B	3-15-91 ECO 40269
VERSION UPDATE			
2	5-7-91	R H B	5-10-91 ECO 40354
CHANGED: RF HIGH POT 4 AND 7 MHZ WAS 5 MHZ			
2a	4-21-94	R H B	5-10-94 ECN 42378
VERSION UPDATE			
2b	2-23-96	R H B	3-27-96 ECN 43945
CHANGED: UPDATED GRAPHICS			
3	11-21-96	R H B	ECN 44294
VERSION UPDATE			
* REVISION NUMBER FOLLOWED BY AN ALPHA *			
* CHARACTER INDICATES DRAWING CLARIF *			
* CATION OR PART NUMBER ADDITION ONLY *			
3a	5-29-98	R H B	ECN 45473
CHANGED: .505 ± .025 WAS .534 ± .025, .380 ± .030 WAS .400 ± .030, .289 ± .015 WAS 312 ± .015, .177 ± .015 WAS .219 ± .015			
DELETED: DIA .320 MAX ADDED: .250 ± .010			
4	3-2-00	R H B	ECN 46869

CUSTOMER DRAWING

THIS DRAWING TO BE ENTERPRETED PER ANSI Y 14.5M - 1982

"μSTATION"

COMPANY CONFIDENTIAL

TOLERANCE UNLESS OTHERWISE SPECIFIED		DRAWN BY	DATE	 Cinch Connectivity Solutions 299 Johnson Ave. Ste. 100 Waseca, MN 56093 1-800-247-8256
DECIMALS	mm	VET	12-27-9D	
.XX		CHECKED BY	DATE	TITLE
.XXX		VET	3-4-91	PLUG ASSEMBLY RA CABLED MINI-75 OHM SMB, RG 179
MATERIAL		APPROVED BY	DATE	CODE NO.
		VET	3-13-91	DRAWING NO.
FINISH		RELEASE DATE	3-15-91	C - 131-8403-101/110
		SCALE 10:1	U/N INCH	SHEET 2 OF 2