

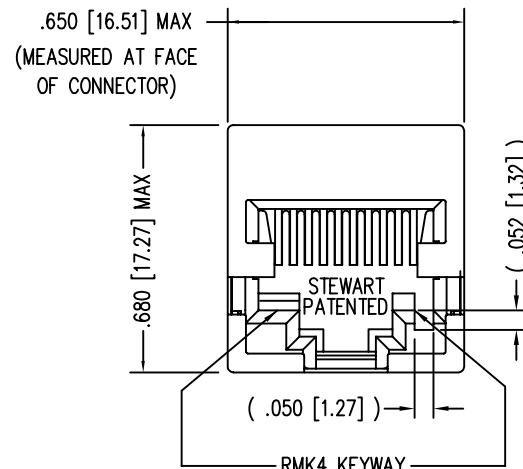
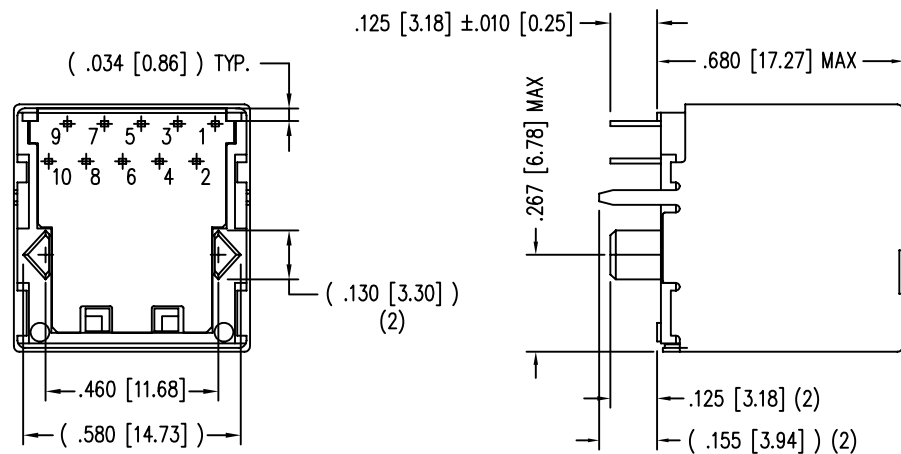
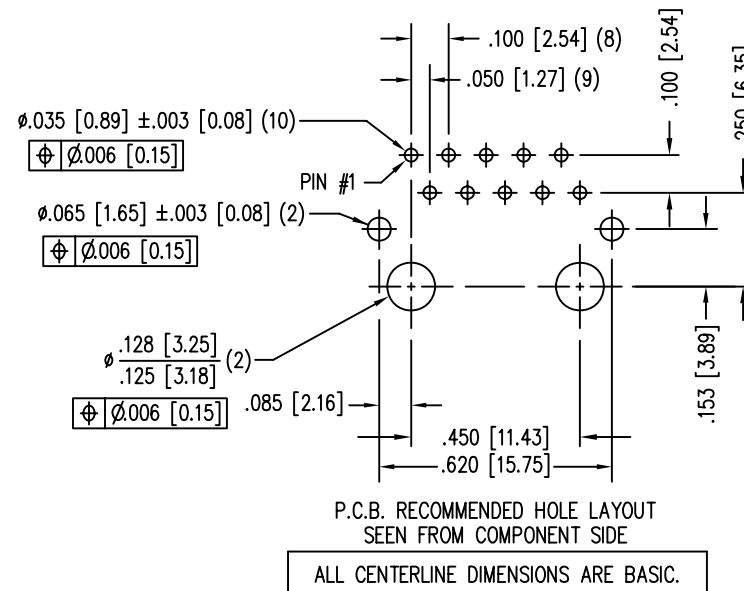
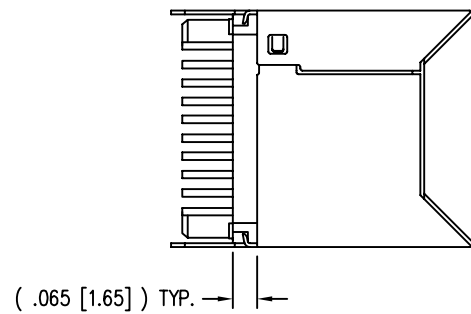
| DATE    | REV | ECN  | APP'D. BY |
|---------|-----|------|-----------|
| 5-20-09 | A1  | 8739 | TRM       |
| 6-17-09 | A2  | 8758 | TRM       |
| 8-6-10  | A3  | 9041 | TRM       |

B

A

B

A

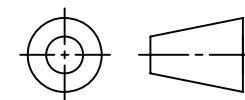


NOTES:

- CONNECTOR MATERIALS:  
HOUSING: THERMOPLASTIC UL94 V-0  
CONTACTS/SHIELD: COPPER ALLOY  
SHIELD PLATING: NICKEL  
CONTACT PLATING: SELECTIVE GOLD IN CONTACT AREA  
SEE CHART FOR PART NUMBER
- FOR PRODUCT SPECIFICATIONS SEE PRO26-01.
- RATED AT MAX. 260°C FOR MAX. 10 SECS.
- DIMENSIONS AND TOLERANCES COMPLY WITH FCC/CFR 47, PART 68.

|                                |                                      |
|--------------------------------|--------------------------------------|
| 30 MICRO-INCHES [0.76um]       | SS65100-058F                         |
| 30 MICRO-INCHES [0.76um]       | SS65100-057F PACKAGED ON TAPE & REEL |
| CONTACT PLATING IN MATING AREA | PART NUMBER                          |

THIRD ANGLE PROJECTION

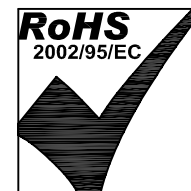


DO NOT SCALE DRAWING  
DRAWING IS SUBJECT TO CHANGE WITHOUT NOTICE

DIMENSIONS: INCHES [METRIC]

UNLESS OTHERWISE SPECIFIED  
TOLERANCES ARE ±.005 [0.13]  
ANGLES ARE ± 1°

SHEET NO. 1 OF 2



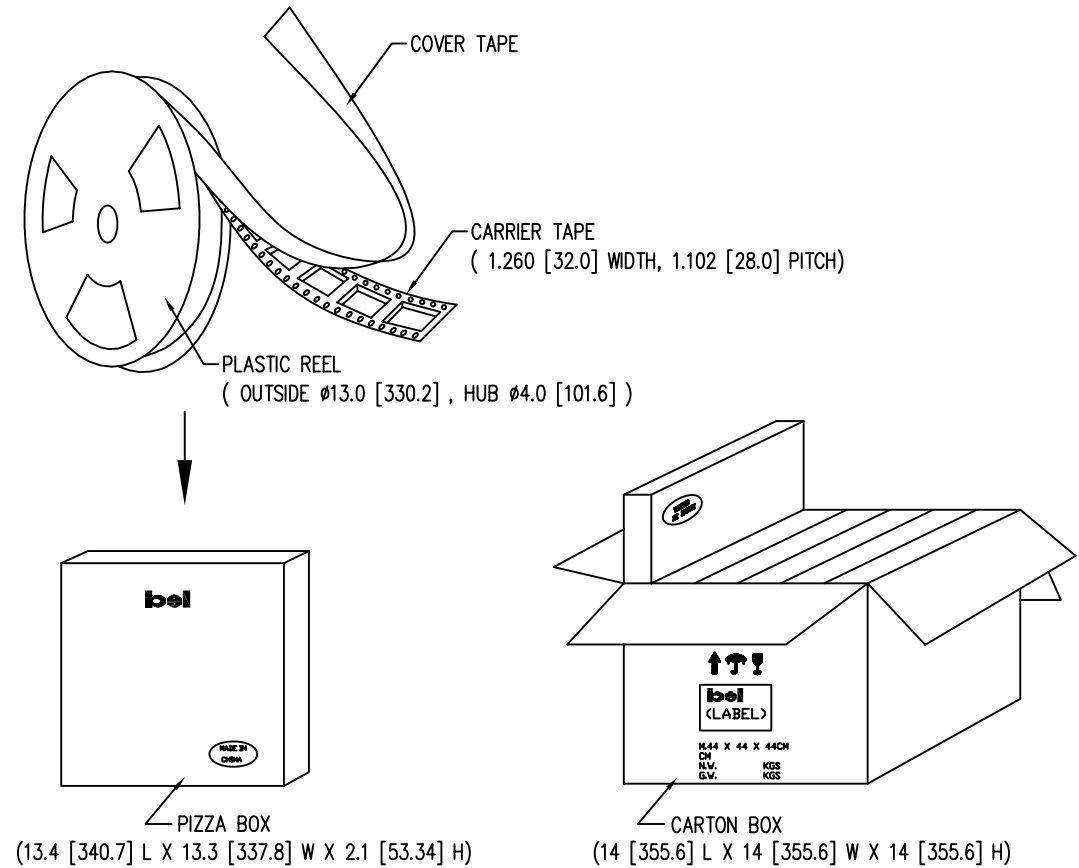
# Bel Stewart Connector

11118 Susquehanna Trail South  
Glen Rock, PA 17327-9199  
(717) 235-7512 Fax: (717) 235-7954 <http://www.stewartconnector.com>

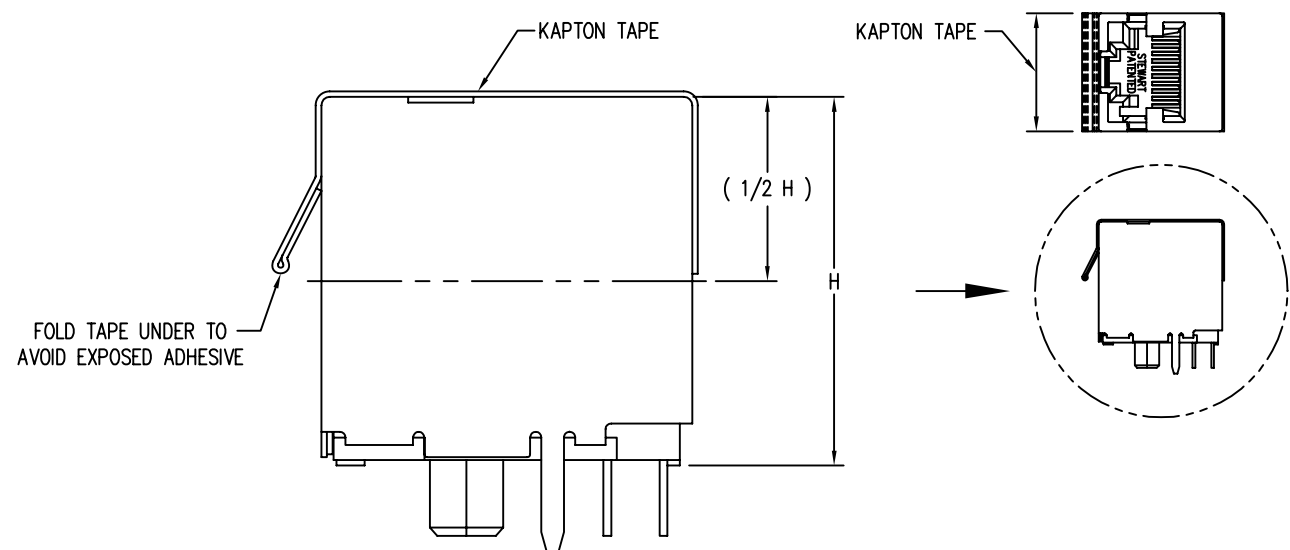
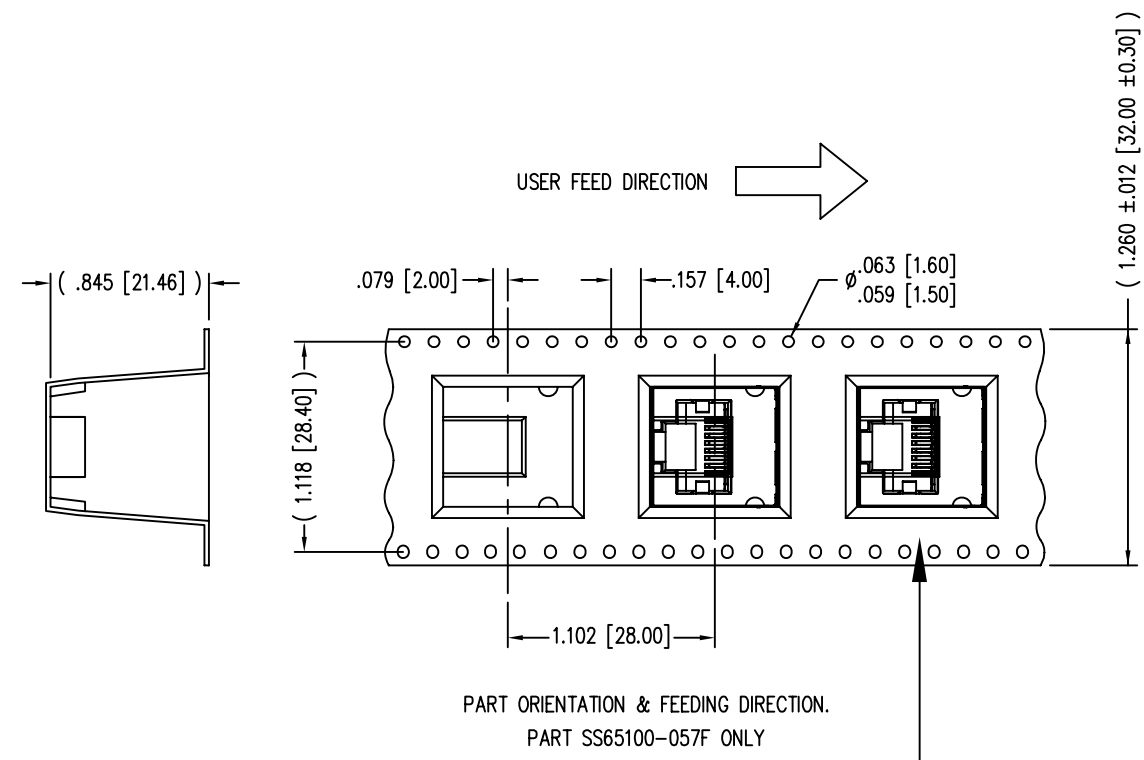
TITLE: TEN CONTACT, TEN POSITION, VERTICAL MOUNT SHIELDED JACK, NON-FLANGED, RMK4 KEYING OPTION, DIAMOND POSTS

THIS DRAWING AND THE SUBJECT MATTER SHOWN THEREON ARE CONFIDENTIAL AND THE PROPRIETARY PROPERTY OF BEL STEWART CONNECTOR AND SHALL NOT BE REPRODUCED, COPIED, OR USED IN ANY MANNER WITHOUT PRIOR WRITTEN CONSENT OF BEL STEWART CONNECTOR. THE SUBJECT MATTER MAY BE PATENTED OR A PATENT MAY BE PENDING.

|                   |              |
|-------------------|--------------|
| DRN BY: TRM       | DATE 3-11-08 |
| APPD BY: DHG      | DATE 3-11-08 |
| DWG NO. CT650137F | REV. A3      |



- NOTES:
1. LEAVE 24 INCHES OF COVER TAPE AND 13 EMPTY POCKETS AT LEADER.
  2. LEAVE 48 INCHES OF COVER TAPE AND 10 EMPTY POCKETS AT TRAILER.
  3. PACK 95 PIECES PER REEL.
  4. EACH PIZZA BOX CONTAINS ONE ( 1 ) REEL.  
( 95 PARTS IN EACH PIZZA BOX )
  5. EACH CARTON BOX CONTAINS SIX ( 6 ) PIZZA BOXES.  
( 570 PARTS IN EACH CARTON BOX )



REV. 6/3/05



|   |   |              |
|---|---|--------------|
| THIRD ANGLE PROJECTION  | <b>Bel Stewart Connector</b>  |              |
| DO NOT SCALE DRAWING<br>DRAWING IS SUBJECT TO CHANGE WITHOUT NOTICE             | 11118 Susquehanna Trail South<br>Glen Rock, PA 17327-9199<br>(717) 235-7512 Fax: (717) 235-7954 <a href="http://www.stewartconnector.com">http://www.stewartconnector.com</a> |              |
| DIMENSIONS: INCHES [METRIC]   | TITLE: TEN CONTACT, TEN POSITION, VERTICAL MOUNT SHIELDED JACK, NON-FLANGED, RMK4 KEYING OPTION, DIAMOND POSTS  |              |
| UNLESS OTHERWISE SPECIFIED TOLERANCES ARE $\pm$ .005 [0.13] ANGLES ARE $\pm$ 1° | DRN BY: TRM   | DATE 3-11-08 |
| SHEET NO. 2 OF 2  | APPD BY: DHG  | DATE 3-11-08 |
|   | DWG NO. CT650137F   | REV. A3      |