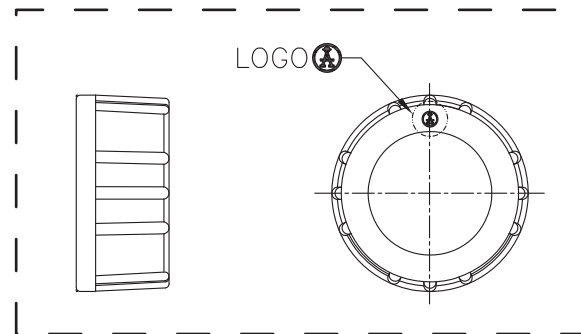
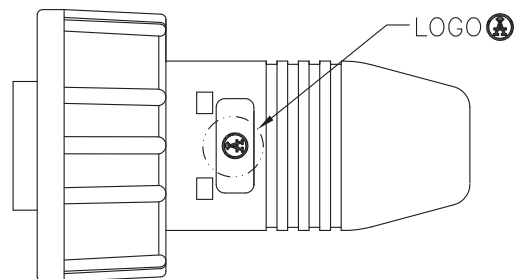


Conn.



Pin Out

Wire Color	Conn.
Black(24AWG)	4
Green(28AWG)	3
White(28AWG)	2
Red(24AWG)	1
Drain	Shield

Twist

Note:

- IP67 waterproof rated
- Connector: USB-A Male solder
- Cable: USB2.0 28AWG*1P+24AWG*2C+AL.My+D+B
UV Resistant, Black, OD=5.0mm

Unit: mm



Scale	Free				Date	Name
TOLERANCE					Drawn	06.12.11 Chappell
X.X	±0.25				Approved	
X.XX	±0.1					
X.XXX	±0.05					
DIM	TOL					
X.°	±1°					
X.X°	±X°	①	Revised part number/information	11.07.13		
Angle	TOL	①	Id.	Modification	Date	Name

Title
Waterproof USB2.0 cable assembly A type, Male to Open End, 1 Meter
ASSMANN WSW-No. A-KAB-USBA-MS-1M
Drawing-No.
rev01
Replace
Sheet 1/1

