

SUMMARY



Image is for illustrative purpose only

Wires

Low	0
High	0
Coax	1
Triax	0
Quad	0
Fiber	0
Fluidic	0

Download

[Request a quote](#)

[Catalog](#)

Series	00
Termination type	Coupler/adaptor/bridge
IP rating	50
Cable Ø	0.00 - 0.00 mm
Matching parts	
Status	
Alternative part	

TECHNICAL DETAILS

Mechanics

Shell Style/Model	SWH*: Fixed coupler, nut fixing, watertight or vacuum-tight
Keying	Circular (can rotate)
Housing Material	Brass (chrome plated) shell and collet nut, nickel plated brass latch sleeve and mid pieces
Cable Fixing	∅ 0 - 0 mm
Variant	

Performance

Configuration	0.25 : 1 Coax (50 Ohm)
Insulator	T: PTFE
Rated Current	4 Amps

Specifications

Contact Type: Coaxial 50 Ohm
Max. Matings: 500
Contact Retention: 18 N
Contact Dia.: 0.7 mm (0.03in)
Vtest: 2100 V (AC), 3000 V (DC)
□

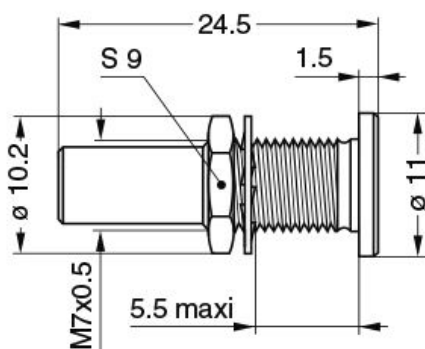
Impedance: 50 Ohm
VSWR: $1.09 + 0.11 * f/\text{GHz}$

Others

Endurance (Shell): 5000 mating cycles
Temp (min / max): $-20^{\circ}\text{C} / +100^{\circ}\text{C}$
F ret (min): 100 N
IP Rating: 50

DRAWINGS

Draws



Dimensions

	A	B	C	D	E	S1	e
mm.	24.5	11.0	10.2	1.5	5.5	9	M7x0.5
in.	0,96	0,43	0,40	0,06	0,22	0,35	

RECOMMENDED BY LEMO

Tools

Crimp Tool: DPC.91.701.V

Cables