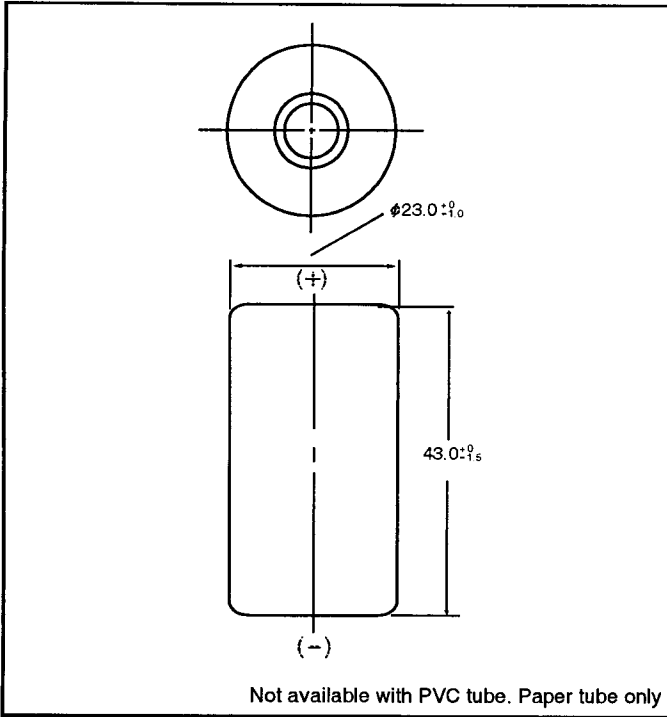


NICKEL CADMIUM BATTERIES: INDIVIDUAL DATA SHEET

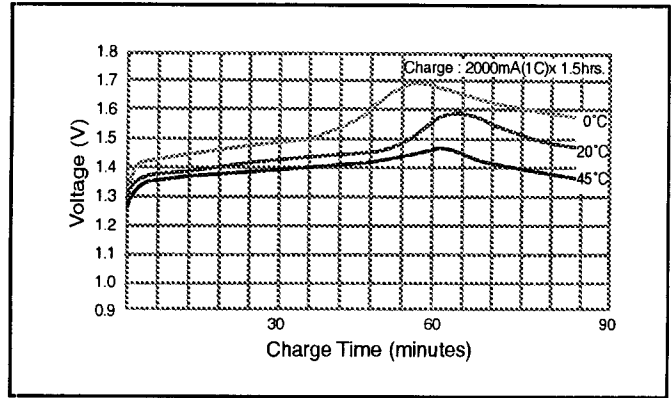
NEW

P-200SCP SC size (KR23/43) Type: P

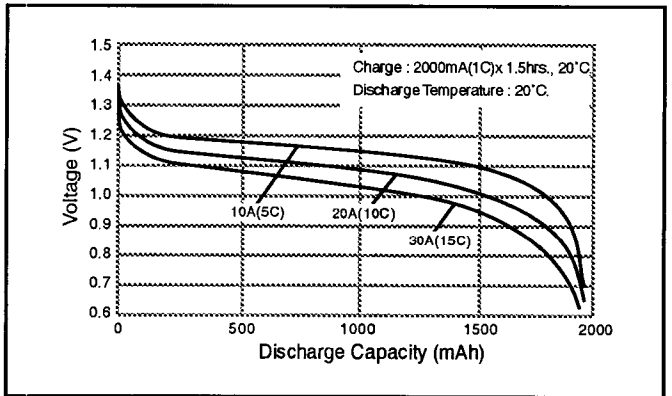
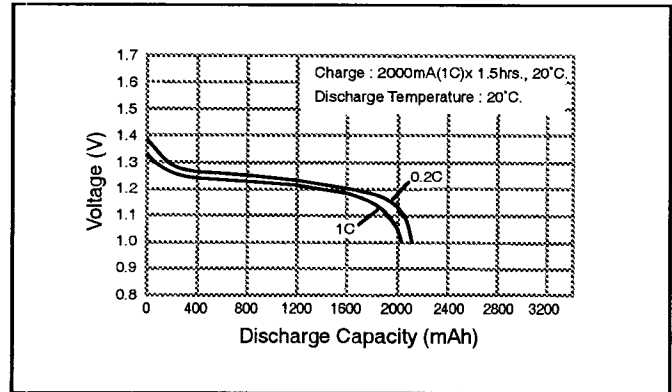
Dimensions (with tube) (mm)



Typical Charge Characteristics



Typical Discharge Characteristics



Specifications

	mm	inch
Diameter	23.0 +0 / -1.0	0.91 +0 / -0.04
Height	43.0 +0 / -1.5	1.69 +0 / -0.06
Approximate Weight	Grams	Ounces
	52g	1.83

Nominal Voltage		1.2V	
Discharge Capacity*	Average**	2100mAh	
	Rated (Min.)	2000mAh	
Approx. Internal impedance at 1000Hz at charged state.		5mΩ	
Charge	Standard	200mA (0.1C) x 16hrs.	
	Rapid***	2000mA (1C) x 1.5hrs.	
Ambient Temperature	Charge	Standard	°C
			°F
	Rapid	°C	°F
		°C	°F
Discharge	-20°C to 65°C		-4°F to 149°F
	-20°C to 35°C		-4°F to 95°F
Storage	< 2 years		-20°C to 35°C / -4°F to 95°F
	< 6 months		-20°C to 45°C / -4°F to 113°F

* 0.2C discharge capacity after charging at 0.1C for 16 hours.

** For reference only.

*** Refer to "Charge Methods for Ni-Cd Batteries" (pg 10).

Battery performance and cycle life are strongly affected by how they are used. In order to maximize battery safety, please consult Panasonic when determining charge / discharge specs, warning label contents and unit design.