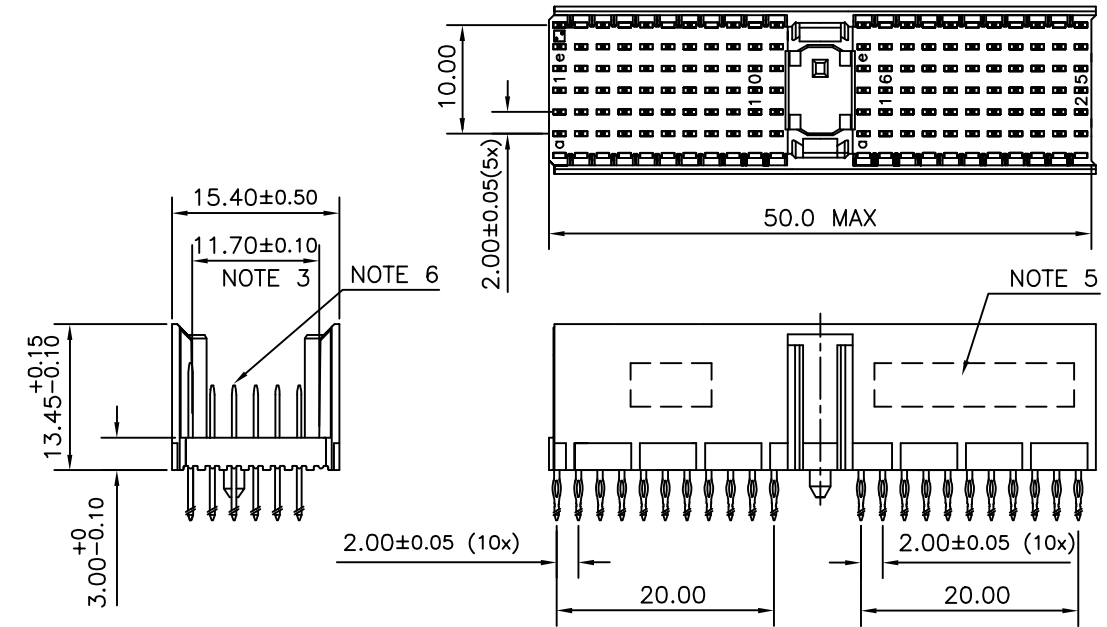


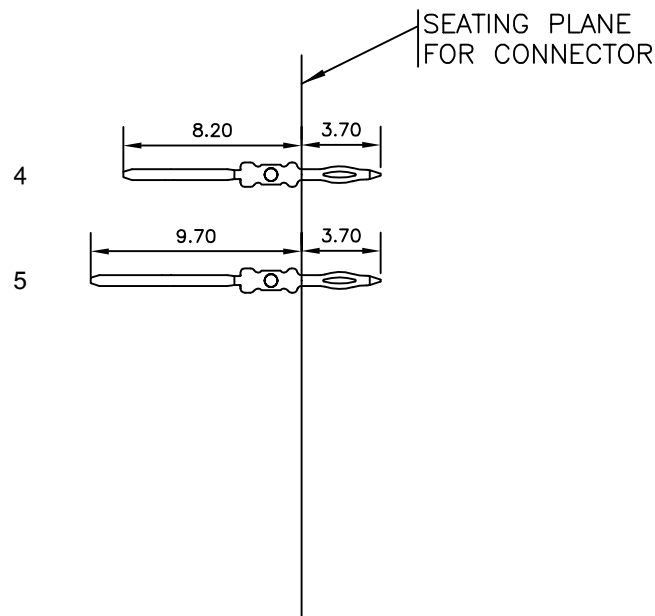
LOADING PATTERN MATING SIDE

f	5	0	5	0	5	0	5	0	5	0	5	0	5	0	5	0	5	0	5
e	4	4	4	4	4	4	4	4	4	4	4	4	4	4	4	4	4	4	4
d	4	4	4	4	4	4	4	4	4	4	4	4	4	4	4	4	4	4	4
c	4	4	4	5	5	5	5	5	4	4	4								
b	4	4	4	4	4	4	4	4	4	4	4	4	4	4	4	4	4	4	4
a	4	4	4	4	4	4	4	4	4	4	4	4	4	4	4	4	4	4	4
z	0	0	0	0	0	0	0	0	0	0	0	0	0	0	0	0	0	0	0
P	0		0		1		1		2		2		2		2		2		2
S	1		5		0		5		0		0		0		0		0		0

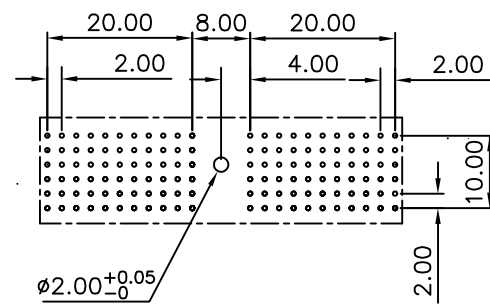
LOADED CONNECTOR ASSEMBLY
(FOR EXAMPLE)



CONTACT OVERVIEW



LAY-OUT P.C.B.-HOLE



HM2P07PDE3N5 LEAD FREE INDICATOR : LF = LEAD FREE (DIGIT 15 & 16)

PLATING CODE (DIGIT 13 AND 14)
(REF DRW NO. BS,C , 201844 , 003)

NOTES

- THIS PRODUCT IS CSA APPROVED.
 - THIS PRODUCT IS UL RECOGNIZED.
 - MEASURED AT THE BOTTOM.
 - MATERIAL CONTACT: PHOSPHORBRONZE
HOUSING: CREAM WHITE GLASS FILLED POLYESTER UL-94V0
 - CONNECTOR PRINTED WITH P/N AND DATE CODE.
 - FOR ACTUAL CONTACT LOADINGS, SEE LOADING PATTERN MATING SIDE.
 - SHAPE OF CONNECTOR HOUSING CAN ALTER DEPENDING ON PRODUCTION LOCATION
 - THE PRODUCT (LF) MEETS EUROPEAN UNION DIRECTIVES AND OTHER COUNTRY REGULATIONS AS DESCRIBED IN GS-22-008
 - FOR RECOMMENDED PTH DIMENSIONS REFER DRAWING : BS, A , 201572 , 001
- CATALOG NO: HM2P07PDE3N5----

mat'l. code SEE NOTE 4				surface ISO 1302 <input checked="" type="checkbox"/>		tolerance ISO 406 ISO 1101		projection 		product family MILLIPACS	
litr				ecn no		dr		date		title	
A				I04-0082		MINI		2004/09/18		MPACS 5+2R STR HDR PF CONN TYPE A	
B				I05-0189		MINI		2005/10/15			
C				I06-0090		MINI		2006/06/28			
								angles		linear	
								0°±1°		scale -	
						dr		MINI K VANDANATH		2004/09/18	
						enr		BIJU K PAUL		2004/09/18	
						chr		BIJU K PAUL		2006/06/28	
						appd		BIJU K PAUL		2006/06/28	
sheet index		revision sheet		C		1				sheet 1 of 1 size A3	
										type Product Customer Drawing	