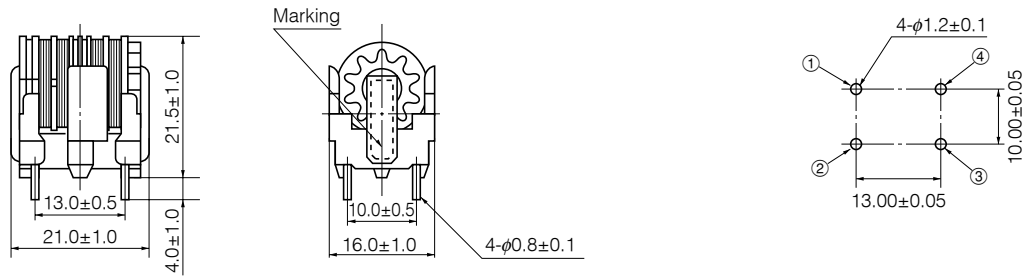


Series V

● Type 290

Dimensions in mm (not to scale)

Recommended PWB piercing plan



Examples

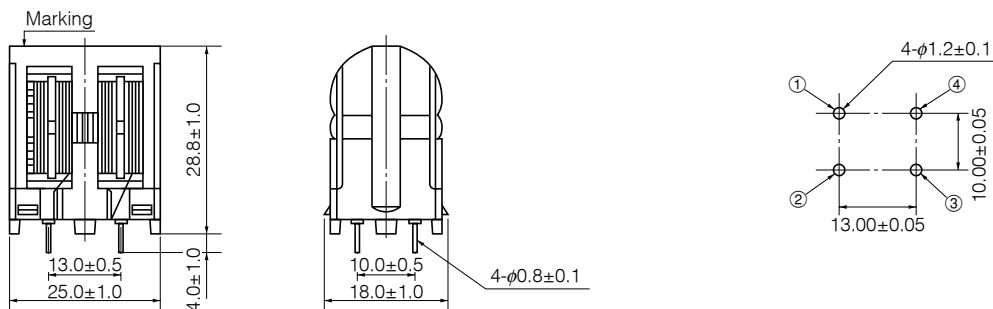
| Part No. | Marking | Inductance (mH)min. | *DCR(Ω) [at 20 °C] (Tol. ±20 %) | Current (A rms) max. | Part No. | Marking | Inductance (mH)min. | *DCR(Ω) [at 20 °C] (Tol. ±20 %) | Current (A rms) max. |
|------------|---------|---------------------|---------------------------------|----------------------|------------|---------|---------------------|---------------------------------|----------------------|
| ELF18D290H | 290H | 33.00 | 2.691 | 0.3 | ELF18D290R | 290R | 3.90 | 0.305 | 1.0 |
| ELF18D290C | 290C | 22.00 | 1.707 | 0.4 | ELF18D290S | 290S | 3.30 | 0.277 | 1.1 |
| ELF18D290A | 290A | 18.00 | 1.271 | 0.5 | ELF18D290E | 290E | 2.70 | 0.248 | 1.1 |
| ELF18D290G | 290G | 10.00 | 0.782 | 0.6 | ELF18D290T | 290T | 2.20 | 0.186 | 1.3 |
| ELF18D290L | 290L | 8.20 | 0.681 | 0.6 | ELF18D290V | 290V | 1.80 | 0.162 | 1.5 |
| ELF18D290P | 290P | 6.80 | 0.571 | 0.7 | ELF18D290D | 290D | 1.20 | 0.119 | 1.6 |
| ELF18D290M | 290M | 5.60 | 0.504 | 0.8 | ELF18D290B | 290B | 0.82 | 0.072 | 2.0 |

* DC Resistance

● Type 450

Dimensions in mm (not to scale)

Recommended PWB piercing plan



Examples

| Part No. | Marking | Inductance (mH)min. | *DCR(Ω) [at 20 °C] (Tol. ±20 %) | Current (A rms) max. | Part No. | Marking | Inductance (mH)min. | *DCR(Ω) [at 20 °C] (Tol. ±20 %) | Current (A rms) max. |
|------------|---------|---------------------|---------------------------------|----------------------|------------|---------|---------------------|---------------------------------|----------------------|
| ELF18D450Q | ELF450Q | 56.0 | 1.795 | 0.4 | ELF18D450D | ELF450D | 5.6 | 0.191 | 1.4 |
| ELF18D450H | ELF450H | 39.0 | 1.332 | 0.5 | ELF18D450K | ELF450K | 3.9 | 0.133 | 1.8 |
| ELF18D450B | ELF450B | 18.0 | 0.655 | 0.8 | ELF18D450A | ELF450A | 2.7 | 0.110 | 2.0 |
| ELF18D450J | ELF450J | 10.0 | 0.384 | 1.0 | ELF18D450C | ELF450C | 2.2 | 0.084 | 2.2 |
| ELF18D450G | ELF450G | 8.2 | 0.274 | 1.1 | ELF18D450M | ELF450M | 1.2 | 0.043 | 3.0 |
| ELF18D450L | ELF450L | 6.8 | 0.253 | 1.2 | | | | | |

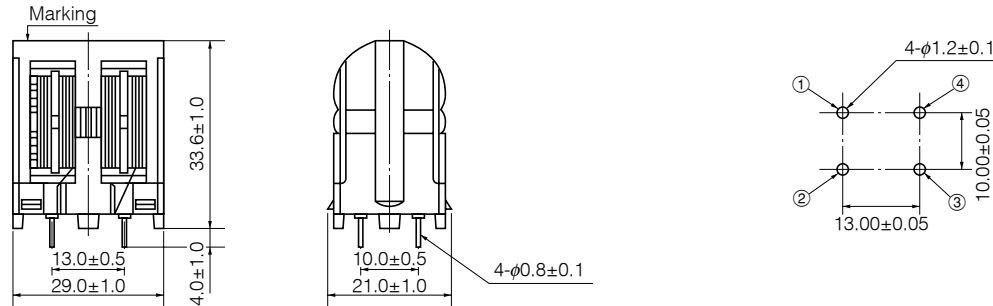
* DC Resistance

Series V

● Type 650

Dimensions in mm (not to scale)

Recommended PWB piercing plan



Examples

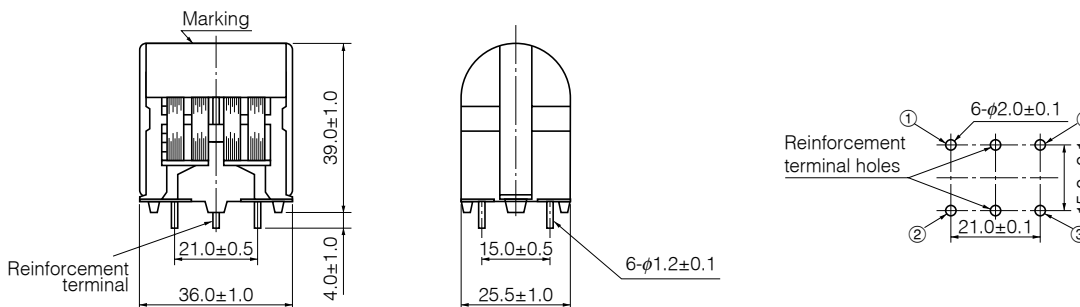
| Part No. | Marking | Inductance (mH)min. | *DCR(Ω) [at 20 °C] (Tol. ±20 %) | Current (A rms) max. | Part No. | Marking | Inductance (mH)min. | *DCR(Ω) [at 20 °C] (Tol. ±20 %) | Current (A rms) max. |
|------------|---------|---------------------|---------------------------------|----------------------|------------|---------|---------------------|---------------------------------|----------------------|
| ELF18D650U | ELF650U | 47.0 | 1.212 | 0.7 | ELF18D656S | ELF656S | 68.0 | 1.294 | 0.6 |
| ELF18D650H | ELF650H | 33.0 | 0.806 | 0.8 | ELF18D656V | ELF656V | 27.0 | 0.515 | 1.0 |
| ELF18D650D | ELF650D | 15.0 | 0.411 | 1.1 | ELF18D656J | ELF656J | 12.0 | 0.225 | 1.6 |
| ELF18D650J | ELF650J | 12.0 | 0.309 | 1.3 | ELF18D656K | ELF656K | 6.8 | 0.147 | 2.0 |
| ELF18D650W | ELF650W | 10.0 | 0.274 | 1.4 | ELF18D656X | ELF656X | 5.6 | 0.111 | 2.2 |
| ELF18D650C | ELF650C | 8.2 | 0.236 | 1.7 | ELF18D656Y | ELF656Y | 4.7 | 0.087 | 2.5 |
| ELF18D650B | ELF650B | 3.3 | 0.101 | 2.4 | ELF18D656Z | ELF656Z | 2.7 | 0.071 | 2.7 |
| ELF18D650G | ELF650G | 1.8 | 0.062 | 2.8 | ELF18D666A | ELF666A | 2.2 | 0.058 | 2.8 |
| ELF18D650M | ELF650M | 1.5 | 0.058 | 3.1 | | | | | |

* DC Resistance

● Type 850

Dimensions in mm (not to scale)

Recommended PWB piercing plan



Examples

| Part No. | Marking | Inductance (mH)min. | *DCR(Ω) [at 20 °C] (Tol. ±20 %) | Current (A rms) max. | Part No. | Marking | Inductance (mH)min. | *DCR(Ω) [at 20 °C] (Tol. ±20 %) | Current (A rms) max. |
|------------|---------|---------------------|---------------------------------|----------------------|------------|---------|---------------------|---------------------------------|----------------------|
| ELF18D850R | ELF850R | 82.0 | 0.892 | 0.8 | ELF18D850W | ELF850W | 10.0 | 0.124 | 2.5 |
| ELF18D850T | ELF850T | 56.0 | 0.608 | 1.0 | ELF18D850C | ELF850C | 8.2 | 0.097 | 3.0 |
| ELF18D850U | ELF850U | 47.0 | 0.469 | 1.2 | ELF18D850X | ELF850X | 5.6 | 0.065 | 3.4 |
| ELF18D850H | ELF850H | 33.0 | 0.327 | 1.4 | ELF18D850Y | ELF850Y | 4.7 | 0.060 | 3.5 |
| ELF18D850Z | ELF850Z | 27.0 | 0.274 | 1.5 | ELF18D850P | ELF850P | 3.9 | 0.052 | 3.7 |
| ELF18D860C | ELF860C | 22.0 | 0.237 | 1.8 | ELF18D850B | ELF850B | 3.3 | 0.041 | 4.2 |
| ELF18D850Q | ELF850Q | 18.0 | 0.228 | 1.9 | ELF18D860B | ELF860B | 2.7 | 0.031 | 4.5 |
| ELF18D850D | ELF850D | 15.0 | 0.161 | 2.0 | ELF18D850M | ELF850M | 1.5 | 0.028 | 5.0 |

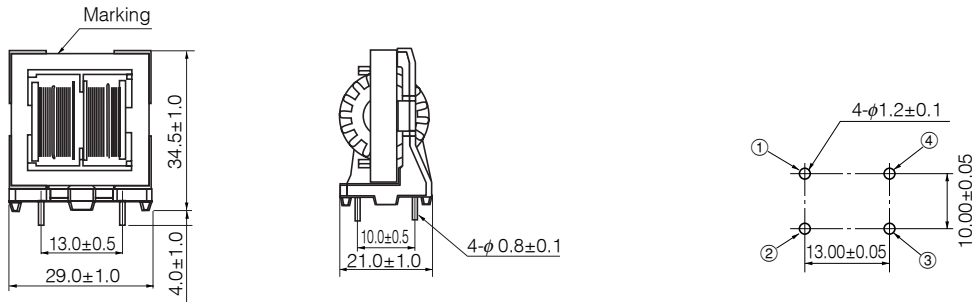
* DC Resistance

Series V

● Type 21V

Dimensions in mm (not to scale)

Recommended PWB piercing plan



Examples

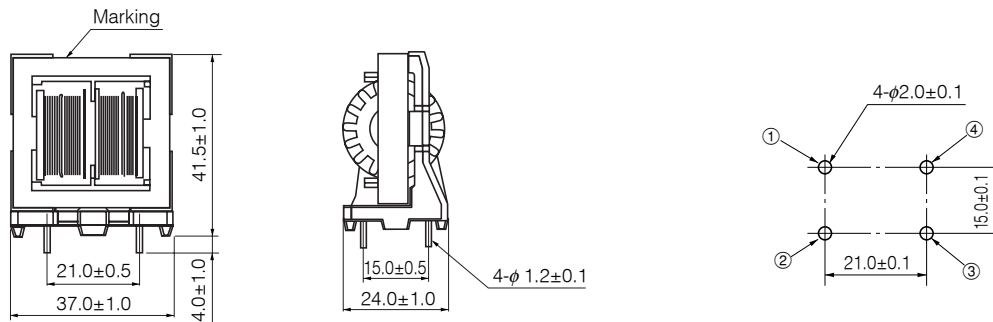
| Part No. | Marking | Inductance (mH)min. | *DCR(Ω) [at 20 °C] (Tol. ±20 %) | Current (A rms) max. | Part No. | Marking | Inductance (mH)min. | *DCR(Ω) [at 20 °C] (Tol. ±20 %) | Current (A rms) max. |
|------------|---------|---------------------|---------------------------------|----------------------|------------|---------|---------------------|---------------------------------|----------------------|
| ELF21V006A | 683 06A | 68.0 | 1.294 | 0.6 | ELF21V018A | 822 18A | 8.2 | 0.155 | 1.8 |
| ELF21V007A | 563 07A | 56.0 | 1.212 | 0.7 | ELF21V020A | 682 20A | 6.8 | 0.147 | 2.0 |
| ELF21V008A | 333 08A | 33.0 | 0.707 | 0.8 | ELF21V022A | 562 22A | 5.6 | 0.111 | 2.2 |
| ELF21V010A | 273 10A | 27.0 | 0.515 | 1.0 | ELF21V025A | 452 25A | 4.5 | 0.087 | 2.5 |
| ELF21V012A | 183 12A | 18.0 | 0.331 | 1.2 | ELF21V027A | 272 27A | 2.7 | 0.071 | 2.7 |
| ELF21V013A | 153 13A | 15.0 | 0.309 | 1.3 | ELF21V030A | 222 30A | 2.2 | 0.058 | 3.0 |
| ELF21V016A | 123 16A | 12.0 | 0.226 | 1.6 | | | | | |

* DC Resistance

● Type 24V

Dimensions in mm (not to scale)

Recommended PWB piercing plan



Examples

| Part No. | Marking | Inductance (mH)min. | *DCR(Ω) [at 20 °C] (Tol. ±20 %) | Current (A rms) max. | Part No. | Marking | Inductance (mH)min. | *DCR(Ω) [at 20 °C] (Tol. ±20 %) | Current (A rms) max. |
|------------|---------|---------------------|---------------------------------|----------------------|------------|----------|---------------------|---------------------------------|----------------------|
| ELF24V008A | 823 08A | 82.00 | 0.892 | 0.8 | ELF24V034A | 562 34A | 5.60 | 0.065 | 3.4 |
| ELF24V010A | 563 10A | 56.00 | 0.608 | 1.0 | ELF24V035A | 472 35A | 4.70 | 0.060 | 3.5 |
| ELF24V012A | 473 12A | 47.00 | 0.469 | 1.2 | ELF24V037A | 392 37A | 3.90 | 0.052 | 3.7 |
| ELF24V014A | 333 14A | 33.00 | 0.327 | 1.4 | ELF24V042A | 332 42A | 3.30 | 0.041 | 4.2 |
| ELF24V015A | 273 15A | 27.00 | 0.274 | 1.5 | ELF24V045A | 272 45A | 2.70 | 0.031 | 4.5 |
| ELF24V018A | 223 18A | 22.00 | 0.237 | 1.8 | ELF24V050A | 152 50A | 1.50 | 0.028 | 5.0 |
| ELF24V019A | 183 19A | 18.00 | 0.228 | 1.9 | ELF24V070A | 801 70A | 0.80 | 0.016 | 7.0 |
| ELF24V020A | 153 20A | 15.00 | 0.161 | 2.0 | ELF24V080A | 401 80A | 0.40 | 0.015max. | 8.0 |
| ELF24V025A | 103 25A | 10.00 | 0.124 | 2.5 | ELF24V090A | 261 90A | 0.26 | 0.012max. | 9.0 |
| ELF24V028A | 902 28A | 9.00 | 0.100 | 2.8 | ELF24V100A | 151 100A | 0.15 | 0.0085max. | 10.0 |
| ELF24V030A | 822 30A | 8.20 | 0.090 | 3.0 | | | | | |

* DC Resistance