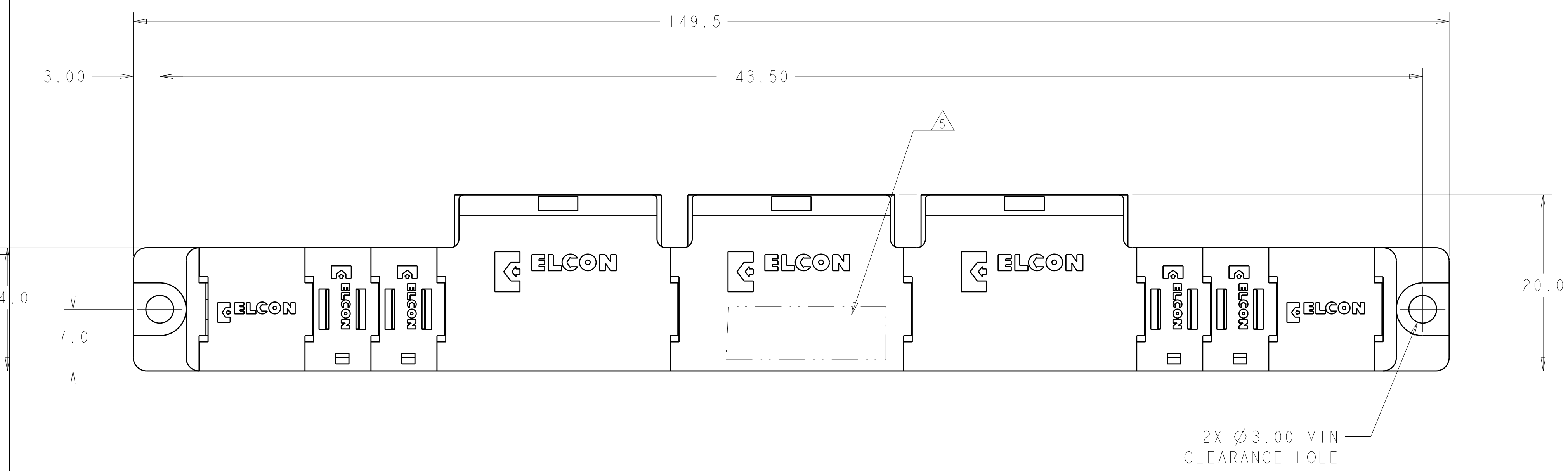


| LOC | DIST | REV | DATE | DWN | APVD |
|-----|------|-----|-----------|-----|------|
| GP | 00 | A | 02SEP2009 | RG | MS |

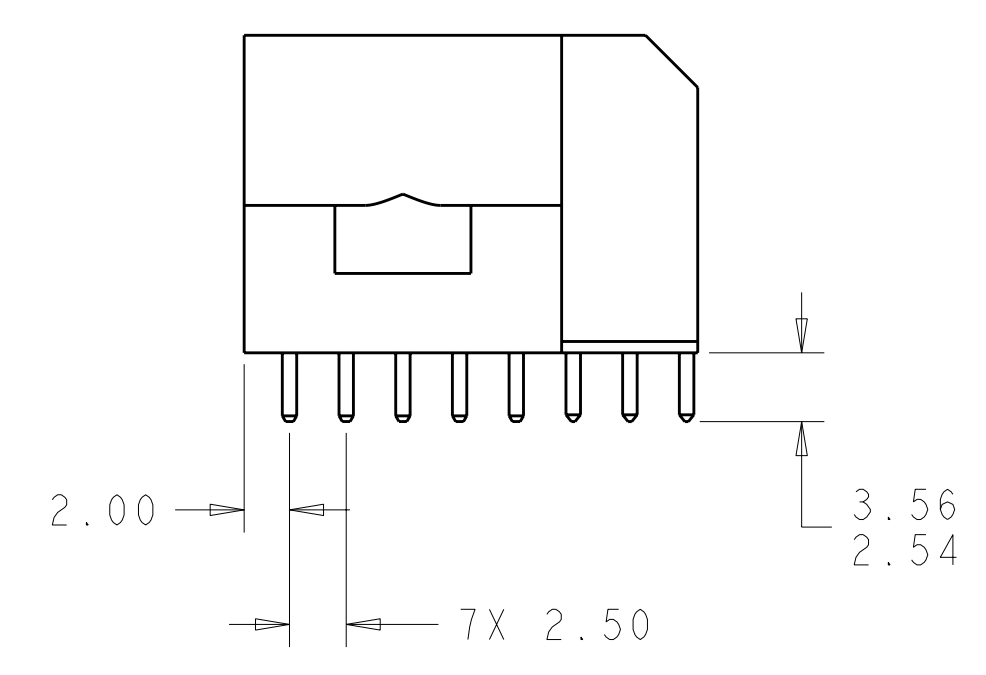
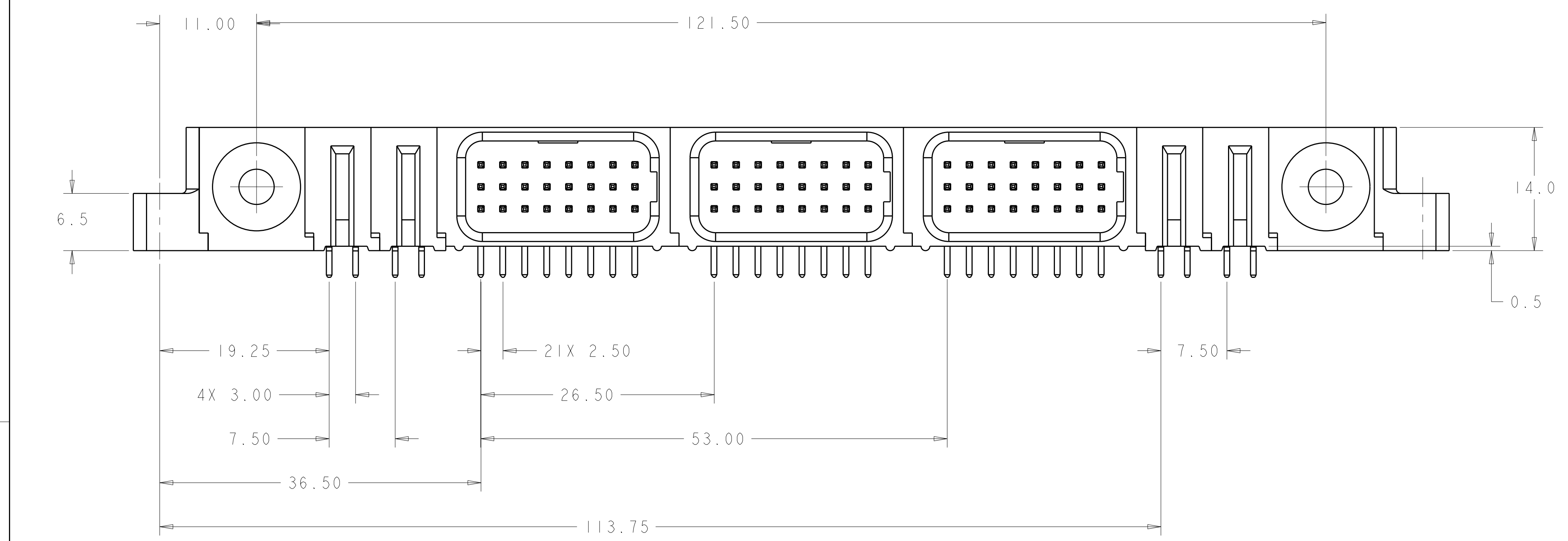


- PART NUMBER CHANGES AND OR DESIGN CHANGES AFFECTING ITEM INTERCHANGEABILITY REQUIRE PRIOR TYCO ELECTRONICS APPROVAL AND AUTHORIZATION BY REVISION TO THIS DRAWING.
- MATERIAL:
 INSULATORS - THERMOPLASTIC, GLASS REINFORCED, COLOR: BLACK, UL94V-0 FLAMMABILITY RATED.
 POWER CONTACTS - PHOSPHOR BRONZE ALLOY, COPPER ALLOY
 SOLDER SIGNAL PINS-BRASS ALLOY
 CROWN BAND-BERYLLIUM COPPER ALLOY
- FINISH:
 CONTACTS - GOLD PLATE 0.76µm MIN. THK., OVER NICKEL 1.27µm MIN. THK
 SOLDER TAILS, TIN 3.05µm MIN. THK. OVER NICKEL 1.27µm MIN THK.

- 4 MOUNTING FLANGES ACCEPT M3 OR #4-40 SCREWS, (USER SUPPLIED)
- 5 ITEMS PROVIDED TO THIS SPECIFICATION TO BE PERMANENTLY IDENTIFIED PER THE FOLLOWING IDENTIFIER LABEL

TYCO ELECTRONICS P/N DATE CODE YEAR WEEK
 XXXXXXXX-X XXXX 1 10

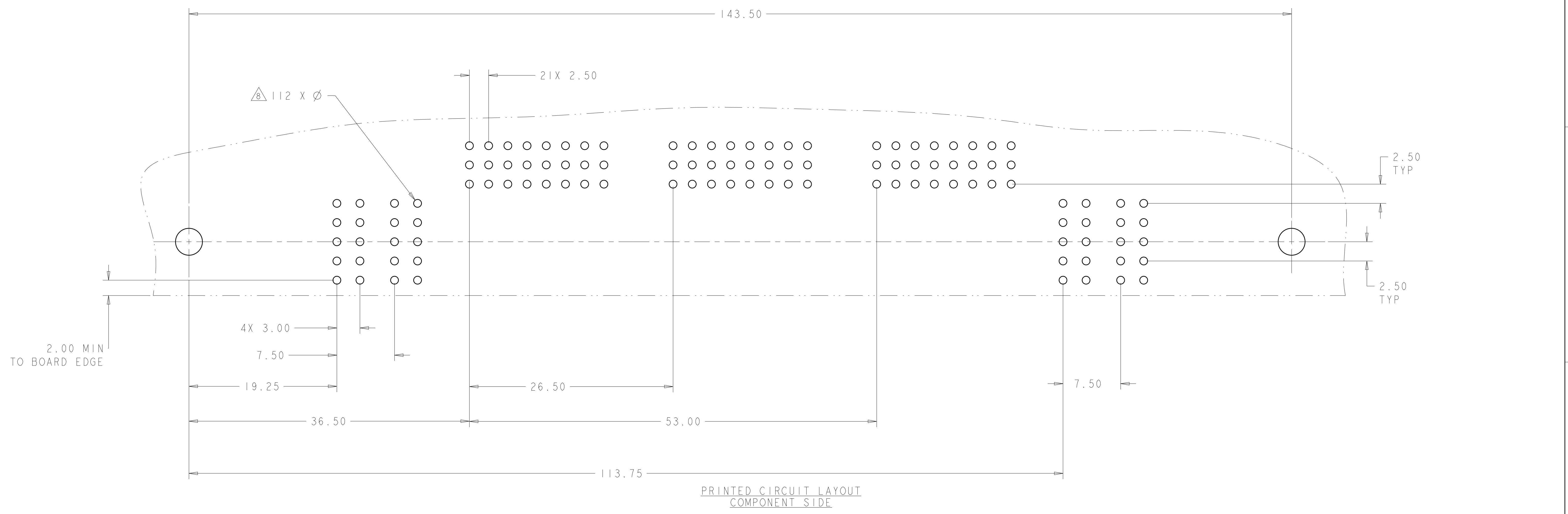
6. CONNECTOR MATES WITH PN 2085124-1



| | |
|-------------|-------------|
| AS SHOWN | 2085123-1 |
| DESCRIPTION | PART NUMBER |

| | | | |
|---|--|--|--|
| DIMENSIONS: mm TOLERANCES UNLESS OTHERWISE SPECIFIED: 9 PLC ±.5 1 PLC ±.5 2 PLC ±.25 3 PLC ±.5 4 PLC ±.5 ANGLES ±.5 FINISH: - | | DWN: C. ROHLER 29JAN2009 CHK: P. DAMATO 29JAN2009 APVD: P. DAMATO 29JAN2009 PRODUCT SPEC: - APPLICATION SPEC: - WEIGHT: - CUSTOMER DRAWING | Tyco Electronics Harrisburg, PA 17105-3608 NAME: PIN CONNECTOR, RIGHT ANGLE SOLDER TAILS SIZE: A 00779 C=2085123 SCALE: 3:1 SHEET 1 OF 3 REV A |
|---|--|--|--|

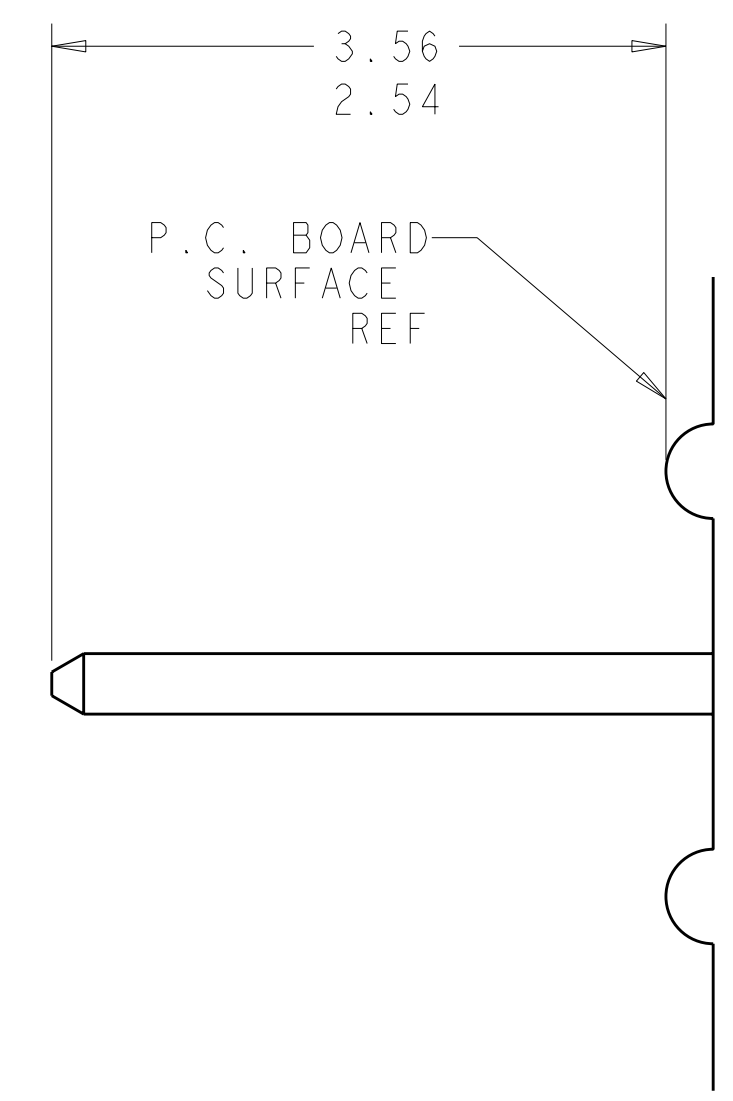
| LOC | DIST | REVISIONS | | | | | |
|-----|------|-----------|-----|-------------|------|-----|------|
| GP | 00 | P | LTB | DESCRIPTION | DATE | DWN | APVD |
| | | - | - | SEE SHEET 1 | - | - | - |



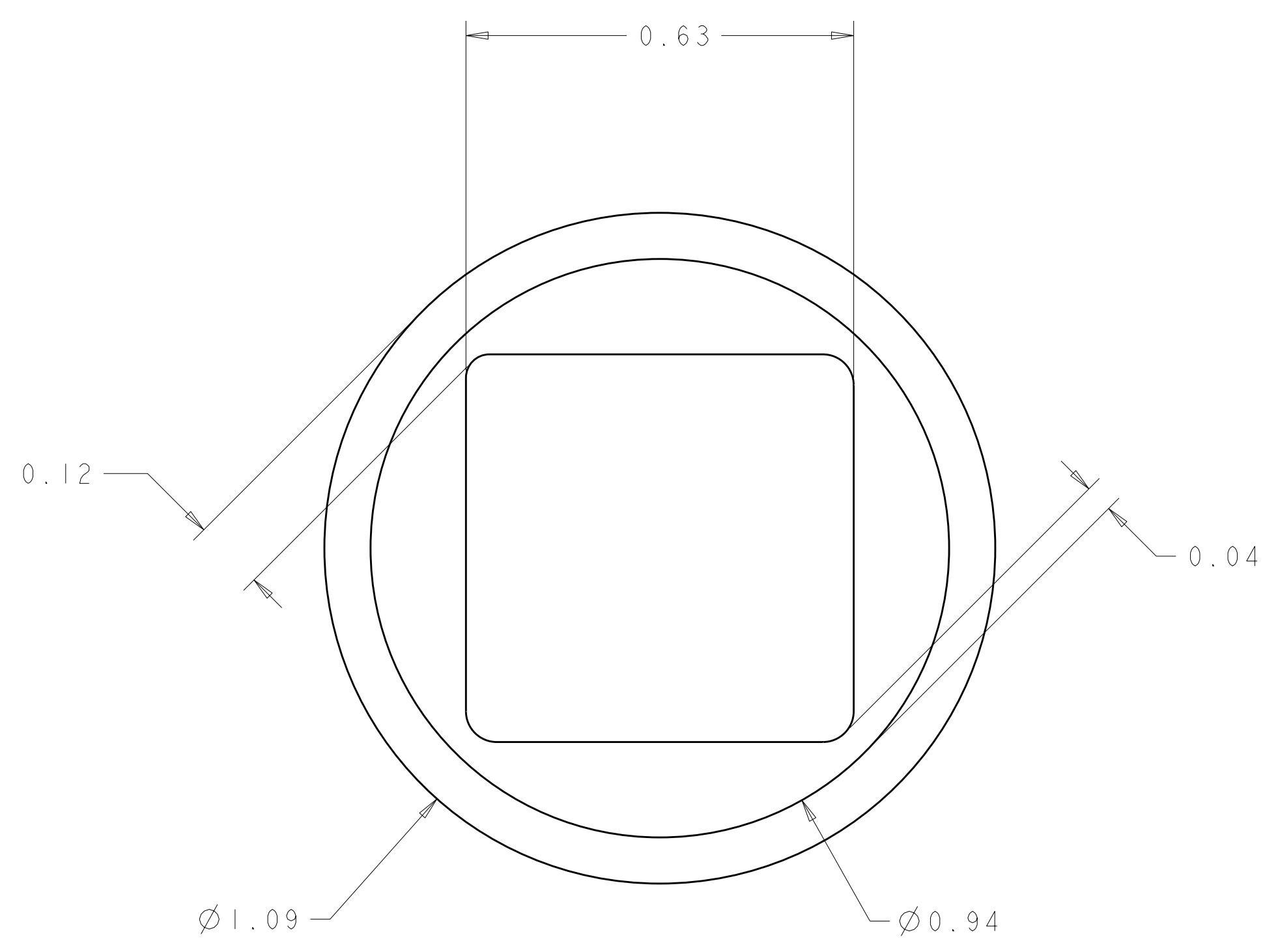
| CONNECTOR | EQUIVALENT CATALOG MODULE # | MODULE QTY | CONTACT QTY | SIZE NO. | MATING PIN | MAX. CURRENT (PER CONTACT) | CONTACT SPACING | VOLTAGE RATING |
|-----------|-----------------------------|------------|-------------|--------------------------|-------------|----------------------------|-----------------|----------------|
| PIN | FP104 | 4 | 4 | 8 | 1.25 X 7.00 | 35 amps | 7.5 | 250 |
| | FP302 | 3 | 72 | 22 | .64 SQ. | 3 amps | 2.50 | 125 VOLTS |
| | FP506 | 2 | - | RIGHT ANGLE GUIDE SOCKET | | | | |
| | FP500 | 1 | - | LEFT MOUNTING FLANGE | | | | |
| | FP501 | 1 | - | RIGHT MOUNTING FLANGE | | | | |

| | | | | | | | |
|-----------------------|--|--|--|--|--|---|--|
| DIMENSIONS: mm | | TOLERANCES UNLESS OTHERWISE SPECIFIED: 9 PLC ±.5 1 PLC ±.5 2 PLC ±.25 3 PLC ±.5 4 PLC ±.5 ANGLES ±.5 FINISH | | DWN C. ROHLER 29JAN2009 CHK P. DAMATO 29JAN2009 APVD P. DAMATO 29JAN2009 NAME PRODUCT SPEC APPLICATION SPEC WEIGHT CUSTOMER DRAWING | | Tyco Electronics Harrisburg, PA 17105-3608 PIN CONNECTOR, RIGHT ANGLE SOLDER TAILS SIZE CAGE CODE DRAWING NO. RESTRICTED TO A100779C=2085123 SCALE 3:1 SHEET 2 OF 3 REV A | |
|-----------------------|--|--|--|--|--|---|--|

| LOC | DIST | REVISIONS | | | | | |
|-----|------|-----------|-----|-------------|------|-----|------|
| GP | 00 | P | LTR | DESCRIPTION | DATE | DWN | APVD |
| - | - | - | - | SEE SHEET 1 | - | - | - |
| | | | | | | | |
| | | | | | | | |



7. SOLDER PIN DETAIL
 SCALE 10:1



8 SOLDER TERMINATION AREA
 SCALE 40:1
 RECOMMENDED PRINTED CIRCUIT SOLDER HOLE
 FINISHED HOLE: $\varnothing 1.02 \pm .08$
 DRILLED HOLE: $\varnothing 1.15 \pm .013$
 COPPER PLATE: .025 MIN.
 TIN PLATE: .008 MIN. (PER SURFACE)

| | | | |
|---|--|---|--|
| <small>THIS DRAWING IS UNPUBLISHED. RELEASED FOR PUBLICATION 20 © COPYRIGHT 20 BY TYCO ELECTRONICS CORPORATION. ALL RIGHTS RESERVED.</small> | | DWN C. ROHLER 29JAN2009 CHK P. DAMATO 29JAN2009 APVD P. DAMATO 29JAN2009 | Tyco Electronics Harrisburg, PA 17105-3608 |
| DIMENSIONS: mm | | TOLERANCES UNLESS OTHERWISE SPECIFIED: 0 PLC ±. 1 PLC ±.5 2 PLC ±.25 3 PLC ±. 4 PLC ±. ANGLES ± 5 FINISH | NAME PIN CONNECTOR, RIGHT ANGLE SOLDER TAILS SIZE CAGE CODE DRAWING NO A100779C-2085123 RESTRICTED TO |
| MATERIAL - | | WEIGHT - CUSTOMER DRAWING | SCALE 3:1 SHEET 3 OF 3 REV A |