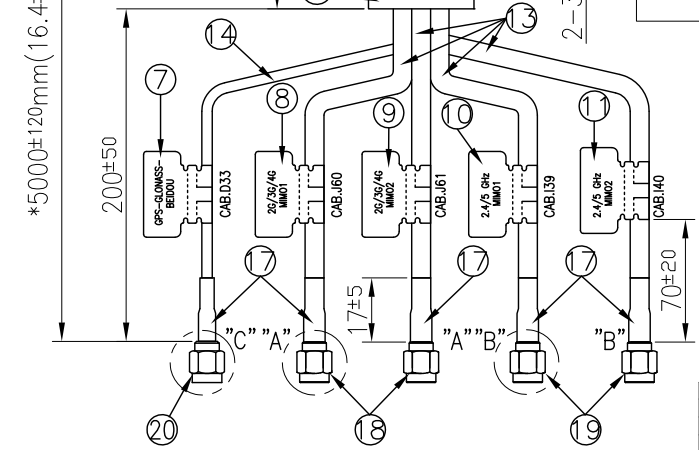
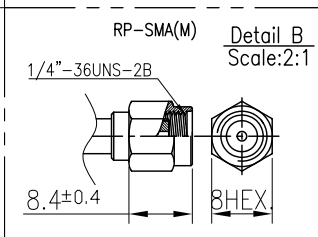
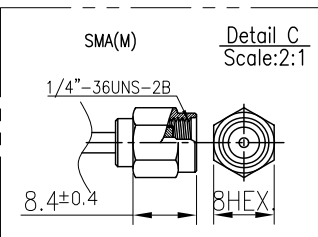
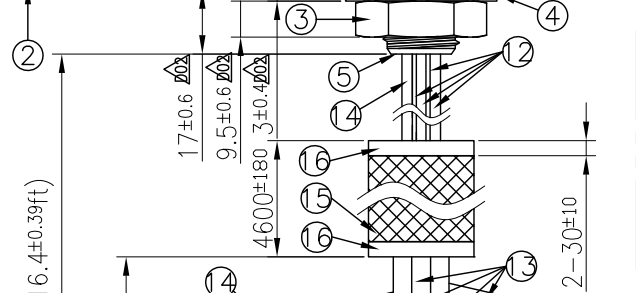
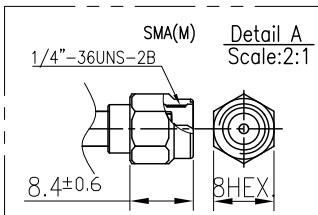
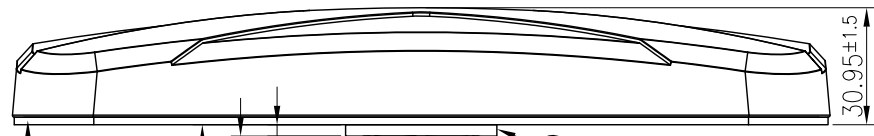
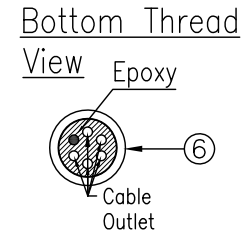
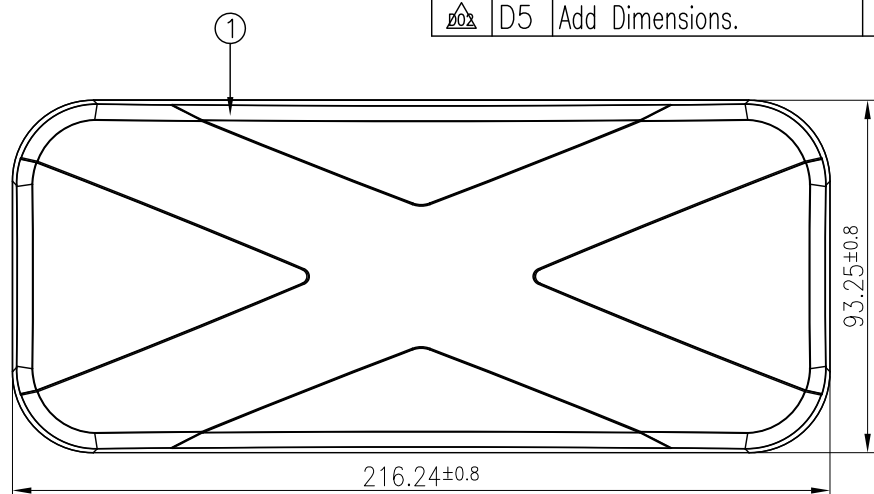


6	5	4	3	2	1		
ISO NO: EDW-15-8-xxxx	<Release>	REV	ZONE	DESCRIPTION	ENG	APPROVED	ISSUED DATE
		△	ALL	Initial Design	Haley	Wayne	2015/10/08
		△	D5	Add Dimensions.	Kim	Wayne	2016/01/13



Name	P/N	Material	Finish	QTY
1 Housing	000113K000066A	ABS+PC	Black	1
2 Closed Cell Foam and Adhesive Tape	001013K000039A	3M 9448+CR-4305	Black	1
3 Nut_M20x1.5Px10H Cut	000413E030061A	Steel	Ni Plated	1
4 Washer_Cut	000413E040061A	Steel	Ni Plated	1
5 Metal Base	000313K000060A	AL	Ni Plated	1
6 Cable Rubber	000713K000064A	Silicone Rubber	Black	1
7 GPS-GLOSS-BEIDOU Label	001014E020007A	Coated Paper	Orange	1
8 2G/3G/4G MIMO1 Label	001315I030000A	Coated Paper	Light Gray	1
9 2G/3G/4G MIMO2 Label	001315I030000A	Coated Paper	White	1
10 2.4/5 GHz MIMO1 Label	001315I030000A	Coated Paper	Dark Green	1
11 2.4/5 GHz MIMO2 Label	001315I030000A	Coated Paper	Green Yellow	1
12 RG316 Coaxial Cable	301615C000000A	FEP	Brown	4
13 CFD200 Coaxial Cable	301415C010000A	PVC	Black	4
14 RG174 Coaxial Cable	301315C000000A	PVC	Black	2
15 Centenary Braid	001313J000049A	BSPET	Black	1
16 Heat Shrink Tube	001313I000013A	PE With Glue	Black	2
17 Heat Shrink Tube	001315I020000A	PE	Black	5
18 SMA(M)ST	200211G010013A	SMA(M)ST	Au Plated	1
19 RP-SMA(M)ST	200212F000013A	RP-SMA(M)ST	Au Plated	2
20 SMA(M)ST	200212G000013A	SMA(M)ST	Au Plated	2

A	UNLESS OTHERWISE SPECIFIED TOLERANCES ON:	DATE: 2015/10/08	MAT'L:
	.XX± 0.5 .XX± 0.1	UNIT: mm	FINISH:
	X± 0.3 .XXX± 0.05	THIRD ANGLE PROJECTION	SCALE: 1/2
	APPROVED BY: Wayne	CHECKED BY: Aine/Paul	DRAWN BY: Haley

taoglas
antenna solutions TW Design Centre

This drawing and its inherent design concepts are property of Taoglas. Not to be copied or given to third parties without the written consent of Taoglas.

REV D02 A

TITLE. : Storm 5in1 (MA450.ALBICG.007 with Braided Assembly CAB.D33J60J61139140) (5M/16.4ft)

PART NO. : MA450.K.LBICG.003