

SUMMARY

Wires

Low	0
High	0
Coax	1
Triax	0
Quad	0
Fiber	0
Fluidic	0



Image is for illustrative purpose only

Download

[Request a quote](#)

[Catalog](#)

Series	3S
Termination type	Male solder
IP rating	50
Cable Ø	5.80 - 7.20 mm
Matching parts	ERA.3S.275.CTL
Status	
Alternative part	

TECHNICAL DETAILS

Mechanics

Shell Style/Model	FFA*: Straight plug, cable collet
Keying	Circular (can rotate), plug has male contact(s)
Housing Material	Brass (chrome plated) shell and collet nut, nickel plated brass latch sleeve and mid pieces
Cable Fixing	C72: 5.8 - 7.2 mm
Variant	

Performance

Configuration	3S.275 : 1 Coax (75 Ohm)
Insulator	T: PTFE
Rated Current	15 Amps

Specifications

Contact Type: Coaxial 75 Ohm (Solder)
Max. Matings: 1000
Contact Dia.: 2 mm (0.0787in)
Bucket Dia.: 1.8 mm (0.0708in)
Vtest: 2700 V (AC), 3900 V (DC)
Impedance: 75 Ohm

VSWR: $1.04 + 0.05 \cdot f/\text{GHz}$

Cable type: RG 213/U, RG 115 A/U, RG 11 A/U, RG 144/U, RG 165 /U

Others

Endurance (Shell): 5000 mating cycles

Temp (min / max): $-55^{\circ}\text{C} / +250^{\circ}\text{C}$

Humidity (max): $\leq 95\%$ [at $60^{\circ}\text{C} / 140^{\circ}\text{F}$]

Vibration: 15 g [10 Hz - 2000 Hz]

Shock Resistance: 100 g [6 ms]

Salt Spray Corrosion: >144 hr

Climatical Category: 50/175/21

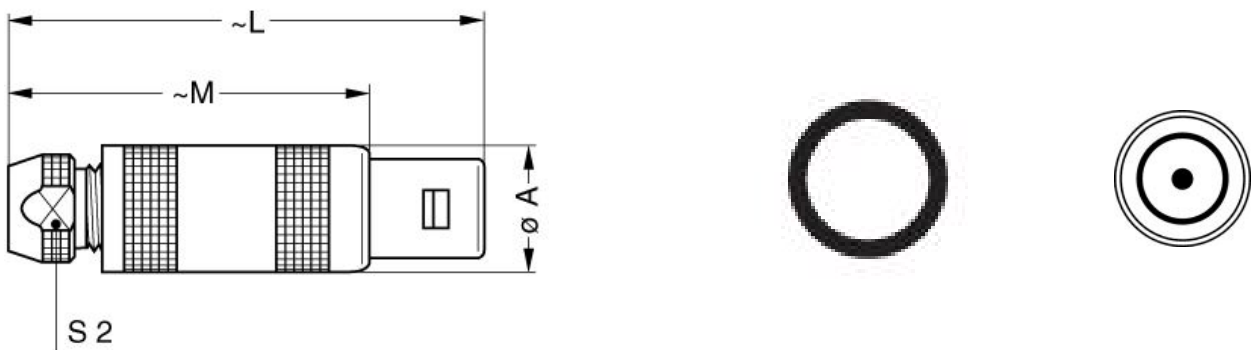
Shielding (min): 75 dB (10 MHz)

Shielding (min): 40 dB (1 GHz)

IP Rating: 50

DRAWINGS

Draws



Dimensions

	A	L	M	S2
mm.	17.8	61	46	14
in.	0,70	2,40	1,81	0,55

RECOMMENDED BY LEMO

Tools

Spanner wrench: MTZ.3S.500.014

