

MODEL:

PDUMV30

Metered Rackmount PDU



Low Voltage
Input/Output



24 Outlets



30A Max Capacity



2 Load Meters

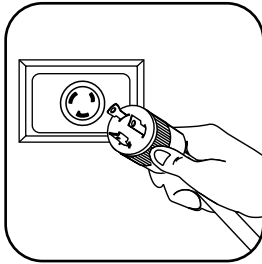


0U Rackmount

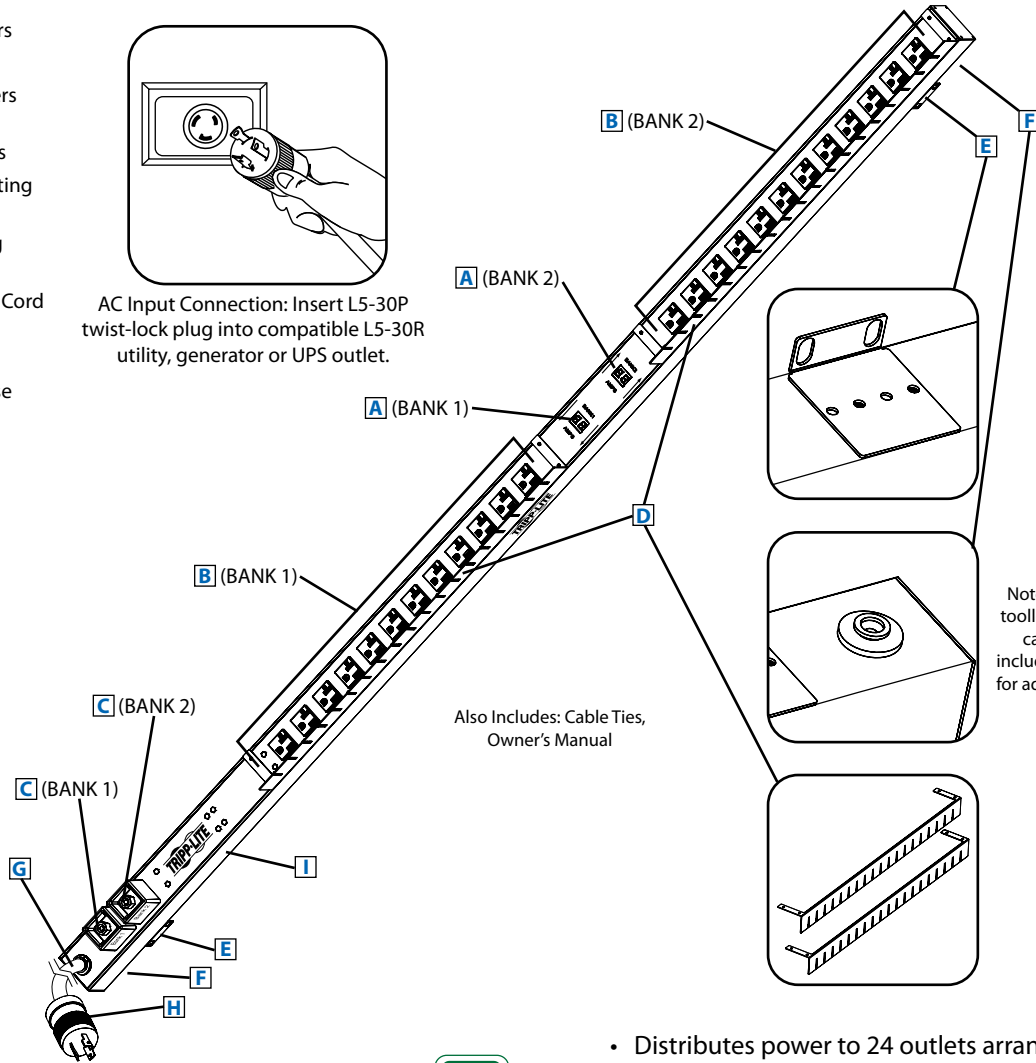


Toolless
Mounting Buttons

- A** Digital Load Meters
- B** 5-15/20R Outlets
- C** 20A Circuit Breakers
- D** Removable Cord Retention Brackets
- E** Removable Mounting Brackets
- F** Toolless Mounting Buttons
- G** 10 ft. Input Power Cord
- H** L5-30P Twist-Lock Input Plug
- I** Durable Metal Case



AC Input Connection: Insert L5-30P twist-lock plug into compatible L5-30R utility, generator or UPS outlet.



Note: Installed 17.67 mm toolless mounting buttons can be replaced with included 14.17 mm buttons for additional compatibility.

Specifications

Model	PDUMV30
Voltage	100-125V
Frequency	50/60 Hz
Maximum Capacity	30A
Agency-Derated Capacity	24A
Input Connector	L5-30P
Cord Length	10 ft.
Outlets	24 (5-15/20R)
Primary Mounting Option	0U (Vertical) Rackmount
Unit Weight & Dimensions	8.0 lb / 3.75 x 63.75 x 2.25 in.
<i>See next page for detailed unit measurements.</i>	
Certifications	Tested to UL 60950-1 (US & Canada), NOM (Mexico)

Tripp Lite has a policy of continuous improvement. Specifications are subject to change without notice.

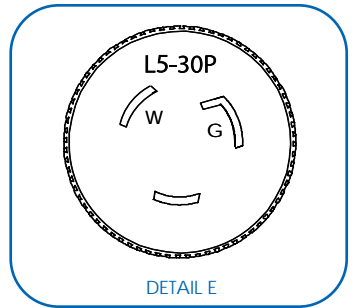
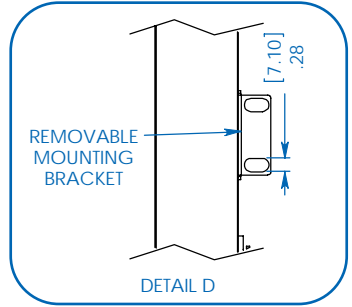
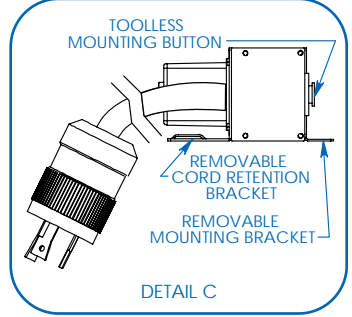
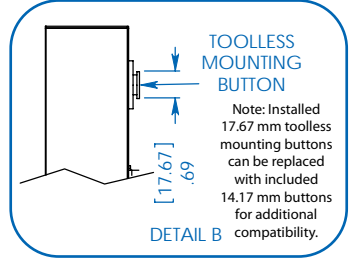
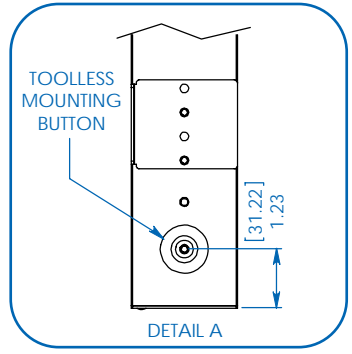
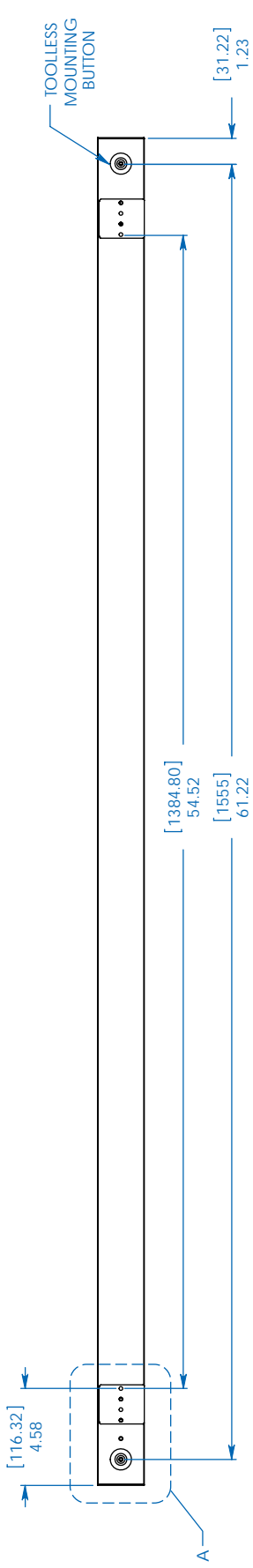
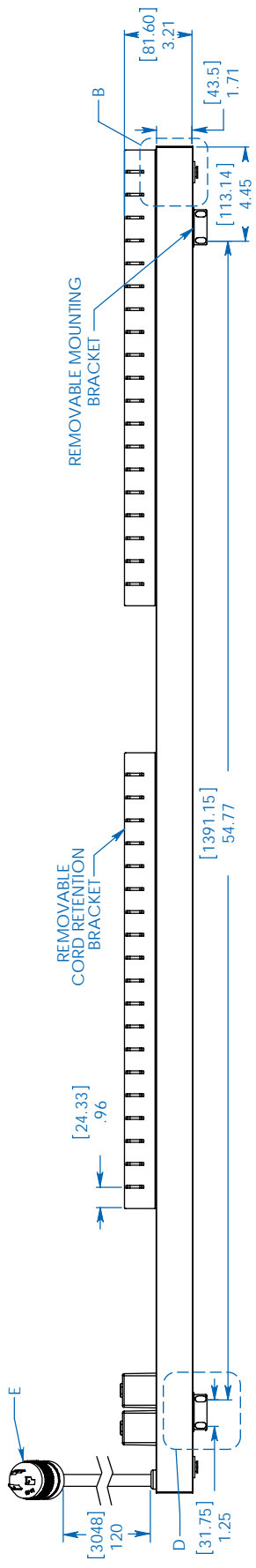
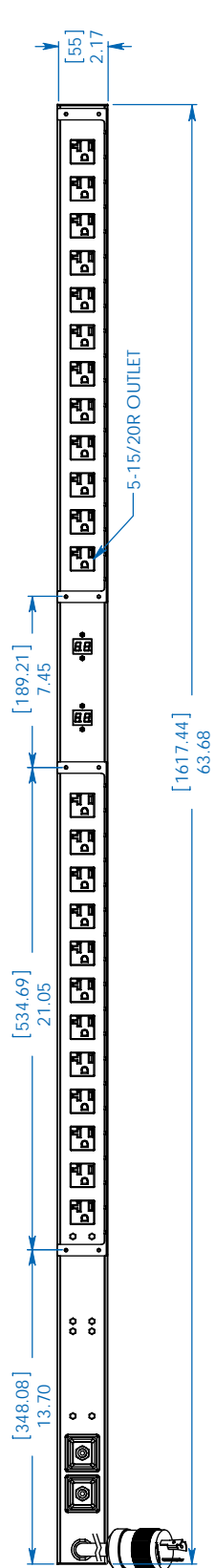


- Distributes power to 24 outlets arranged in two banks
- Displays total load for each outlet bank in real time
- Perfect for rackmount server, network and telecom applications

SEE NEXT PAGE FOR DETAILED UNIT MEASUREMENTS



1111 W. 35th Street
Chicago, IL 60609 USA
773.869.1234
www.tripplite.com



MODEL:
PDUMV30

TRIPP·LITE

1111 W. 35th Street
Chicago, IL 60609 USA
773.869.1234
www.triplite.com

Dimensions: [mm] INCHES

Tripp Lite has a policy of continuous improvement. Specifications are subject to change without notice.