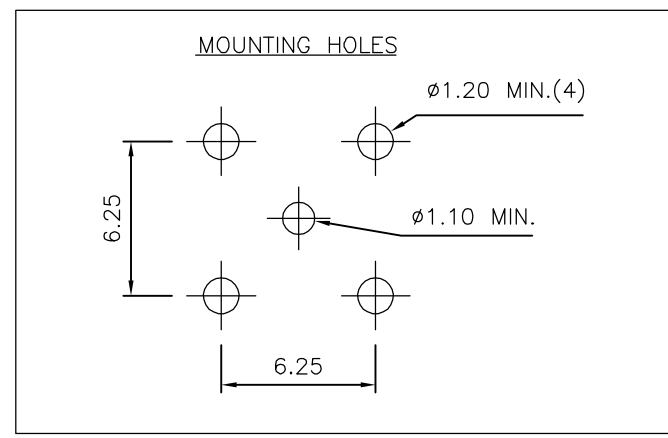
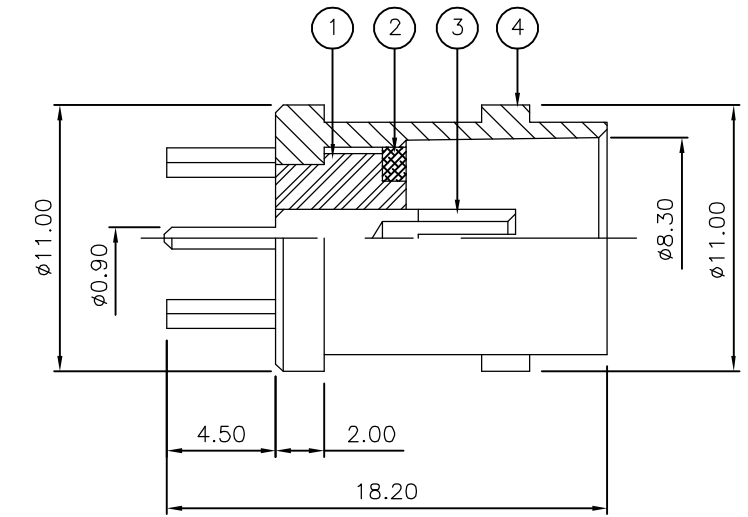
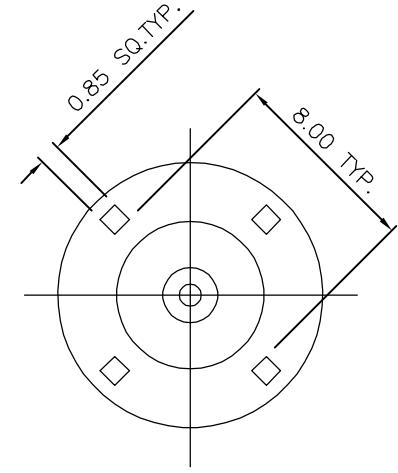


THIS DRAWING IS UNPUBLISHED. RELEASED FOR PUBLICATION JUNE ,2006.
 © COPYRIGHT 2006 BY TYCO ELECTRONICS CORPORATION. ALL RIGHTS RESERVED.

LOC	DIST	REVISIONS					
E	B	P	LTR	DESCRIPTION	DATE	DWN	APVD
		B		ECR-06-013423	14JUN06	JMS	FWK

NOTES:

- ① PACK IN ACCORDANCE WITH AMP SPEC 107-3275
- ② 100 TRAY PACK IN ACCORDANCE WITH AMP SPEC 107-3275
- ③ Au PLATING
- ④ Ni PLATING
- 5 ELECTRICAL CHARACTERISTICS
 FREQUENCY RANGE: DC - 2 GHz
 NOMINAL IMPEDANCE: 75 Ohm
 INSULATION RESISTANCE: 5000 MOhm
 WORKING VOLTAGE: 500 Volts RMS at Sea Level
 DIELECTRIC WITHSTAND VOLTAGE: 1500 Volts RMS Max
 CONTACT RESISTANCE:
 CENTRE CONTACT: 1.50 mOhm Max
 OUTER CONTACT: 0.20 mOhm Max
 VSWR @ xGHz: N/A
 INSERTION LOSS xdb: N/A
- 6 MECHANICAL CHARATERISTICS
 COUPLING RETENTION FORCE: N/A
 CABLE RETENETION FORCE: N/A
 DURABILITY: 500 Cycles Min
- 7 ENVIRONMENTAL CHARACTERISTICS
 OPERATING TEMPERATURE: -65 to +165 DegC
- 8 FOR TECHNICAL DATA REFER TO YOUR LOCAL TYCO ELECTRONICS SALES OFFICE
- 9 ALL DIMENSIONS ARE NOMINAL FOR REFERENCE ONLY UNLESS OTHERWISE STATED



QTY	PLC	DESCRIPTION	ITEM
1	1	BRASS	④ BODY
1	1	BRASS	③ CONTACT
1	1	BRASS	② SLEEVE
1	1	PTFE	① INSULATION
6--0	1--0	MATERIAL	DESCRIPTION
			ITEM

THIS DRAWING IS A CONTROLLED DOCUMENT.		DWN	J.SANDWELL	14JUN06	Tyco Electronics Corporation Bideford EX39 4HE								
DIMENSIONS: mm		CHK	S.PARLOW	14JUN06									
TOLERANCES UNLESS OTHERWISE SPECIFIED:		APVD	F.WHEELER-KING	14JUN06									
0 PLC ± - 1 PLC ± - 2 PLC ± - 3 PLC ± - 4 PLC ± - ANGLES ± -		PRODUCT SPEC	NAME			BNC STRAIGHT PCB SOCKET 75 OHM							
MATERIAL	SEE TABLE	FINISH	-		SIZE	A3	CAGE CODE	00779	DRAWING NO	C-1478051	RESTRICTED TO	-	
CUSTOMER DRAWING						SCALE	NTS	SHEET	1	OF	1	REV	B