

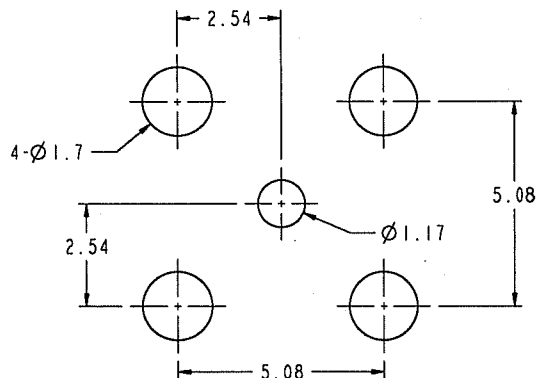
NOTES:

1. MATERIAL AND FINISH (PLATING THICKNESS IN MICRO-INCHES):
 BODY - BRASS, GOLD PLATED
 CONTACT - BRASS, GOLD PLATING
 INSULATOR - TFE-FLUOROCARBON
2. ELECTRICAL:
 A. IMPEDANCE: 50 OHM
 B. FREQUENCY RANGE: DC 0 - 4 GHz
 C. DIELECTRIC WITHSTANDING VOLTAGE: 1000 VRMS, MIN.
3. MECHANICAL:
 A. DURABILITY: 500 CYCLES MIN.
 B. TEMPERATURE RANGE: -65° C TO +165° C
4. PACKAGING:
 A. QUANTITY: SINGLE PACK
 B. MARKING: 903-420J-52P
 AND DATE CODE & WORK ORDER NUMBER

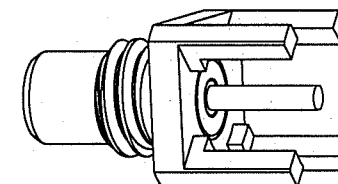
THIRD ANGLE PROJ.

REVISIONS

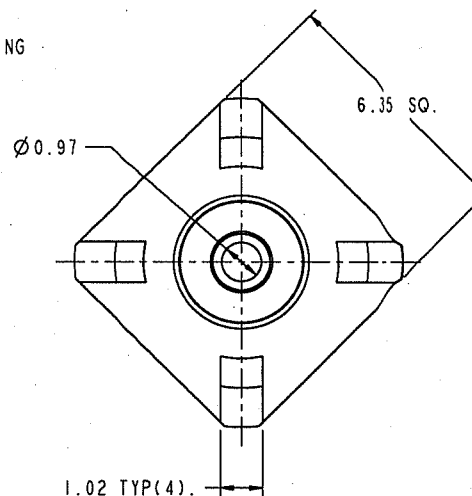
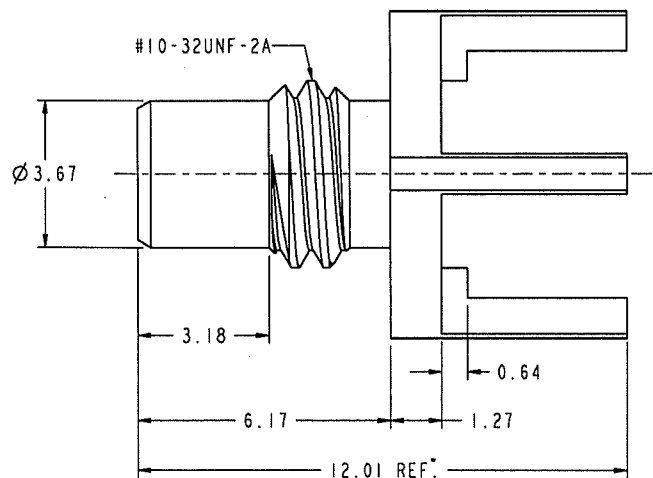
REV	DESCRIPTION	DATE	ECO	APPR
A	OFFICIAL ENG. RELEASE	5-Feb-93	39242	PB/
B	Ø 3.67±0.02 WAS Ø 3.68	26-Aug-05	45696	CPM
C	ITEM 1 & 3 PLATE WAS 'BA'	7-Sep-05	45718	CPM
D	TRANSFER TO ARFA ISSUE	14-Jun-08	--	



RECOMMENDED MOUNTING HOLE DIMENSIONS



SCALE 5.000



CUSTOMER OUTLINE DRAWING

ALL OTHER SHEETS ARE FOR INTERNAL USE ONLY

UNLESS OTHERWISE SPECIFIED, DIMENSIONS ARE IN METRIC AND TOLERANCES ARE:
 0.5 - 6mm ±0.1mm 6 - 30mm ±0.2mm 30 - 120mm ±0.3mm ANGLES ±1°

NOTICE - These drawings, specifications, or other data (1) are, and remain the property of Amphenol Corp. (2) must be returned upon request; and (3) are confidential and not to be disclosed to any person other than those to whom they are given by Amphenol Corp. The furnishing of these drawings, specifications, or other data by Amphenol Corp., or to any other person in any manner, for any purpose is not to be regarded by implication or otherwise in any manner licensing, granting rights to permitting such holder or any other person to manufacture, use or sell any product, process or design, patented or otherwise, that may in any way be related to or disclosed by said drawings, specifications, or other data.

MATERIAL

DRAWN
P. BRENZEL

DATE
4-Nov-92

TITLE
SMC JACK
PC MOUNT

Amphenol RF
Danbury CT USA, Tainan, Taiwan, Shenzhen, China
www.amphenolrf.com

REFERENCE
EAR 111-963495

APPROVED
RAV

DATE
3-Feb-93

SCALE: 8.0:1.0 SHEET 2 OF 2

DRAWING NO. 903-420J-52P

CAD FILE
1:SMC/903-420J-52P

DWG SIZE B CODE ID 74868 REV D

ITEM NO. 903-420J-52P

PART NO. 903-420J-52P