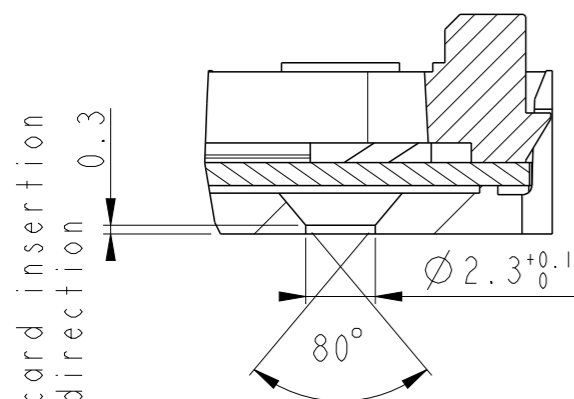
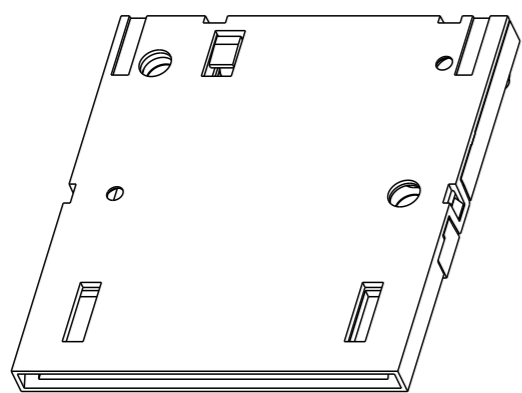
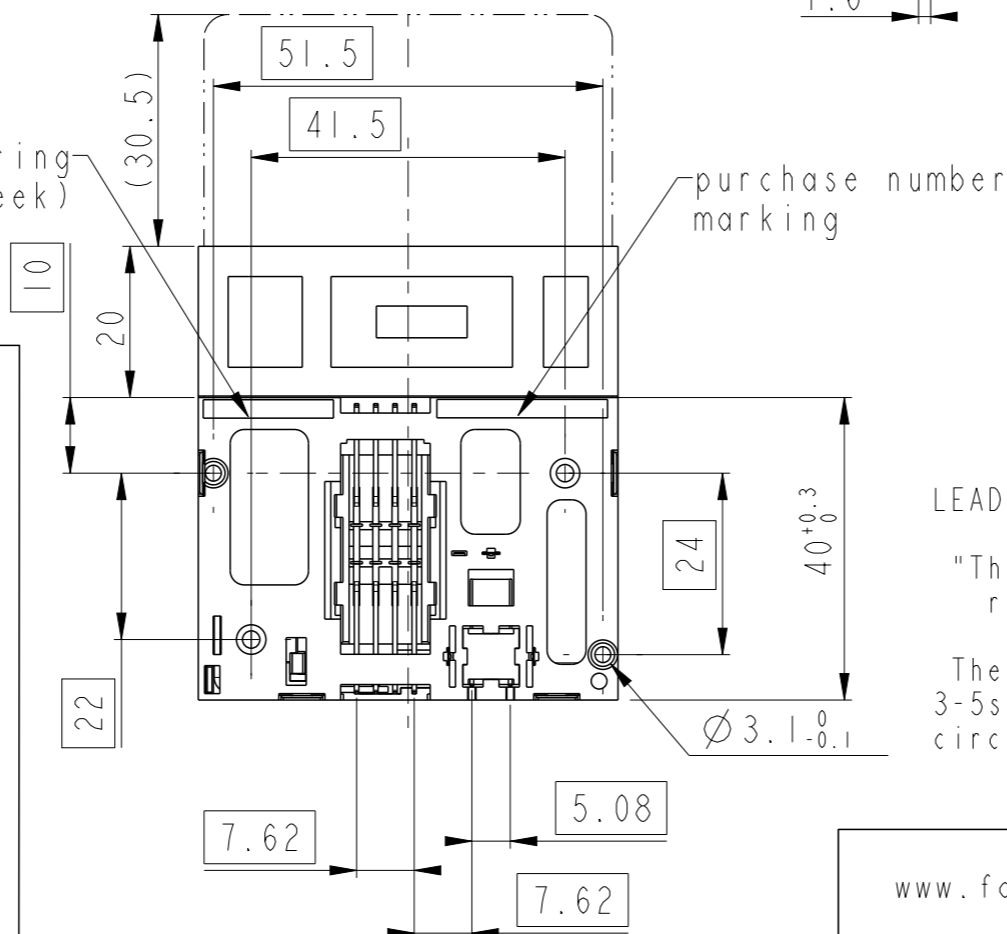
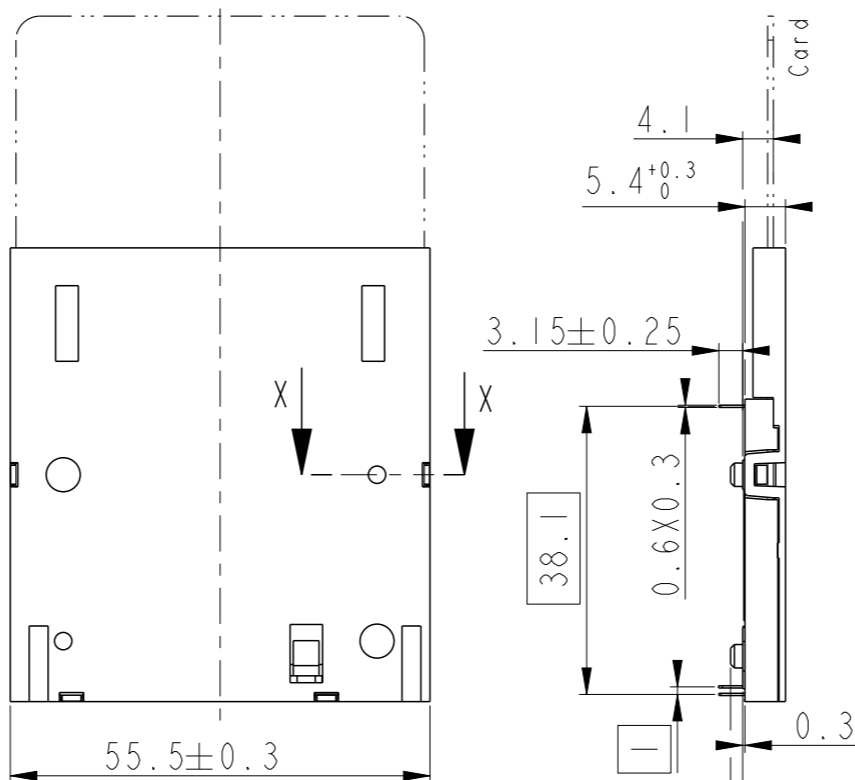
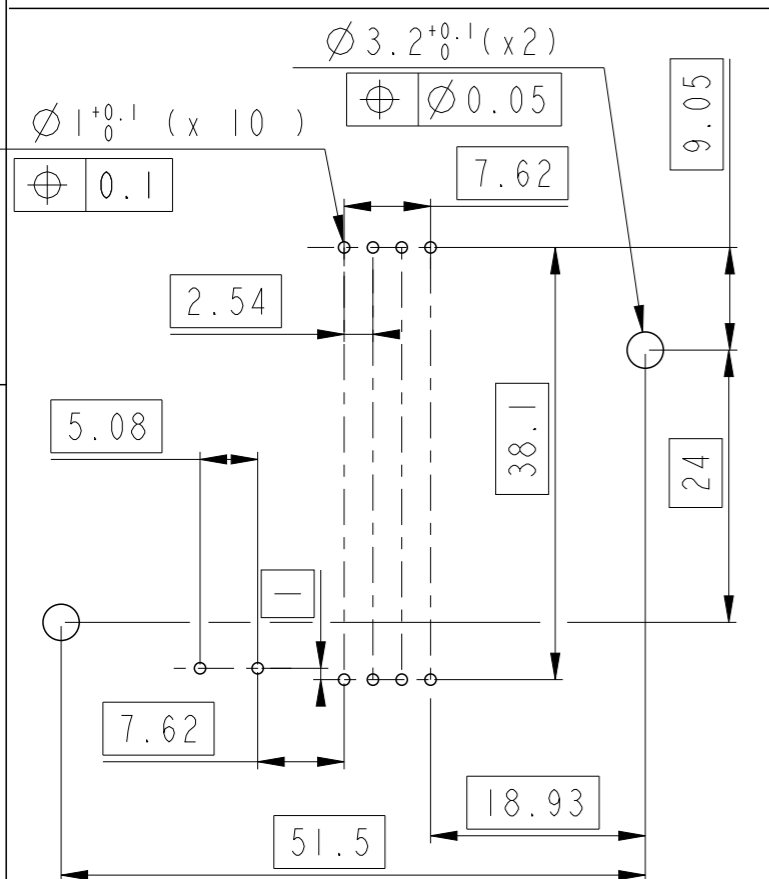


LEAD FREE VERSION	MARKING
7432E0525S01LF	YES



SECTION X-X
SCALE 4:1

Recommended PCB Layout
(Component side)



General Tolerances

0 to 10mm:	±0.1mm
10 to 30mm:	±0.15mm
30 to 60mm:	±0.2mm
60 and more:	±0.3mm

rev	ecn no	dr	date
H	109-0192	RPK	2009/09/17
C	LS3088	JTA	2003/11/28
D	105-0176	NT	2005/09/30
E	106-0078	DTK	2006/06/19
F	108-0136	SSC	2008/10/10
G	108-0166	SSC	2008/12/13

www.fciconnect.com		surface -- ✓	tolerance std	projection	mm
		ISO 1302	ISO 406 ISO 1101	⊕ - ⊖	↔
TOLERANCES UNLESS OTHERWISE SPECIFIED					
Dr	J. TARON	2002/04/29	ANGULAR	0.X	±
Eng	LE GALLIC	2002/04/29	LINEAR	0.XX	±
Chr	S.S.CHERIAN	2008/12/13	0° ±°	0.XXX	±
Appr	S.S.CHERIAN	2008/12/13	Product family	MOBILE I/O	Spec ref
			size		Scale
			A3		1:1
			ECN		109-0192
			Product family		MOBILE I/O
			Spec ref		--
FCi			E05 CONNECTOR WITH PEG		Rev.
			SMART CARD READER		H
catalog no			See Table		
			CUSTOMER		sheet 1 of 1
			VJW54006		

GENERAL :

High cycle life duration smart card connector with landing type contacts mechanism. The landing type connector also provides the feature of recessed contacts when card is not inserted which protects them against vandalism. Smart card connector is in accordance with ISO 7816-2. Smart card for reference purposes only.

ELECTRICAL PROPERTIES:

Insulation resistance : > 1000MΩ
 Dielectric withstanding voltage : >750 Vrms
 Current carrying capacity : Min 10μA, Max 1A
 Contact resistance : < 100mΩ

MECHANICAL PROPERTIES :

Operating force : Insertion : F < 10N
 Withdrawal : 1 < F < 6.5N
 Contact Normal force : 0.2 < F < 0.3 for 0.6mm of deflection
 Durability : 200 000 mating cycles

MATERIAL :

Head reader : High temp. thermoplastic, Colour Grey, Rated UL94V0
 Cover : Thermoplastic, Rated UL94V0
 Contacts : Copper alloy,
 Plating : Gold over Nickel or Equivalent on contact area
 SnPb(60/40) over Nickel on solder tails (FOR LEADED VERSION)
 Matte Tin min. on solder tails (FOR LEAD FREE VERSION)

ENVIRONMENT :

Operating temperature : -40°C / +85°C
 Climatic conditions : UTE 93-421

PACKAGING :

Plastic cavity tray

LEAD FREE VERSION:

"This product meets European Union Directives and other country regulations as described in GS-22-008"

The housing will withstand exposure to 260°C peak temperature for 3-5seconds in a wave solder application with a 1.6mm minimum thick circuit board.

Copyright FCI.