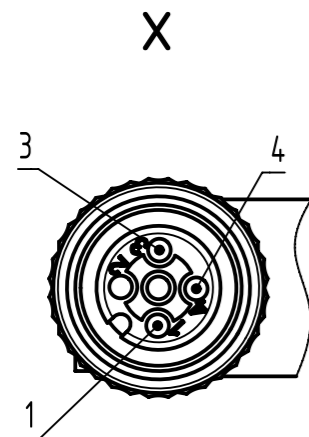
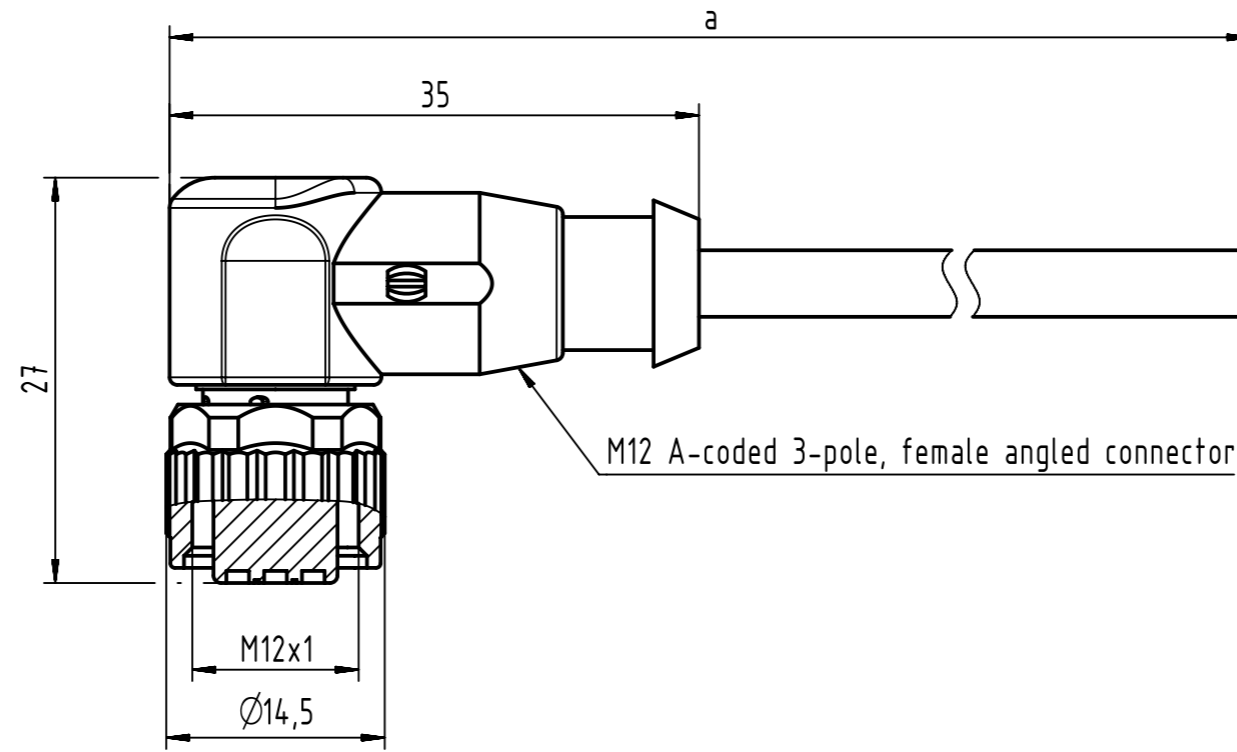


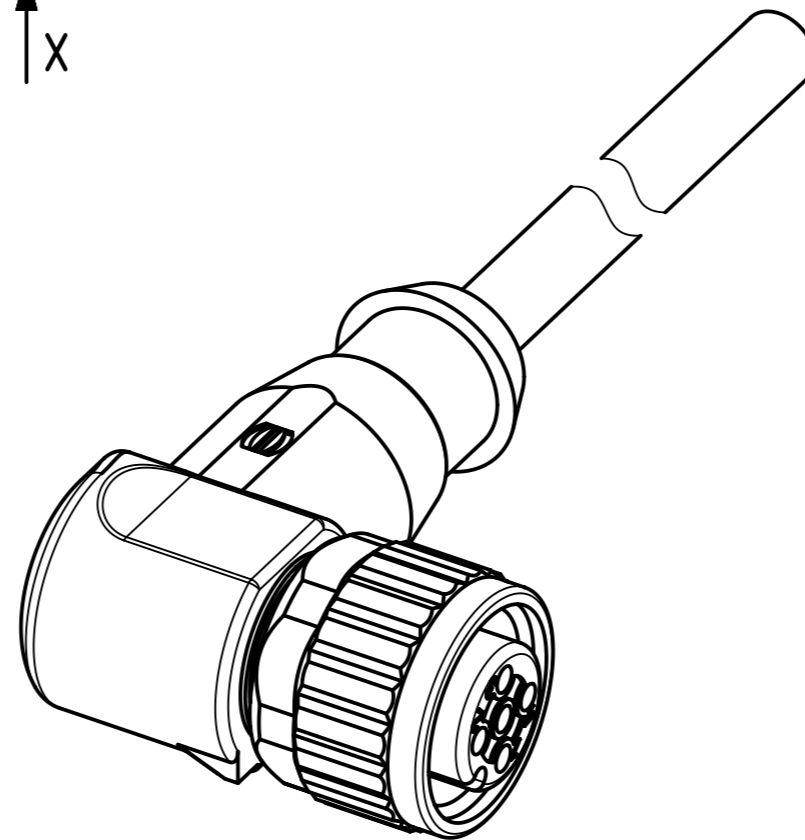
Connector Location A

Connector Location B



Loading-Plan:

- 1 brown
- 3 blue
- 4 black



- Protection level: IP67
- Temperature range: -25°C ... +80°C

length in "1m" step	40	XXX=400
	39	XXX=390
	.	.
	12	XXX=120
	11	XXX=110
length in "0.1m" step	10	XXX=100
	9.9	XXX=099
	9.8	XXX=098
	.	.
	0.4	XXX=004
	0.3	XXX=003
	0.2	XXX=002
0.1	XXX=001	
Step	a [m]	XXX

4.0 to 40	+1%
0.1 to 3.9	+0.04
a [m]	Tolerance

Part no.	213487003XXXXXX
Type of cable	XX
PVC grey, 3x0.34mm ²	XX=83
PUR black, 3x0.34mm ²	XX=90

	All Dimensions in mm	Tech. Character.		Free size tol.		According to production drawing	
	All rights reserved Department HCS - RO	Created by MUNTEANV	Inspected by COSTEA	Standardisation AVRAM	Date 2017-10-23	State Final Release	
HARTING Customised Solutions D-32427 Minden		Title M12 A-coded Cable Assembly				Doc-Key / ECM-Nr. 100578809/UGD/009/B 500000126944	
		Type TB	Number 213487003XXXXXX			Rev. B	Page 1/1